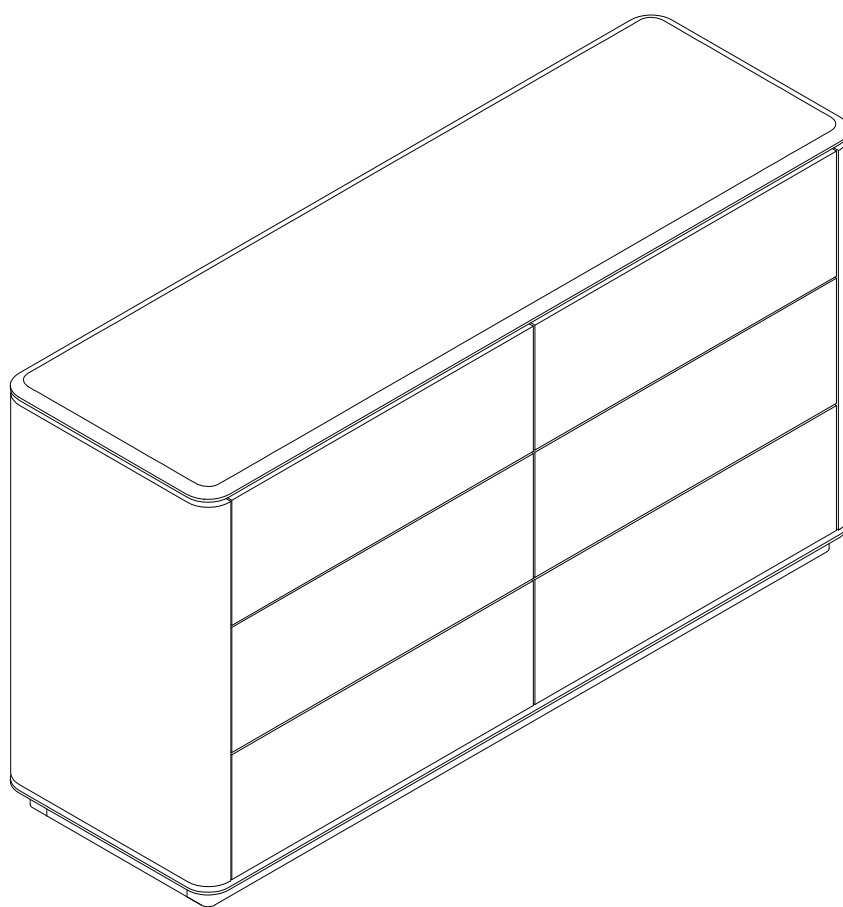
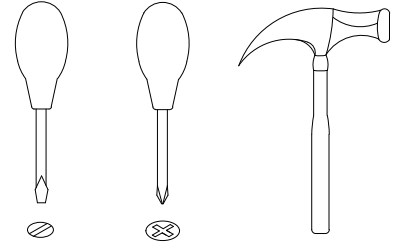
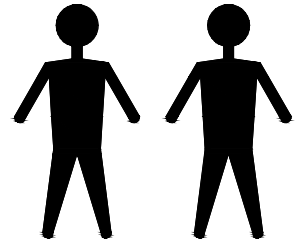




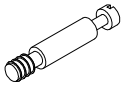
# CP2308C2



# # CP2308C2



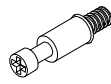
A x16  
Spec:  $\varnothing 8 \times 30$



B x14  
Spec:  $\varnothing 7 \times L30$



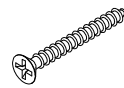
C x16  
Spec:  $\varnothing 15 \times H12$



D x36  
Spec:  $\varnothing 6 \times L28$



E x36  
Spec:  $\varnothing 12 \times H9$



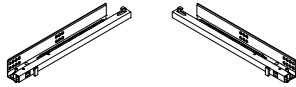
F x24  
Spec:  $\varnothing 3.5 \times L35$



G x72  
Spec:  $\varnothing 6 \times 30$



H x24  
Spec:  $\varnothing 6 \times L9$



I x6  
Spec: L350



J x16  
Spec:  $\varnothing 3.5 \times L16$



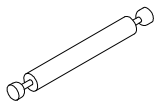
K x16  
Spec: H13



L x44  
Spec:



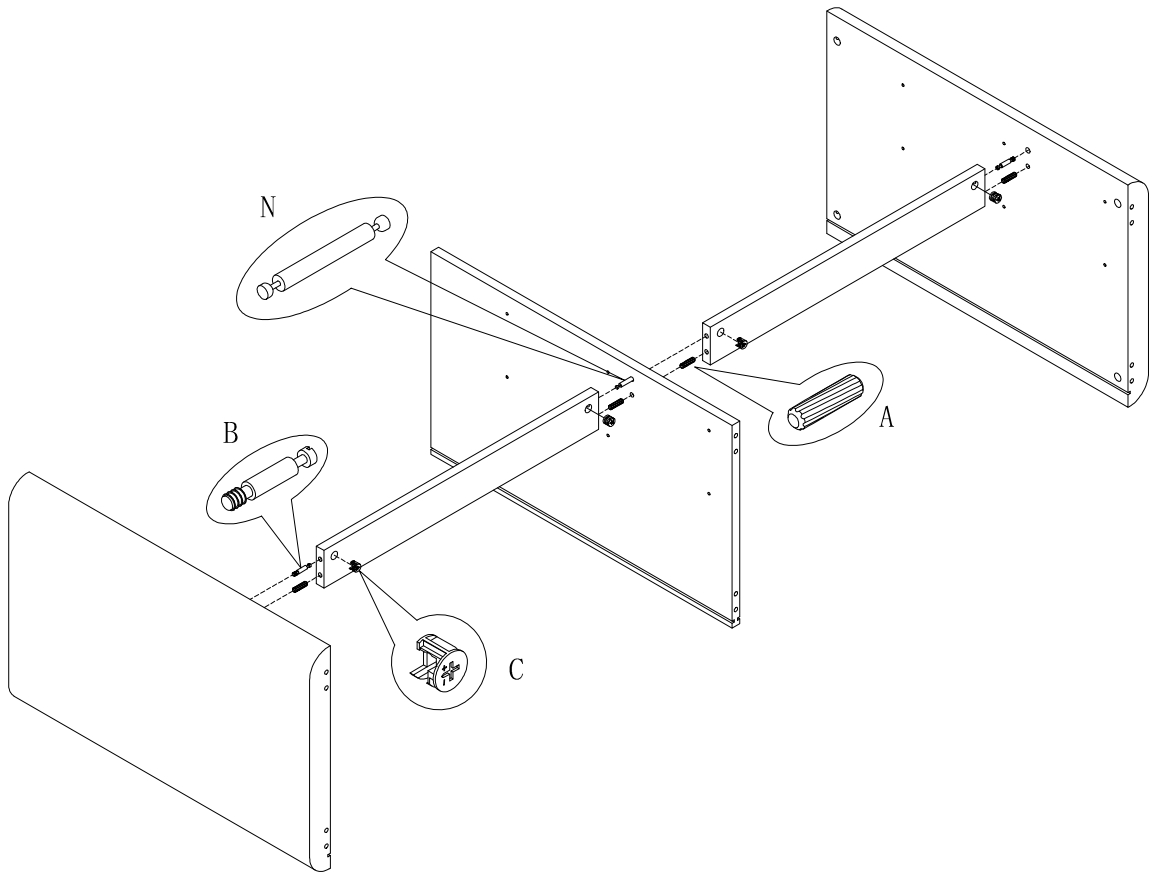
M x8  
Spec:



N x1  
Spec:  $\varnothing 7 \times L66$

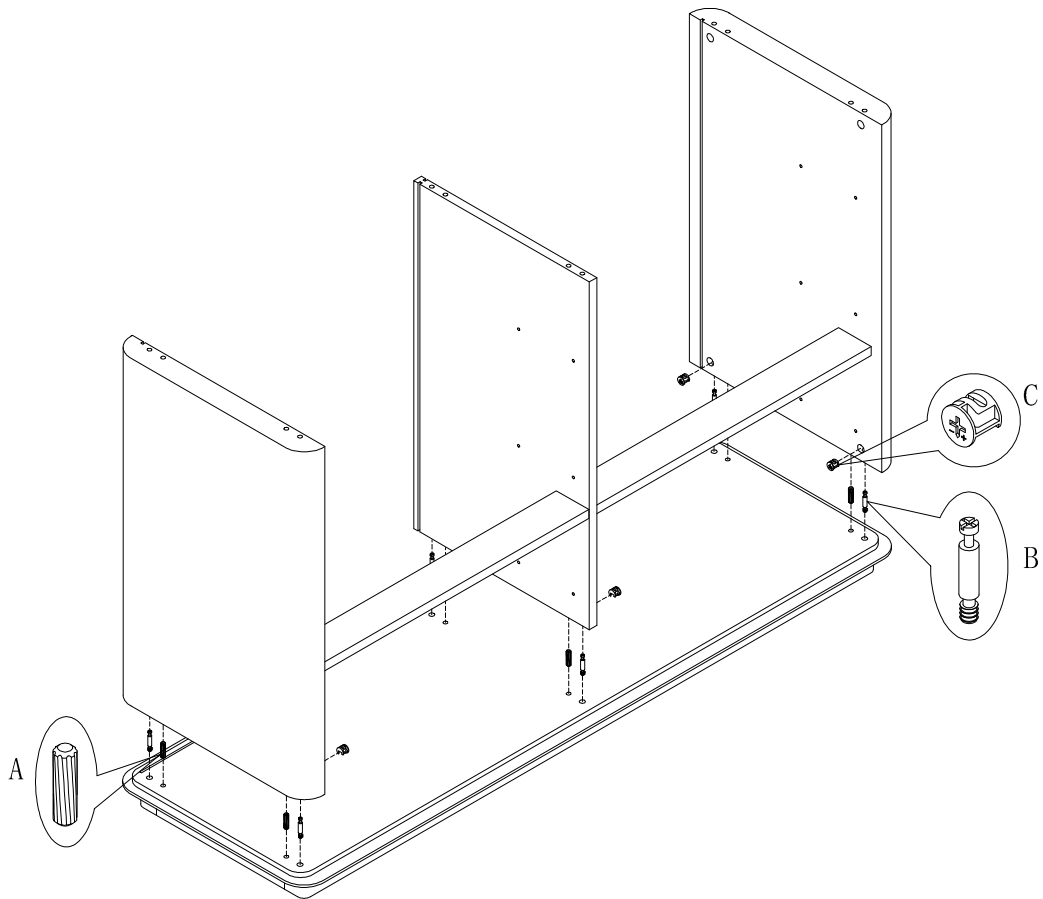


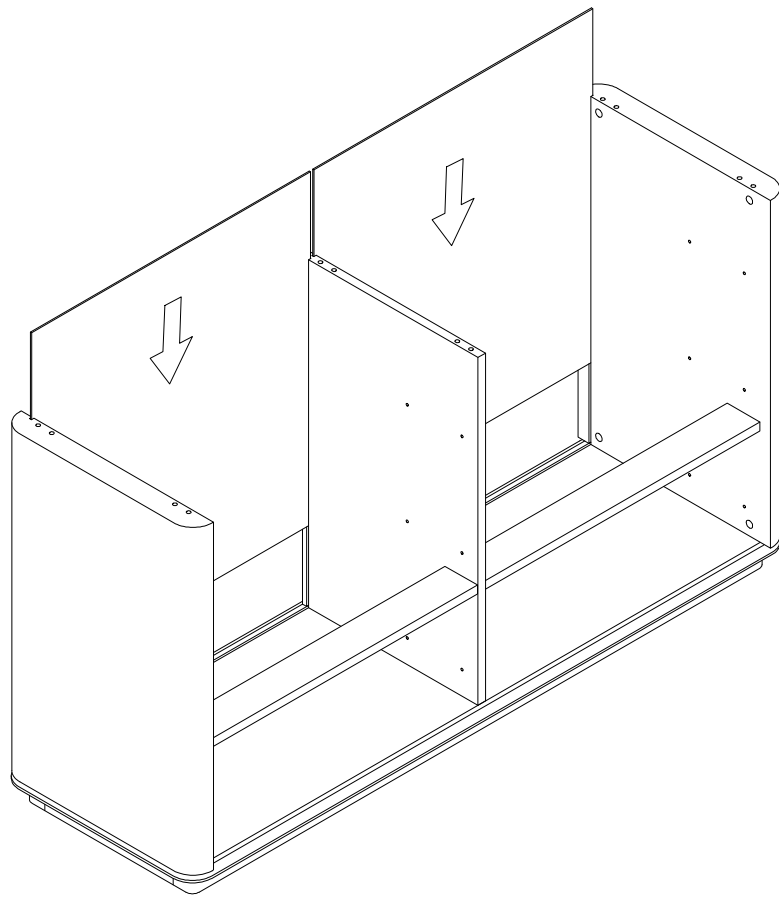
AAA x24  
Spec:  $\varnothing 3.8 \times L12$



1

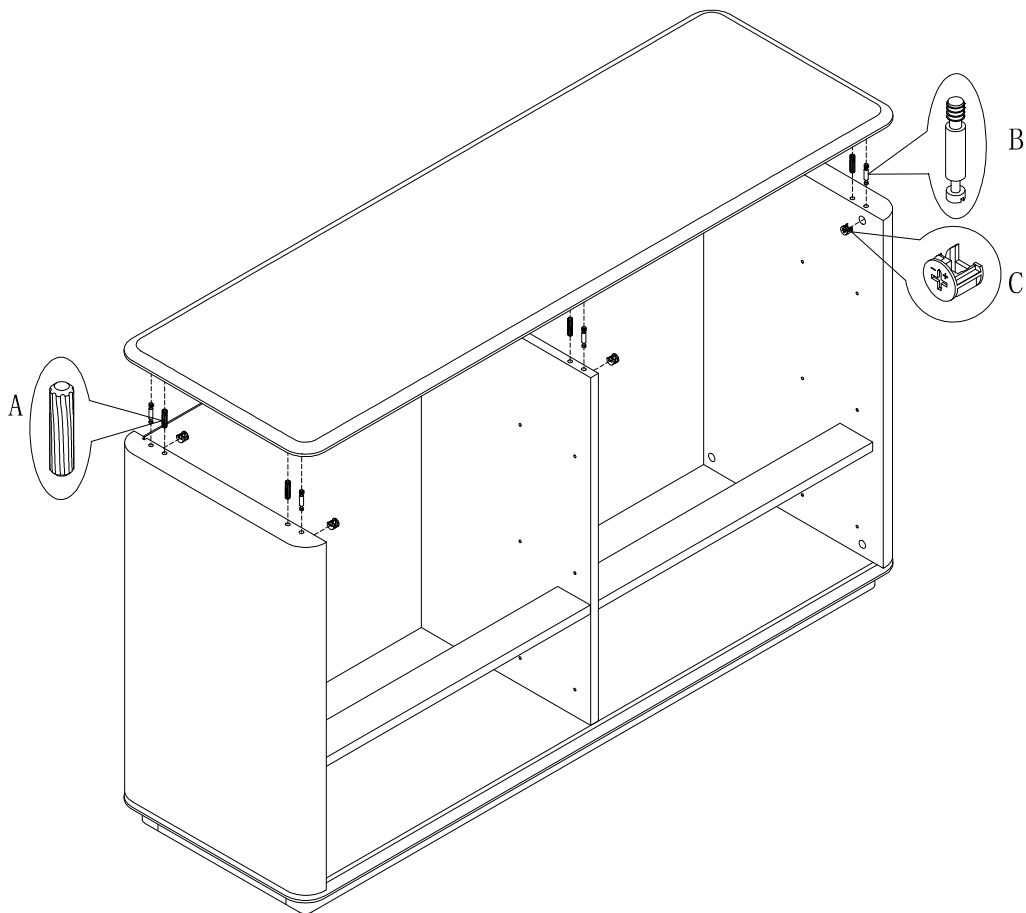
2

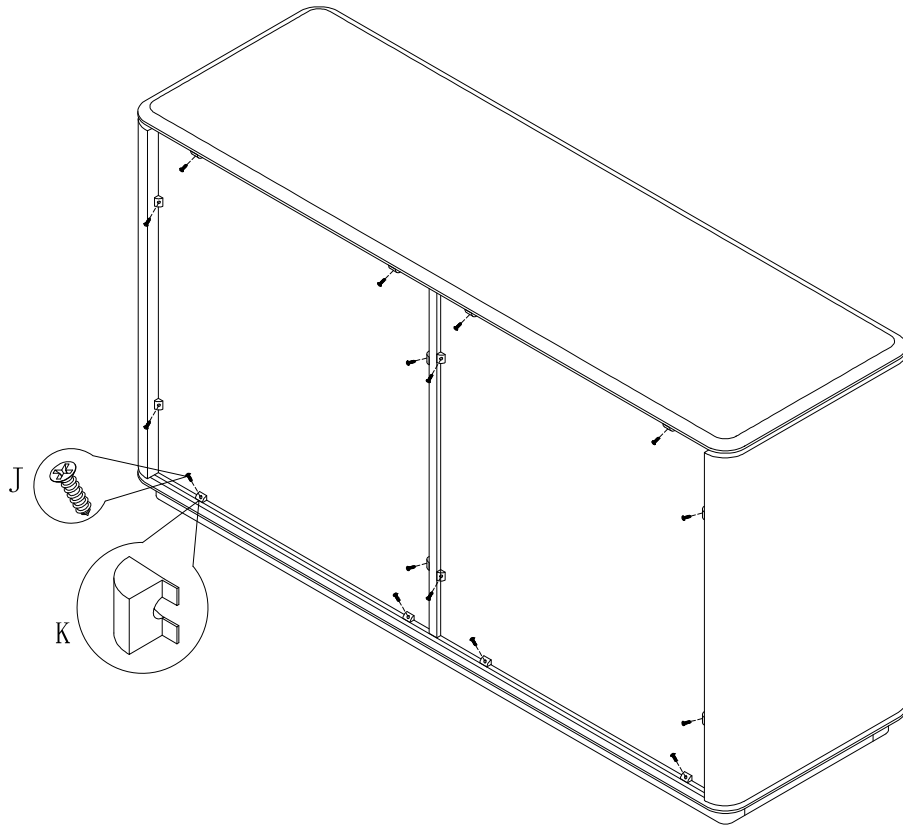




3

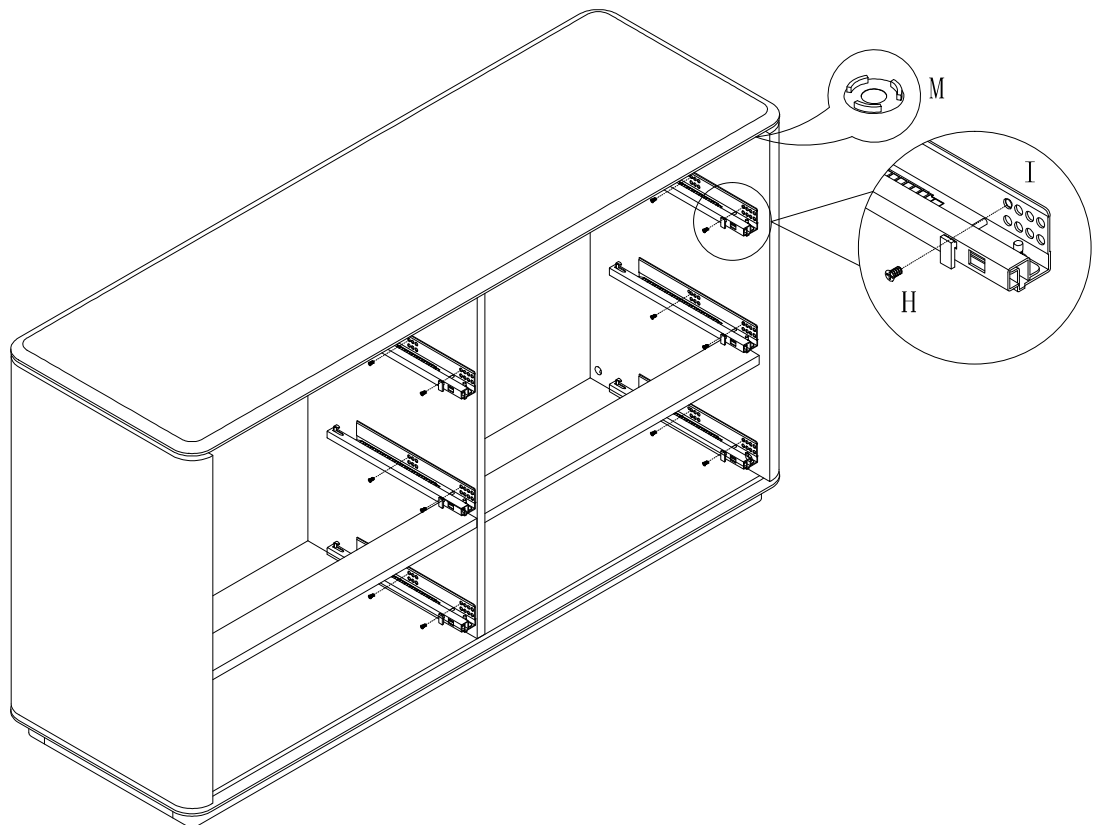
4

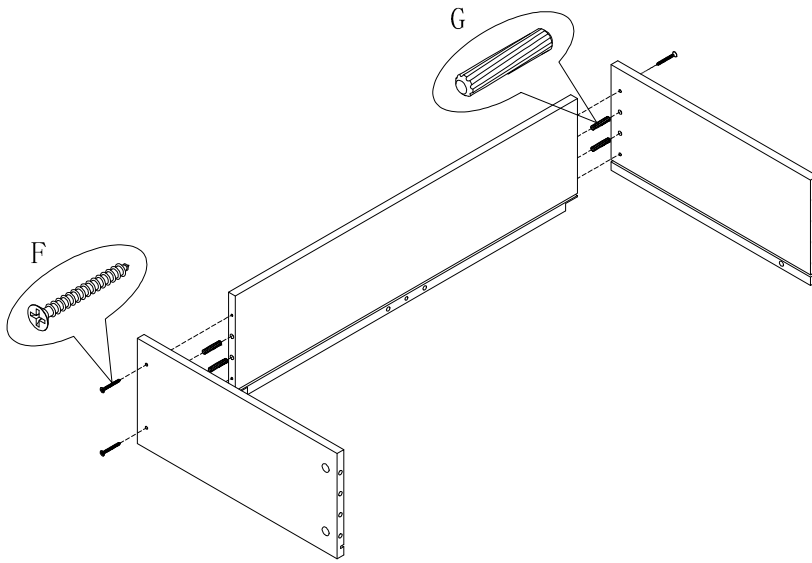




5

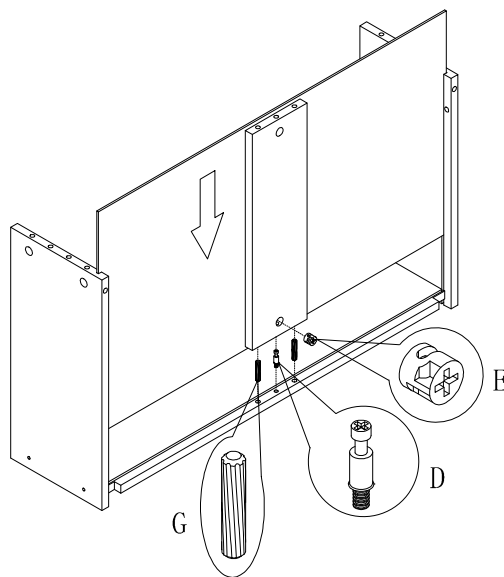
6

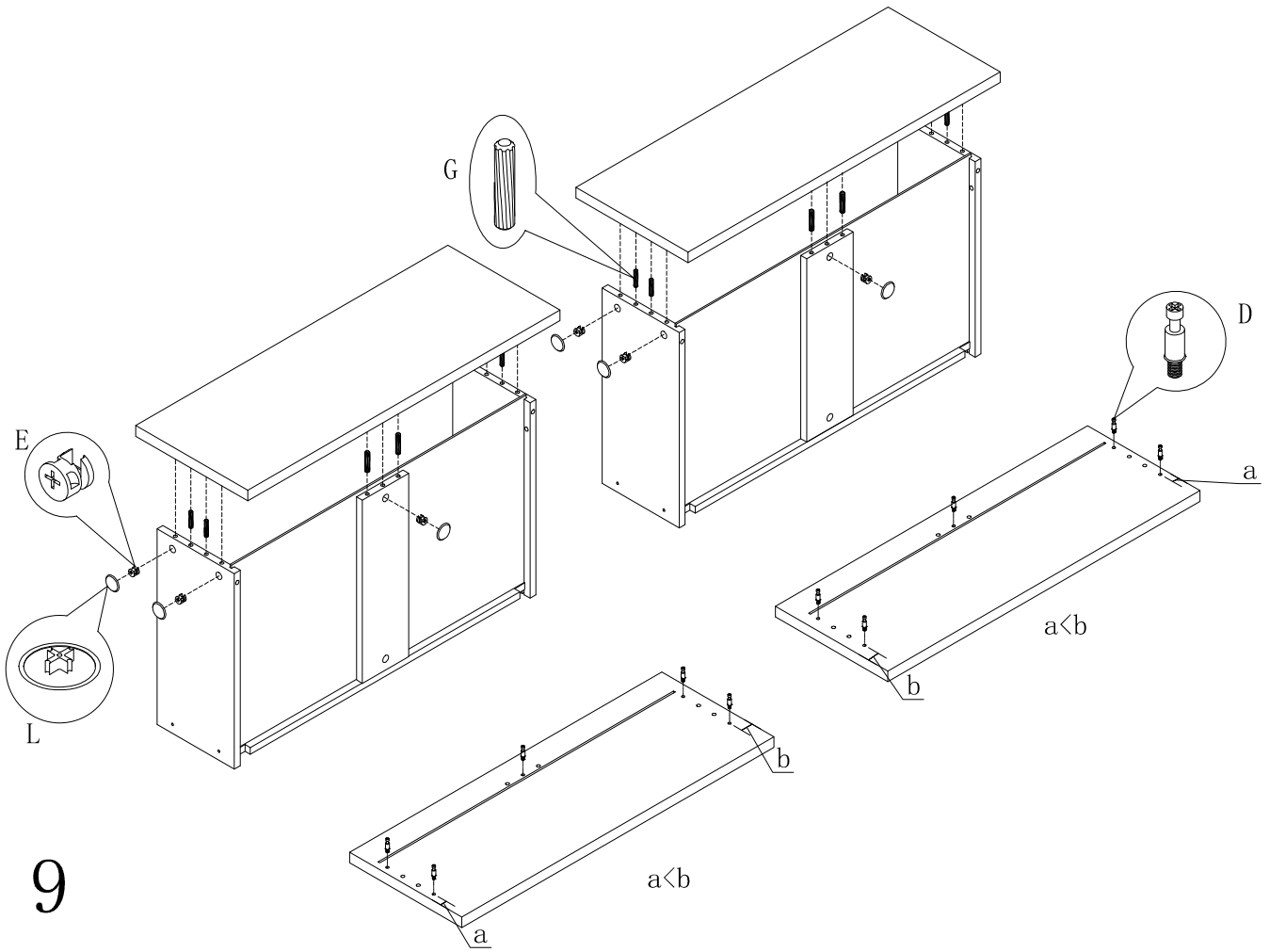




7

8





10

