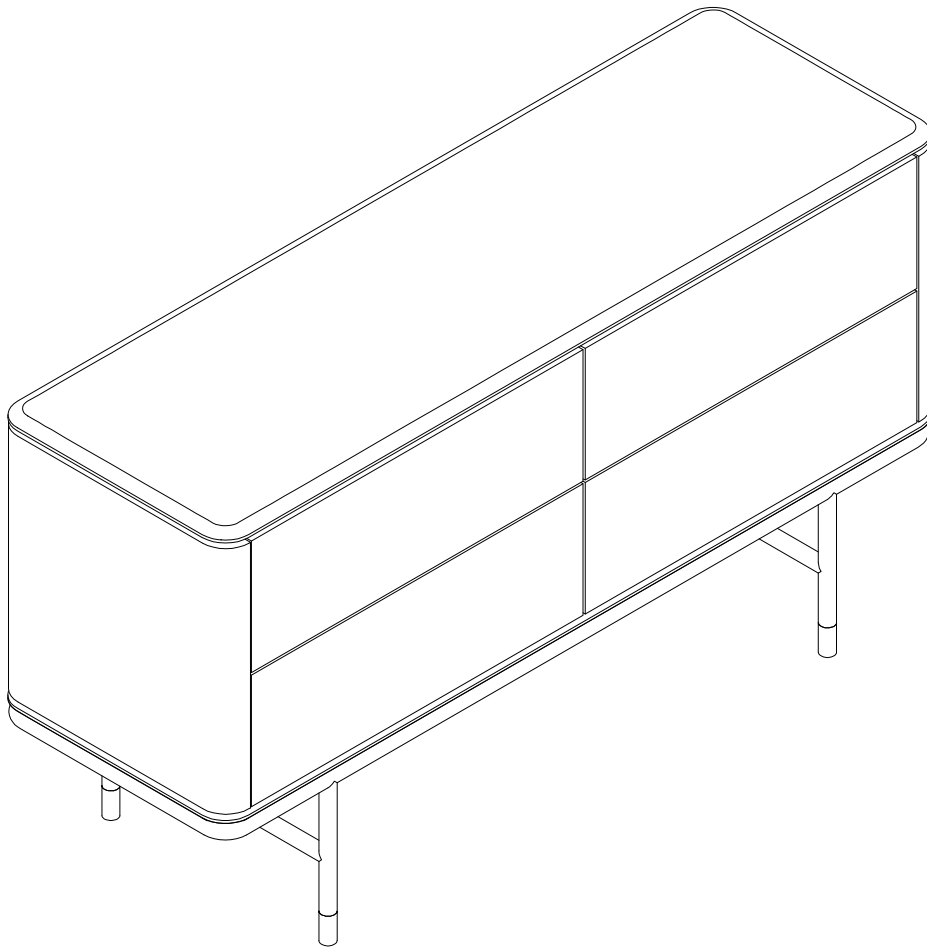
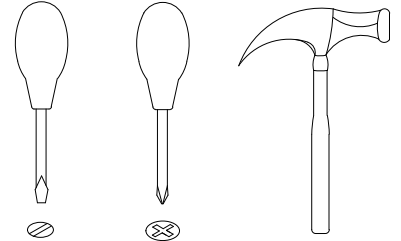
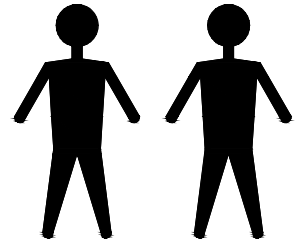




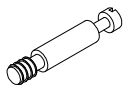
# CP2308C3



# # CP2308C3



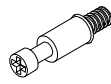
A x16  
Spec:  $\varnothing 8 \times 30$



B x14  
Spec:  $\varnothing 7 \times L30$



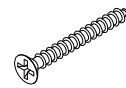
C x16  
Spec:  $\varnothing 15 \times H12$



D x24  
Spec:  $\varnothing 6 \times L28$



E x24  
Spec:  $\varnothing 12 \times H9$



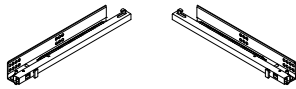
F x16  
Spec:  $\varnothing 3.5 \times L35$



G x48  
Spec:  $\varnothing 6 \times 30$



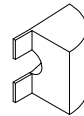
H x16  
Spec:  $\varnothing 6 \times L9$



I x4  
Spec: L350



J x12  
Spec:  $\varnothing 3.5 \times L16$



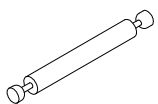
K x12  
Spec: H13



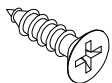
L x32  
Spec:



M x8  
Spec:



N x1  
Spec:  $\varnothing 7 \times L66$



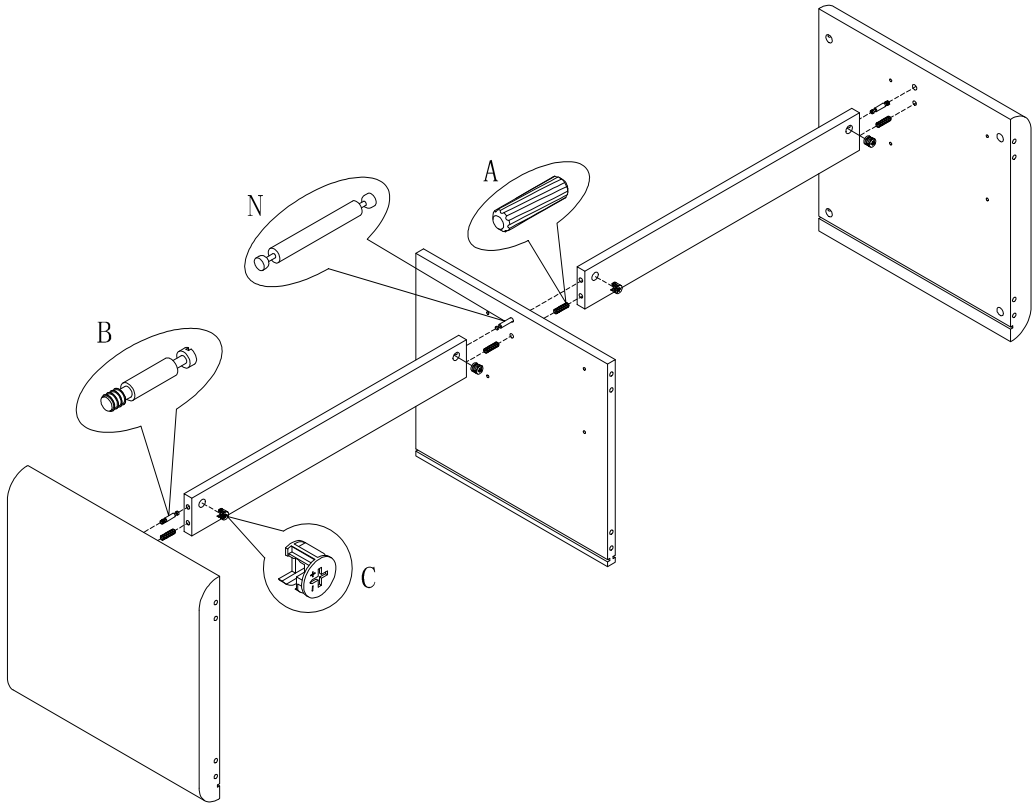
O x20  
Spec:  $\varnothing 3.8 \times 19$



P x4  
Spec:  $\varnothing 15 \times 3$

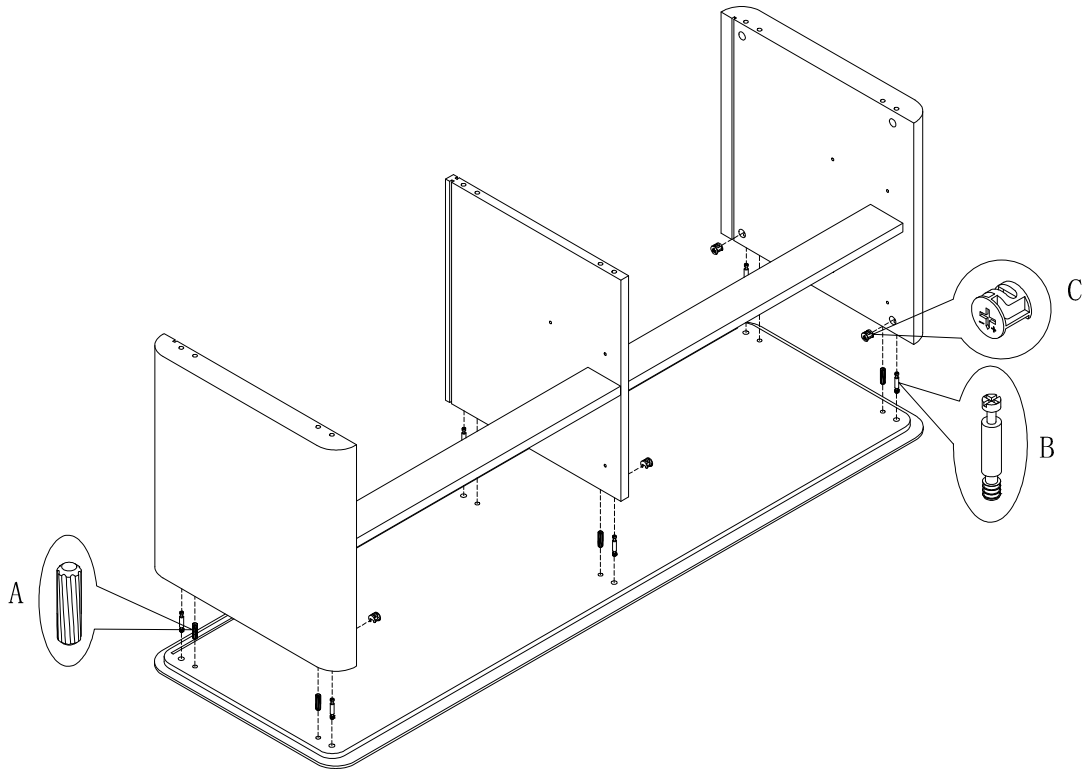


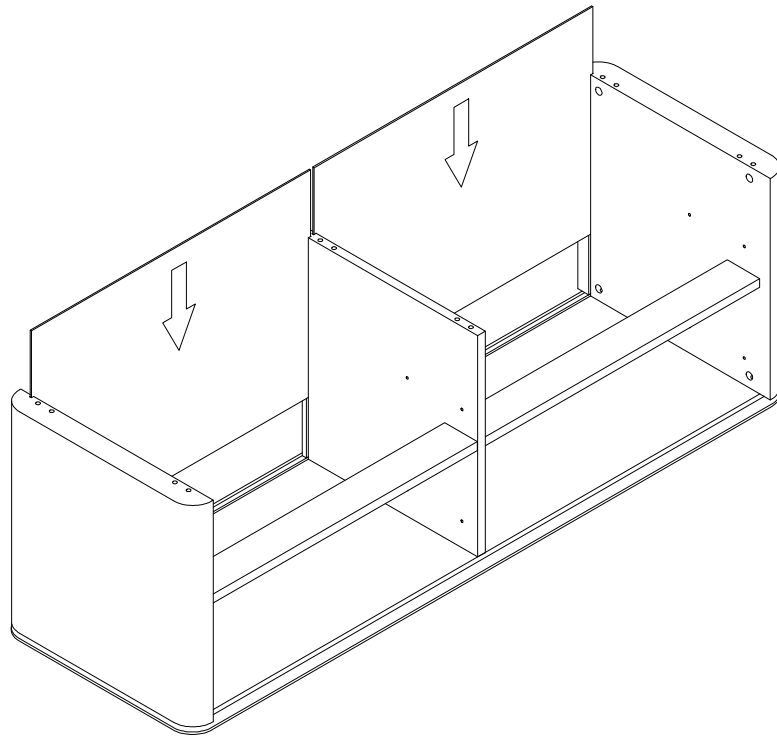
AAA x16  
Spec:  $\varnothing 3.8 \times L12$



1

2

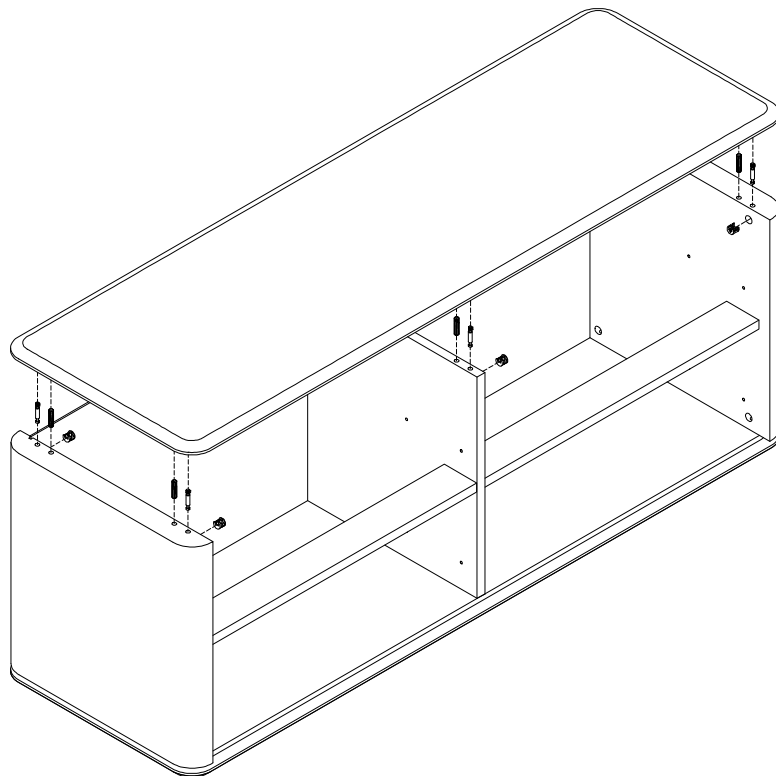


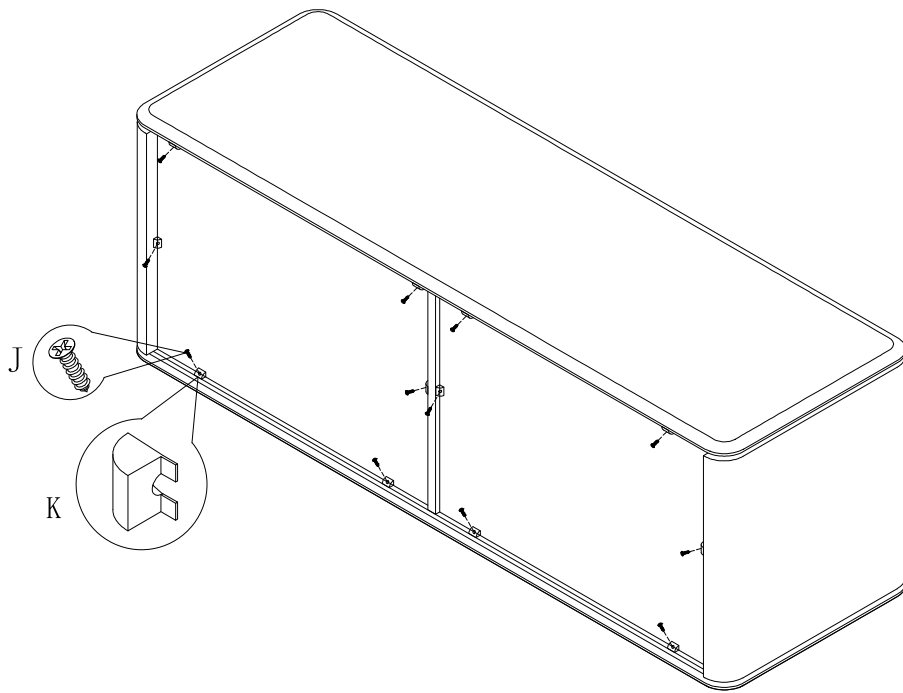


3

---

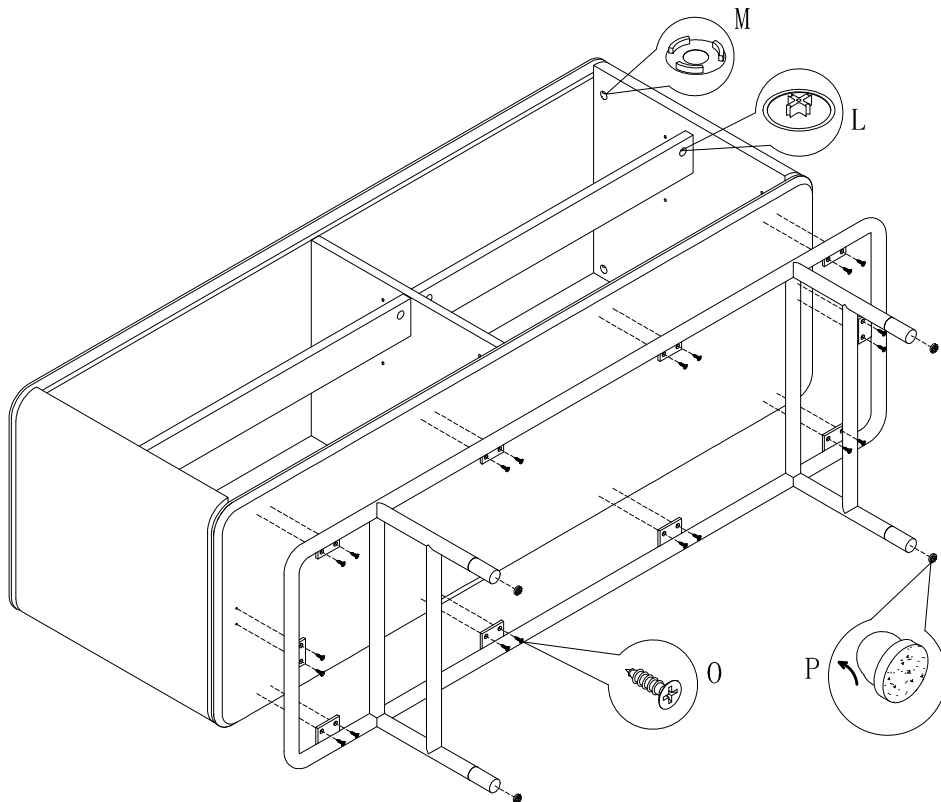
4

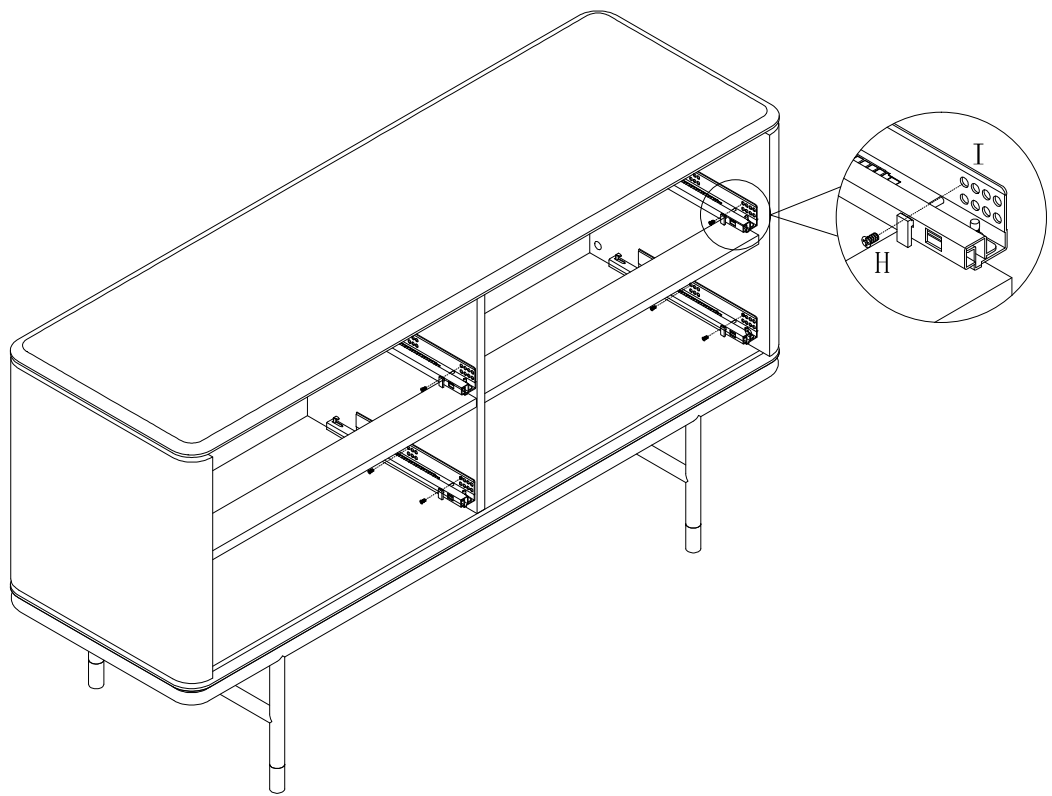




5

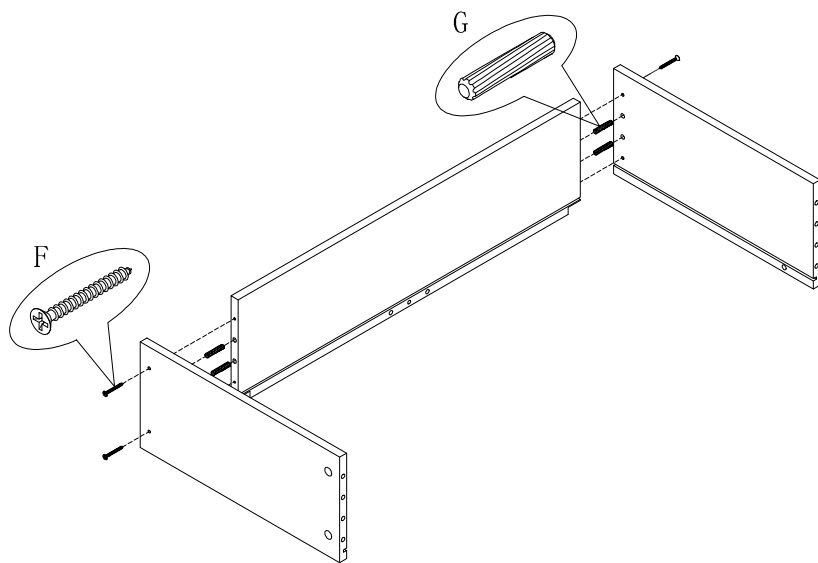
6

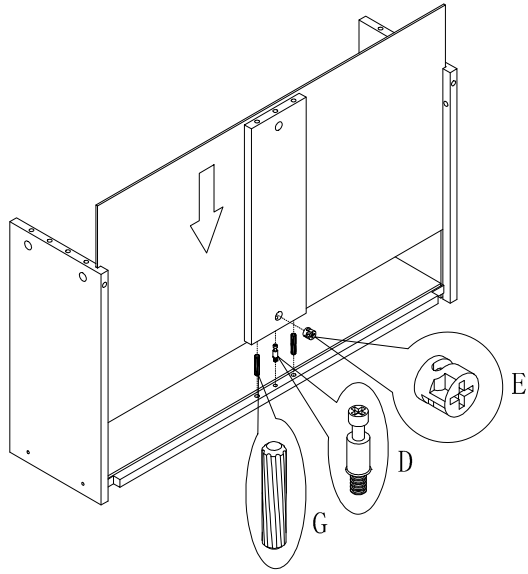




7

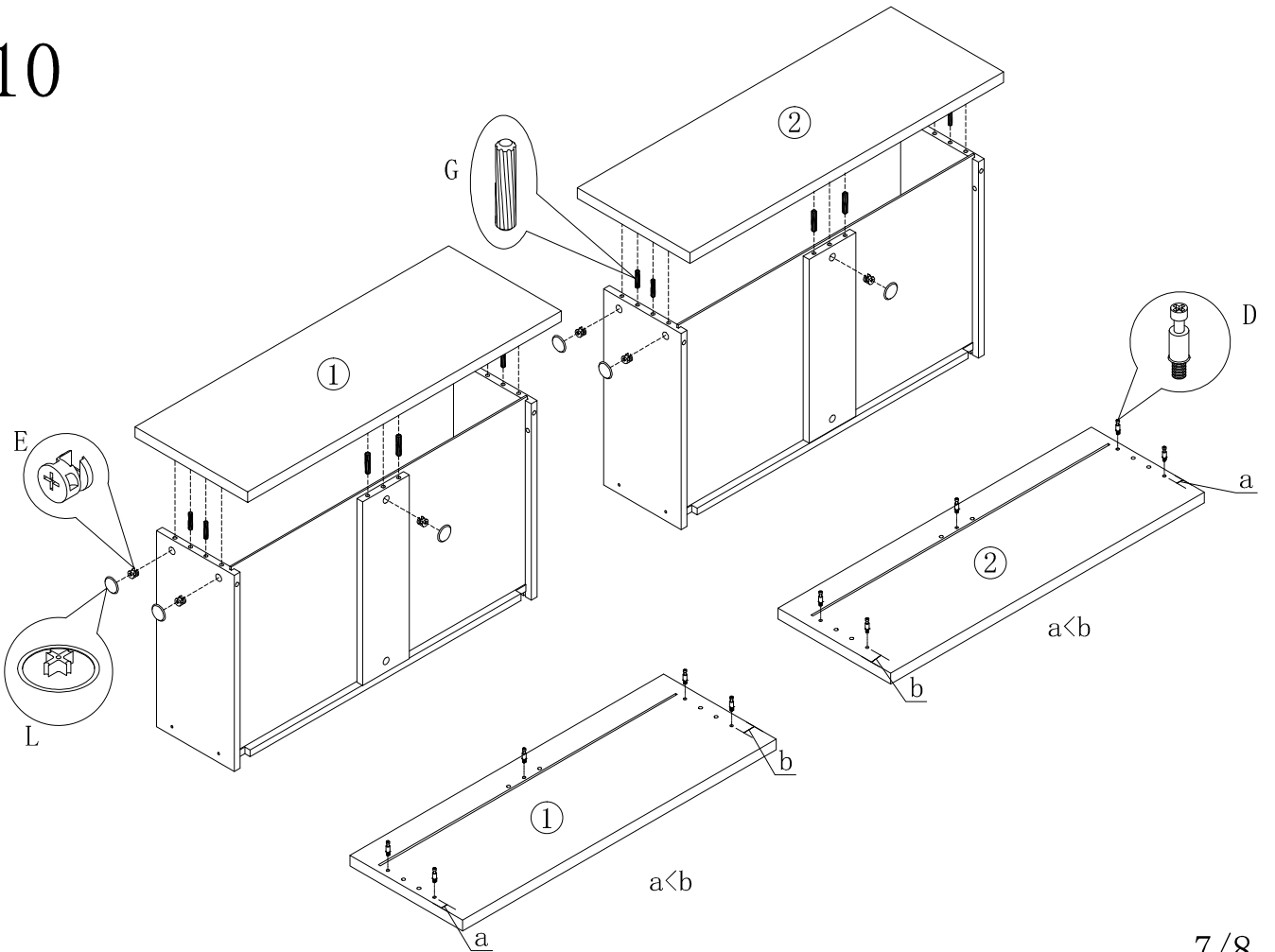
8

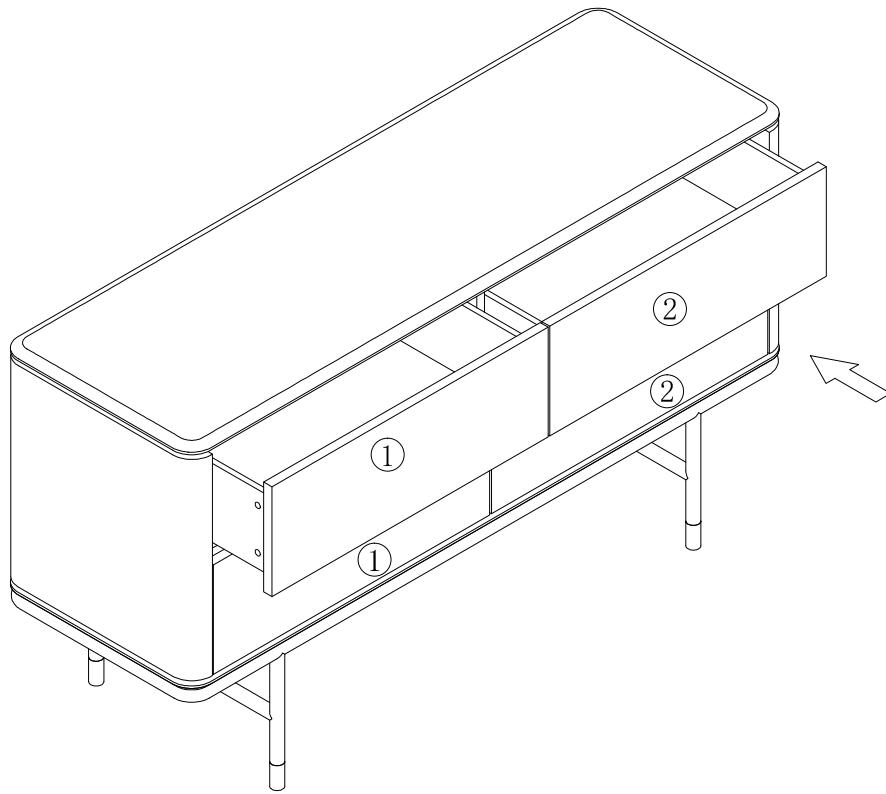




9

10





11

---