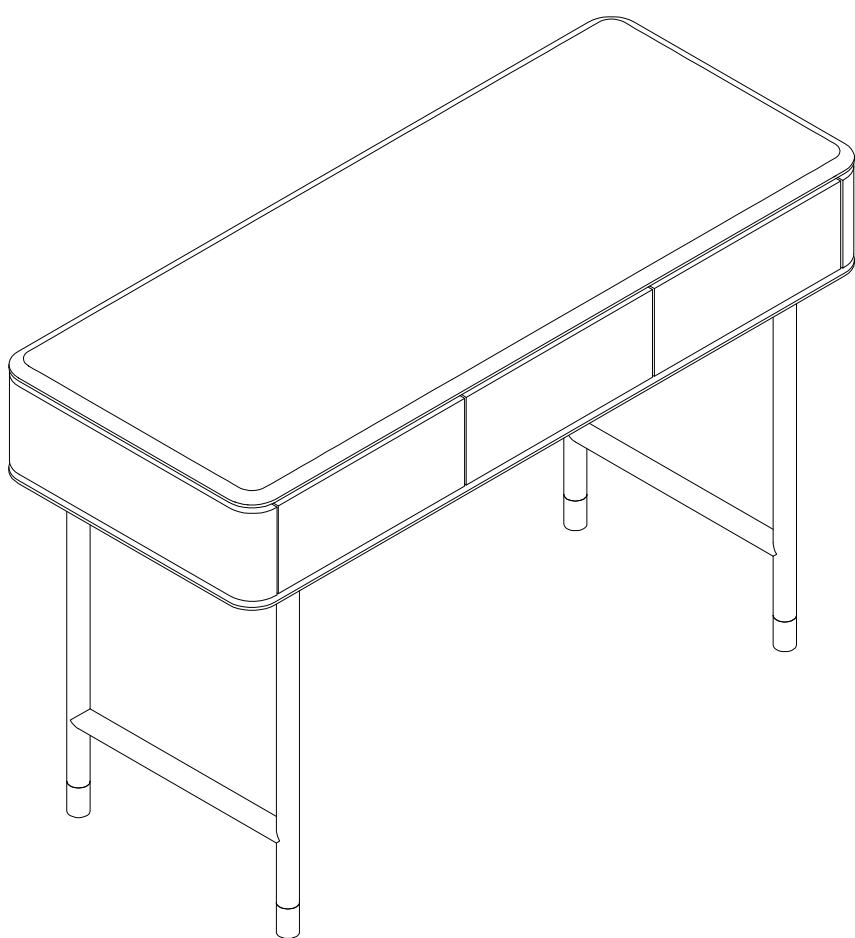
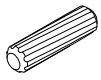
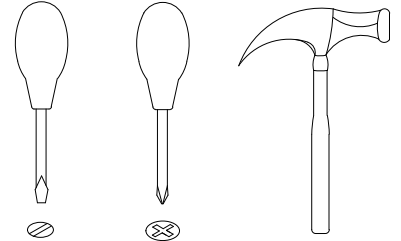
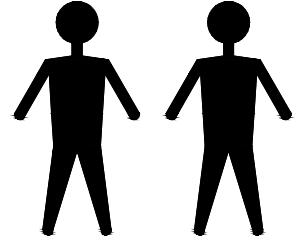




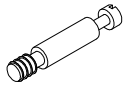
CP2308DK3



CP2308DK3



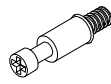
A x20
Spec: $\phi 8 \times 30$



B x16
Spec: $\phi 7 \times L30$



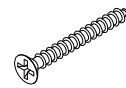
C x16
Spec: $\phi 15 \times H12$



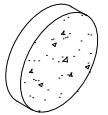
D x12
Spec: $\phi 6 \times L28$



E x12
Spec: $\phi 12 \times H9$



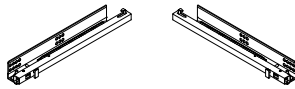
F x12
Spec: $\phi 3.5 \times L35$



G x4
Spec: $\phi 25 \times 3$



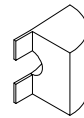
H x12
Spec: $\phi 6 \times L9$



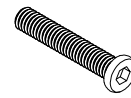
I x3
Spec: L400



J x6
Spec: $\phi 3.5 \times L16$



K x6
Spec: H13



L x14
Spec: $5/16 \times 45$



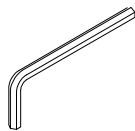
M x14
Spec: $\phi 14 \times \phi 8$



N x20
Spec:



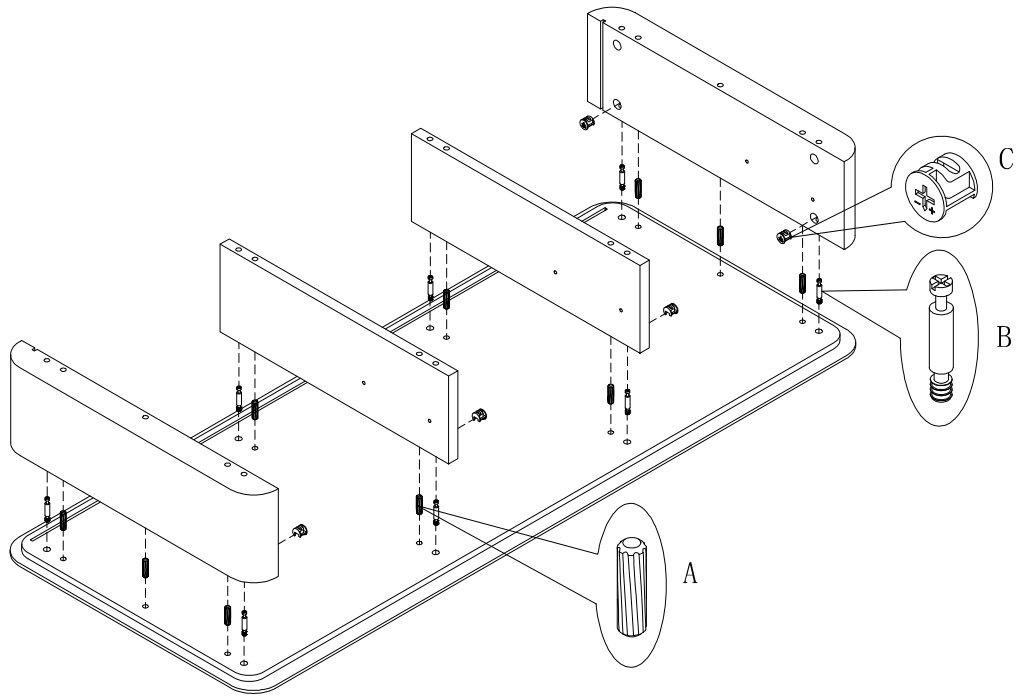
O x8
Spec:



P x1
Spec: 5#

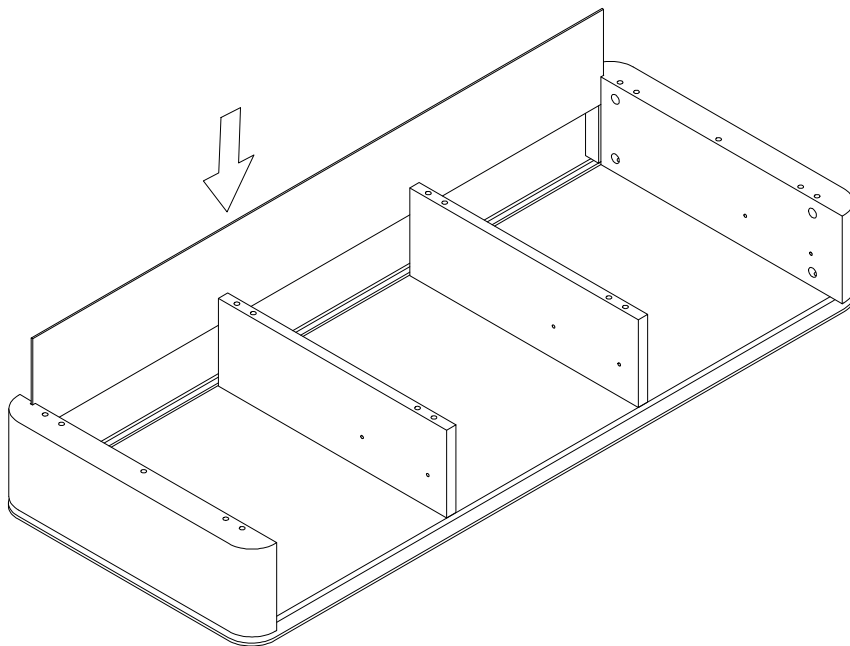


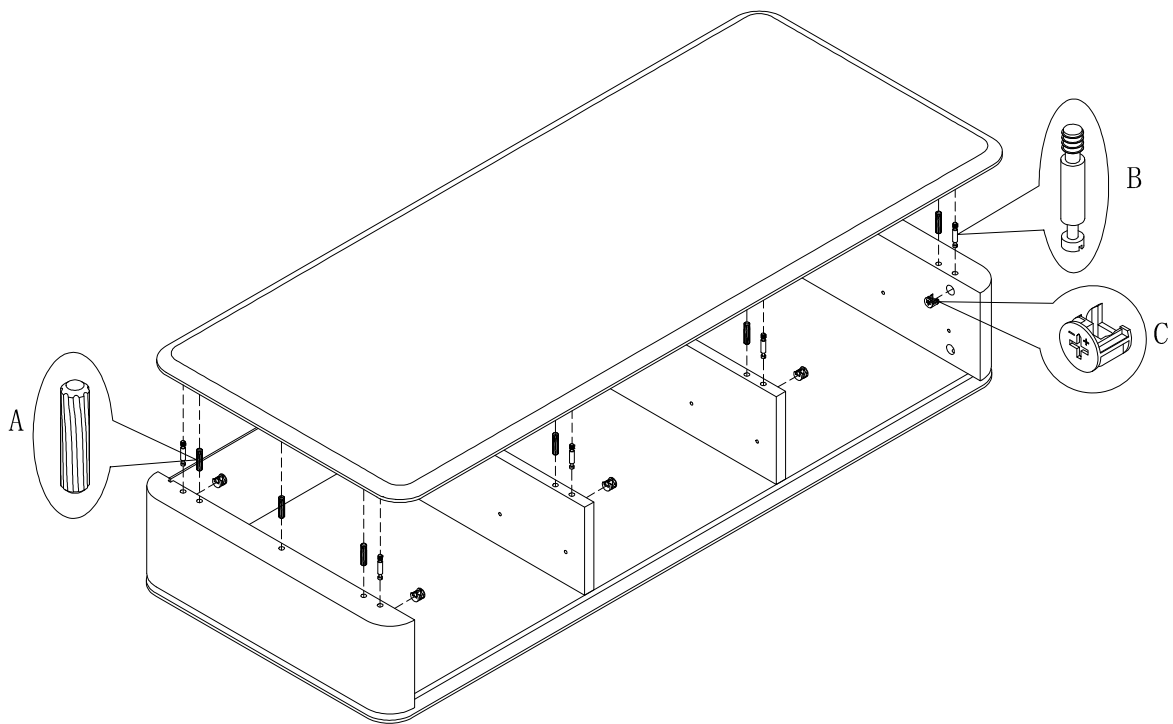
AAA x12
Spec: $\phi 3.8 \times L12$



1

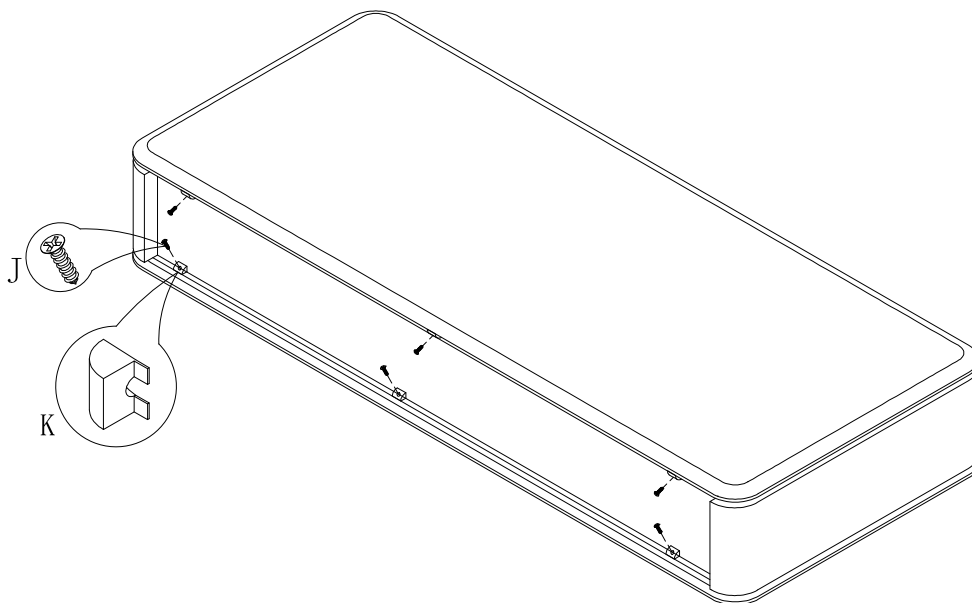
2

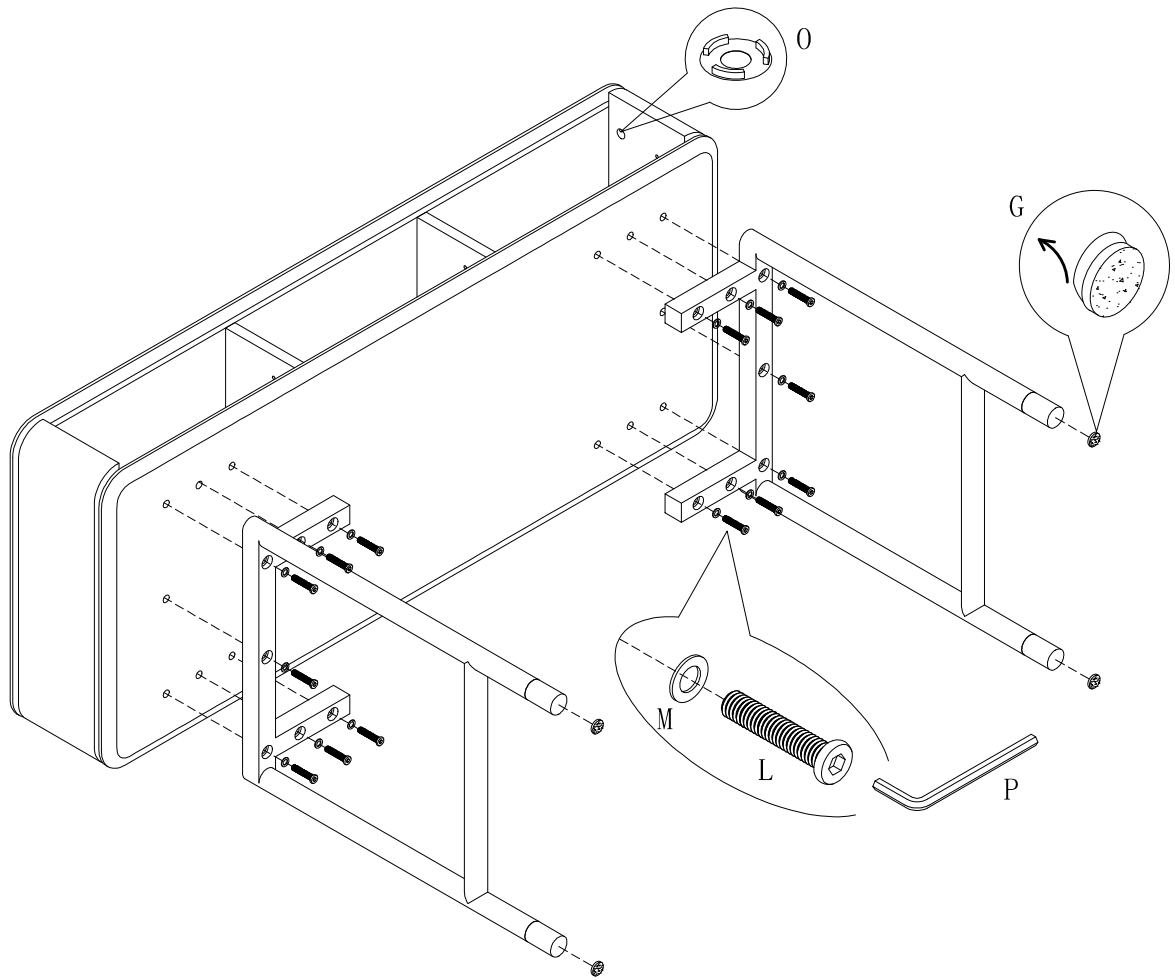




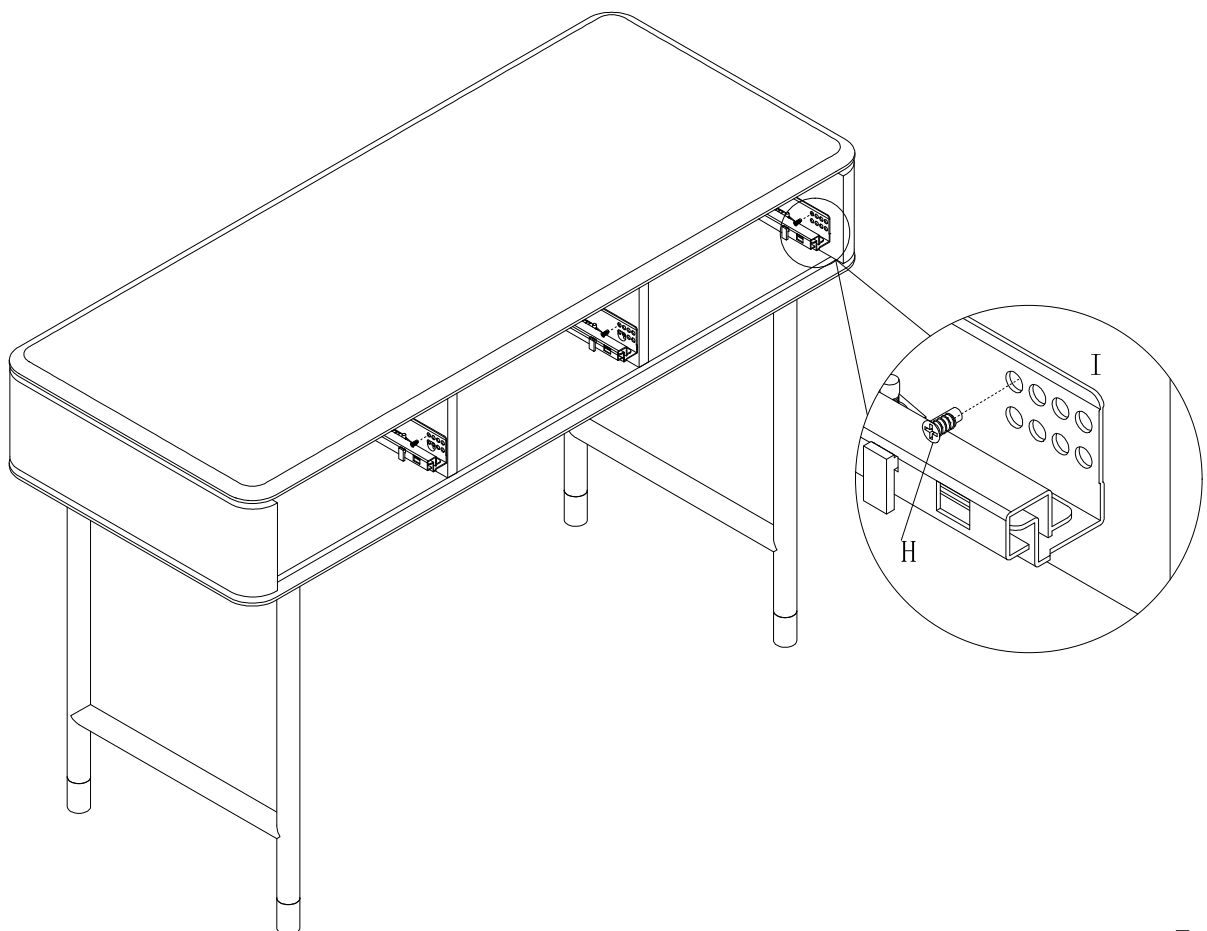
3

4

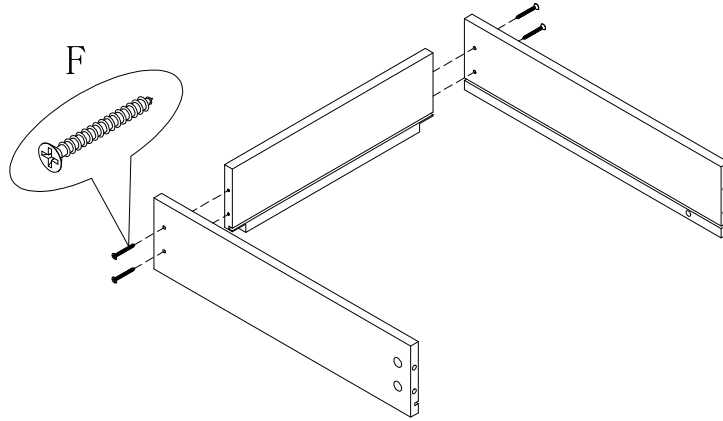




5

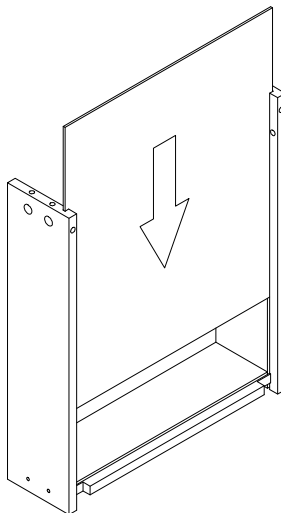


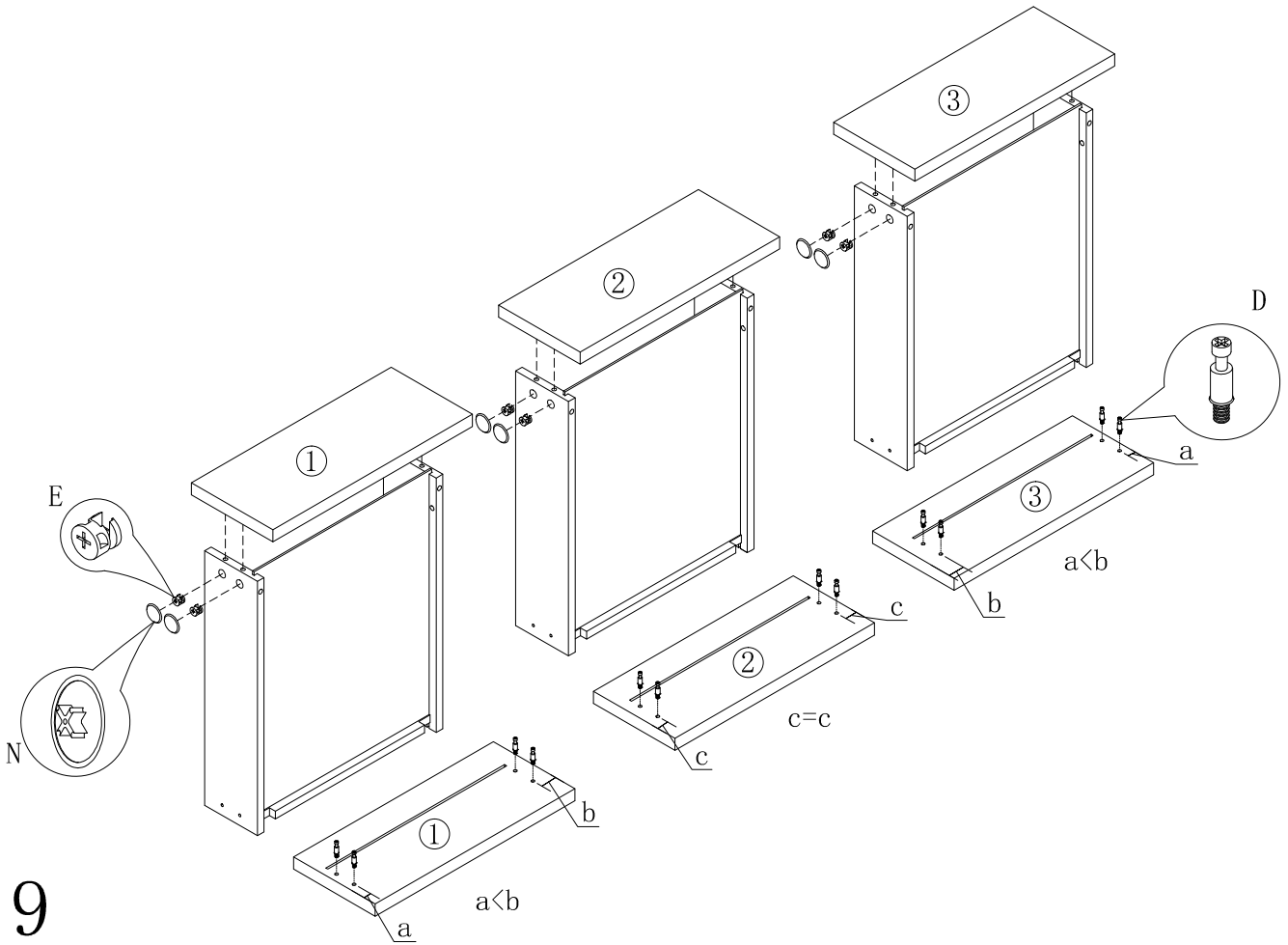
6



7

8





9

10

