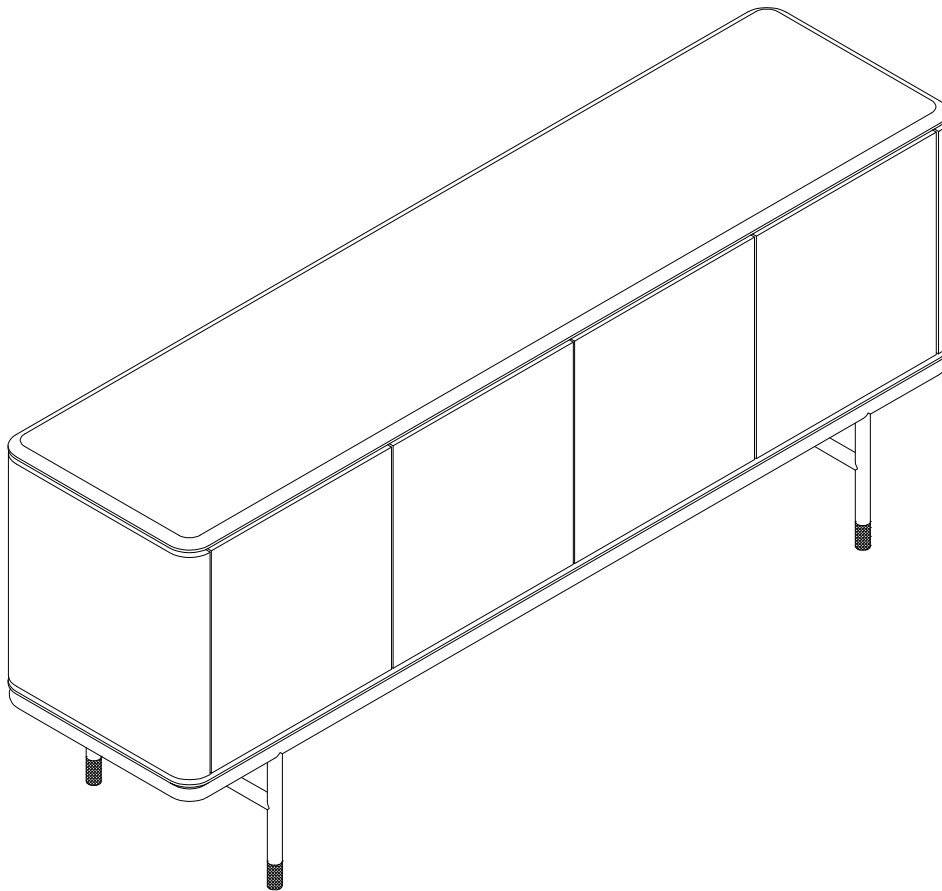


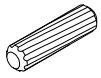
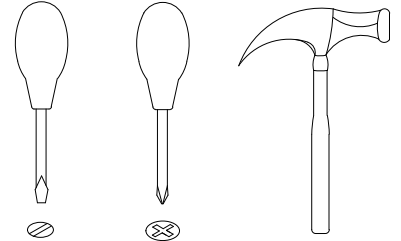
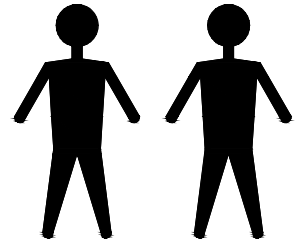
MOD
interiors

CP2308E-V/V

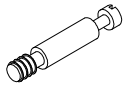


EAC

CP2308E-V/V



A x20
Spec: $\phi 8 \times 30$



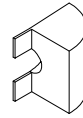
B x20
Spec: $\phi 7 \times L30$



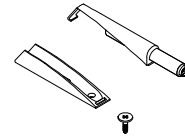
C x20
Spec: $\phi 15 \times H12$



D x16
Spec: $\phi 3.5 \times L16$



E x16
Spec: H13



F x4
Spec:



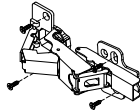
G x8
Spec: $\phi 3.5 \times L11$



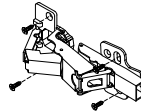
H x16
Spec: $\phi 5 \times L19$



I x16
Spec: $\phi 20 \times H12$



J x4
Spec: 089#



K x4
Spec: 079#



L x8
Spec:



M x16
Spec: $3.8 \times L16$



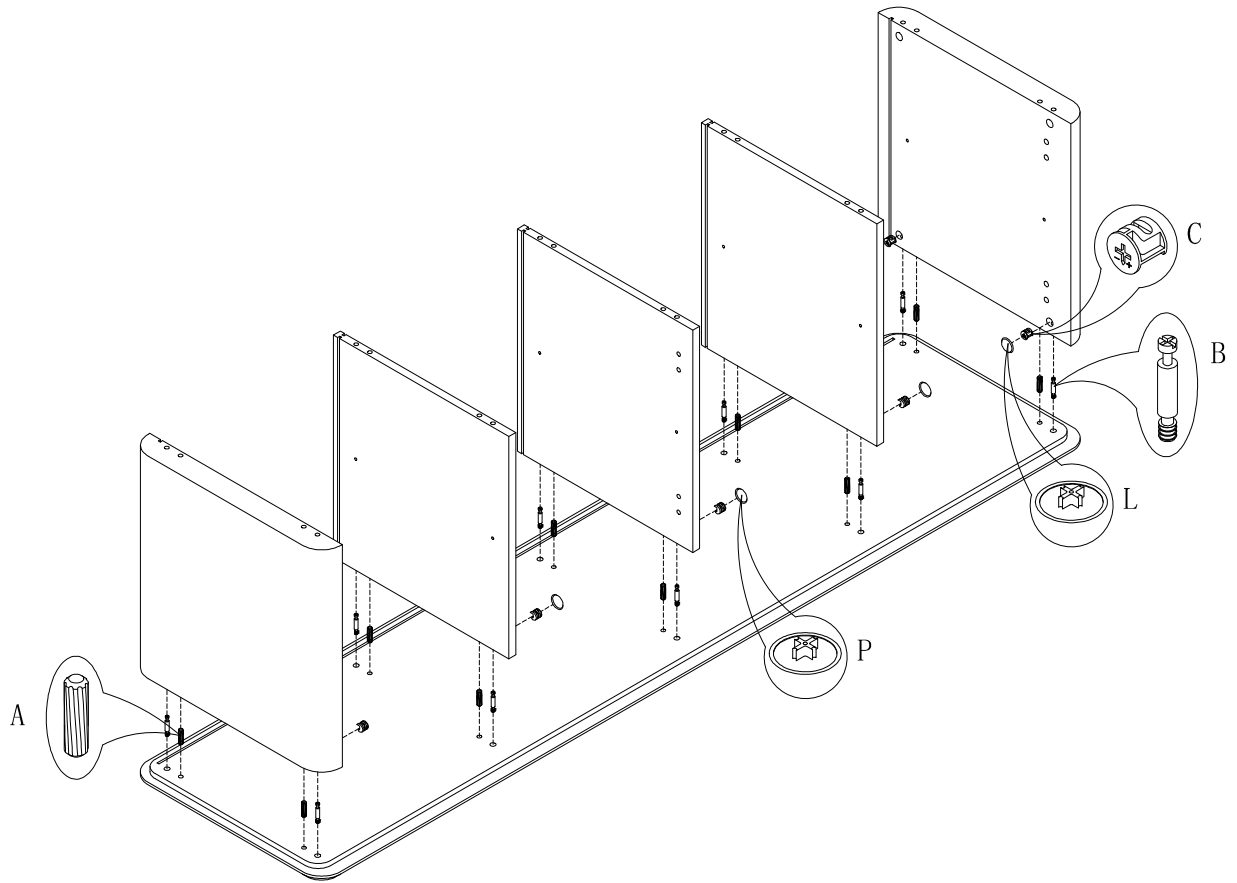
N x4
Spec: $\phi 15 \times 3\text{mm}$



O x20
Spec: $3.8 \times L19$

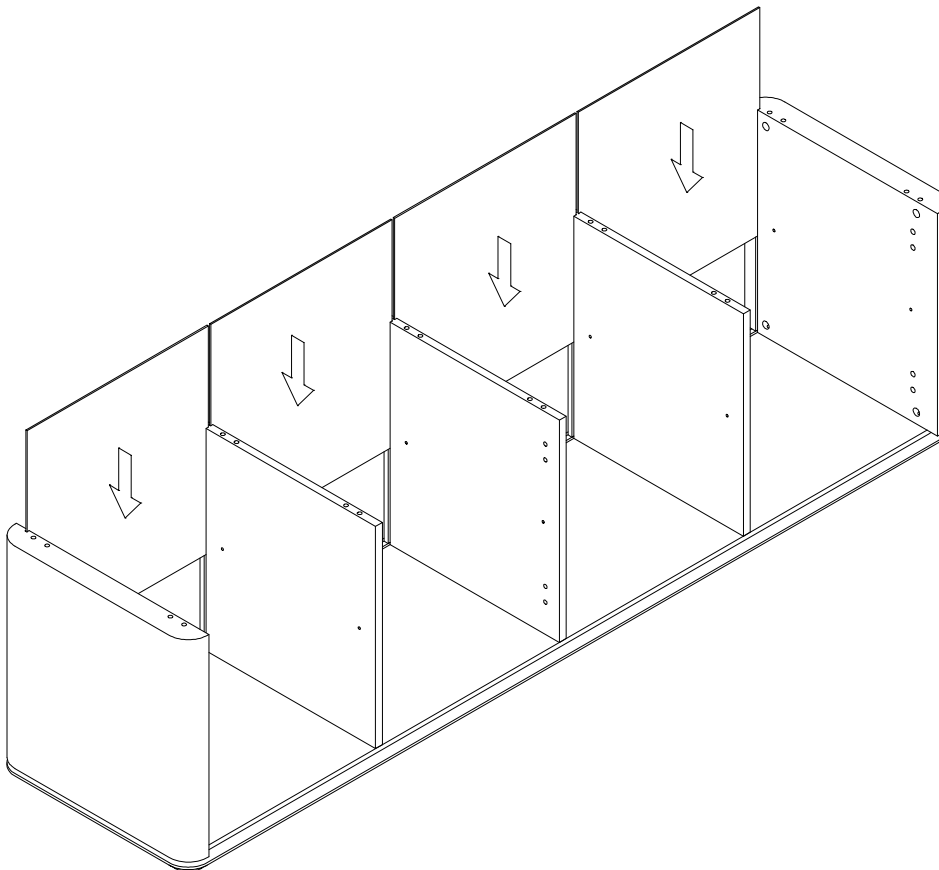


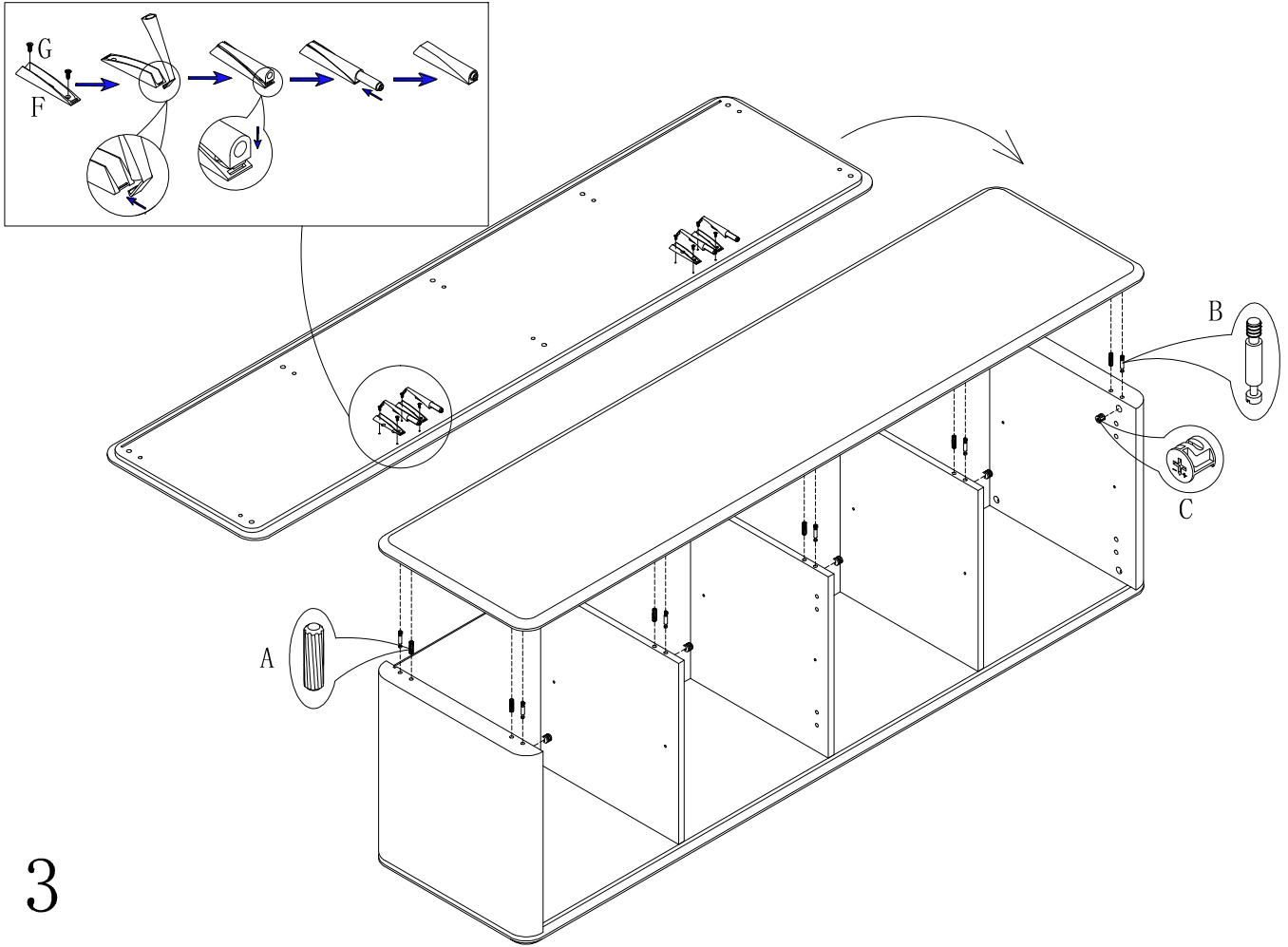
P x12
Spec:



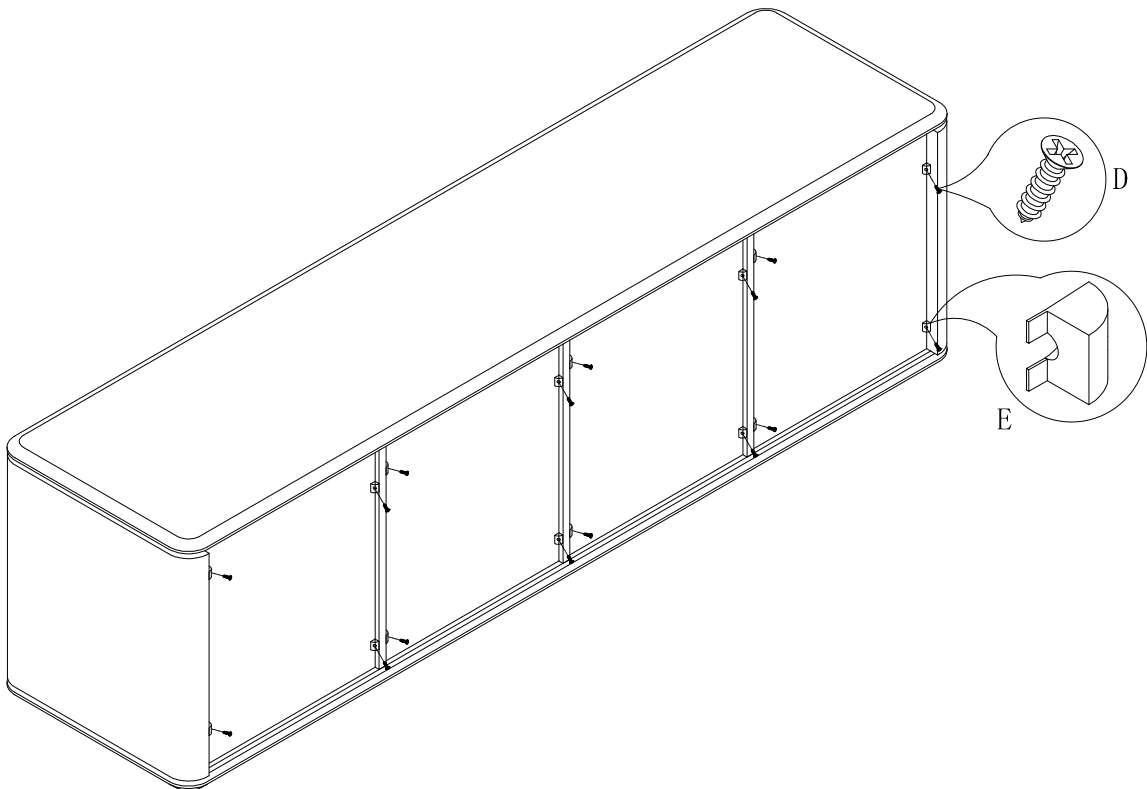
1

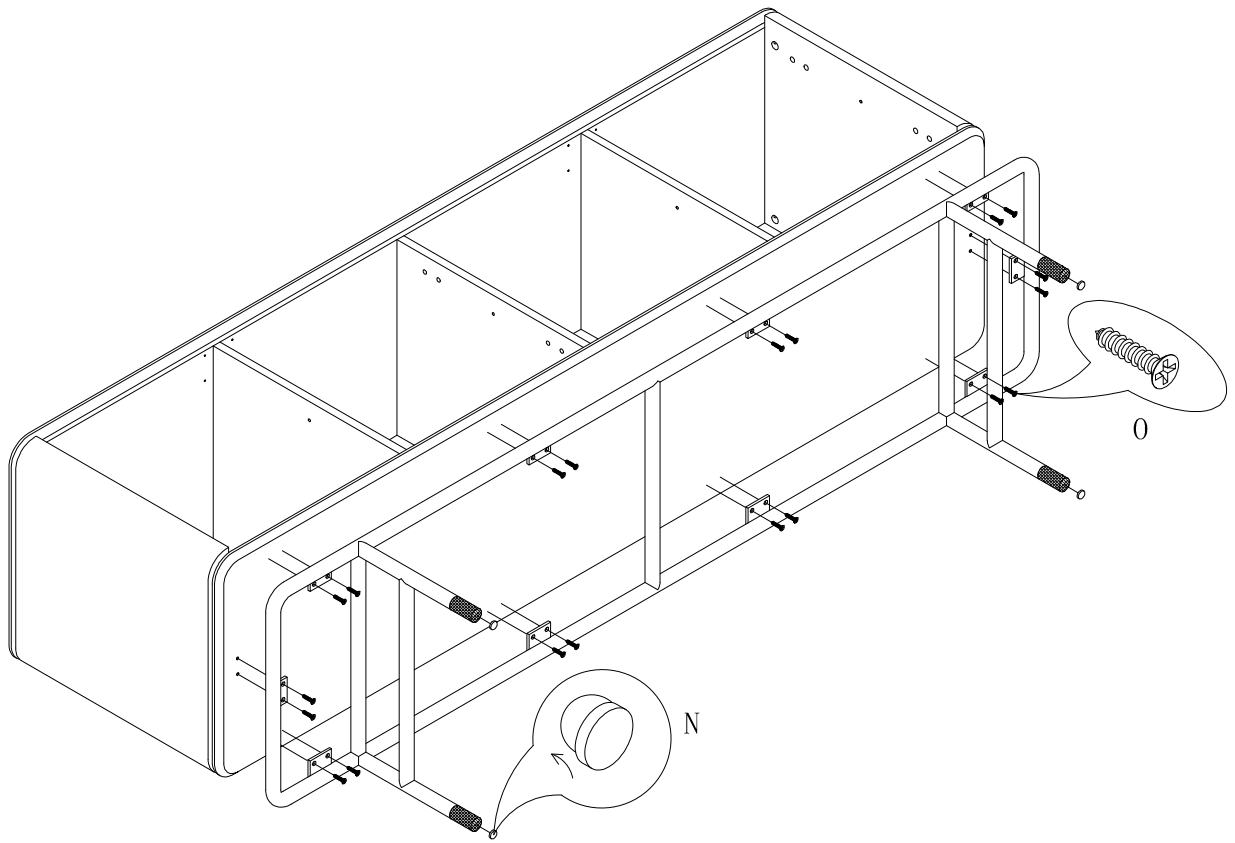
2





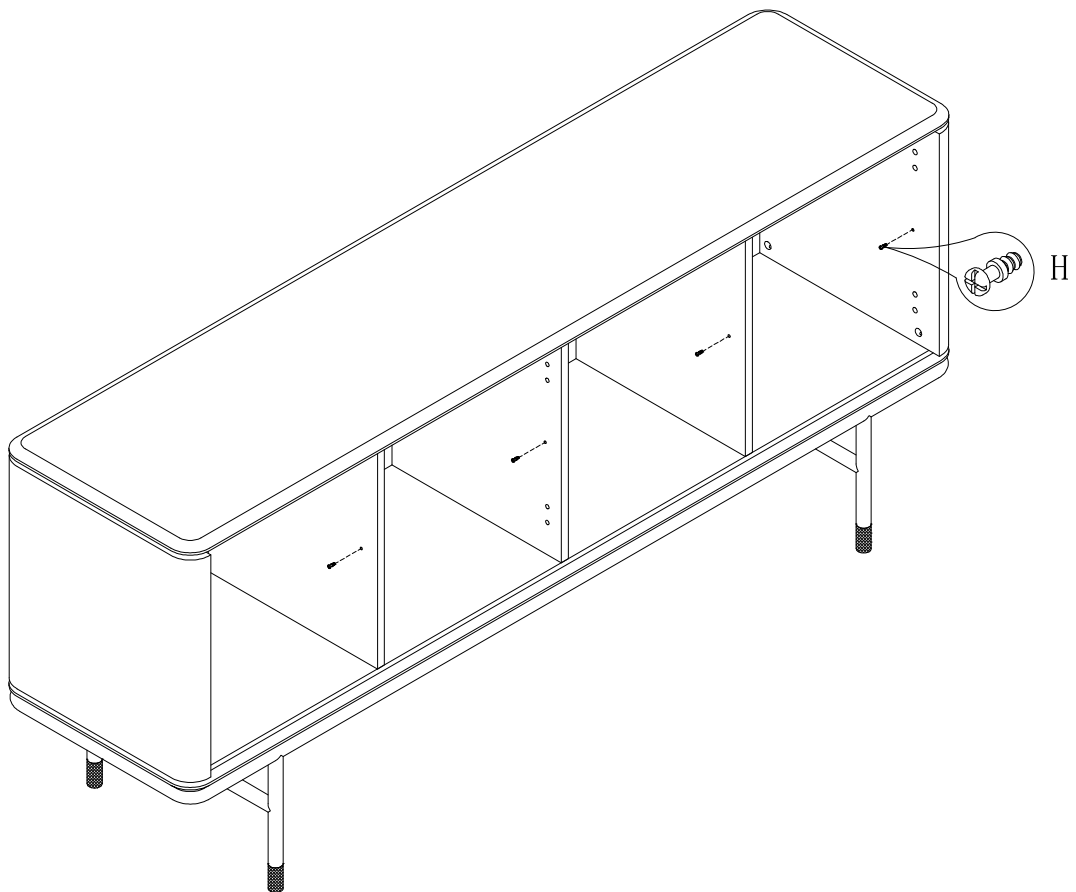
4

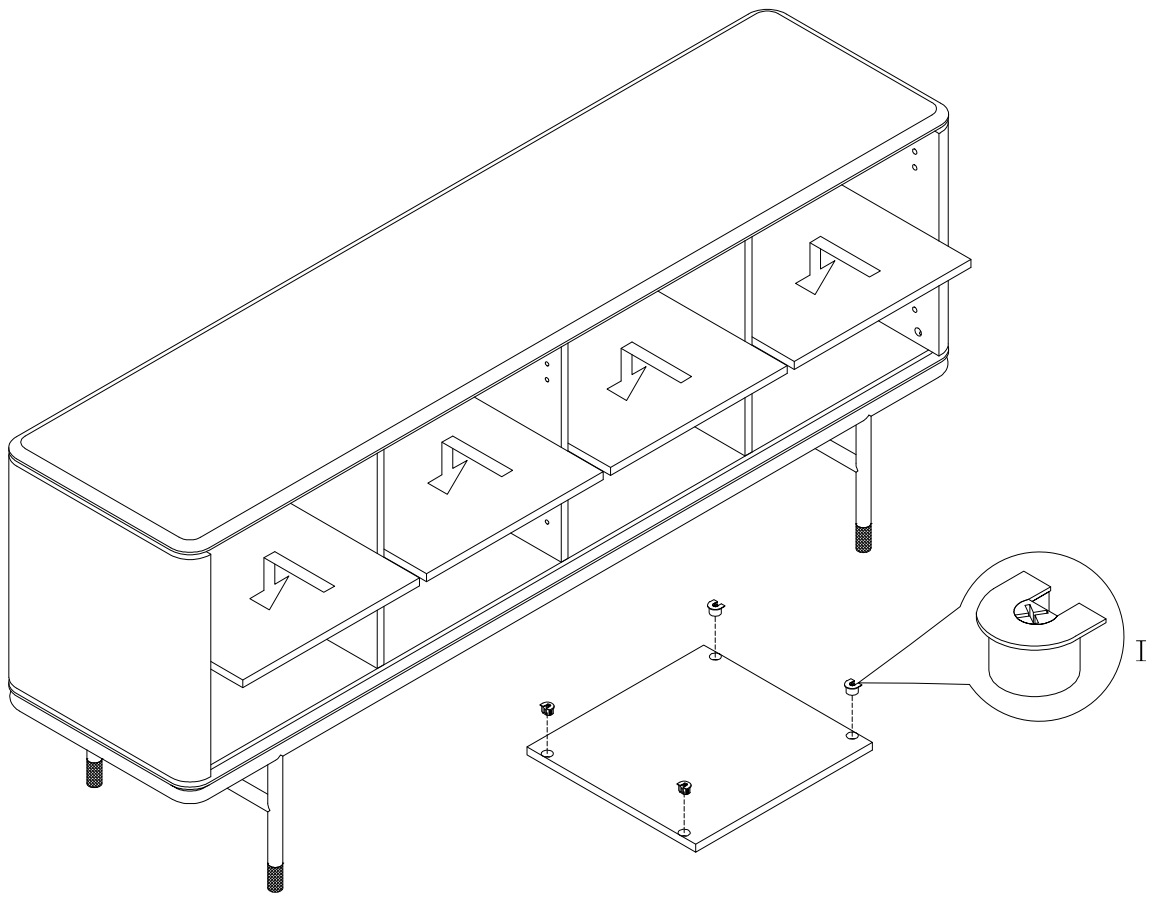




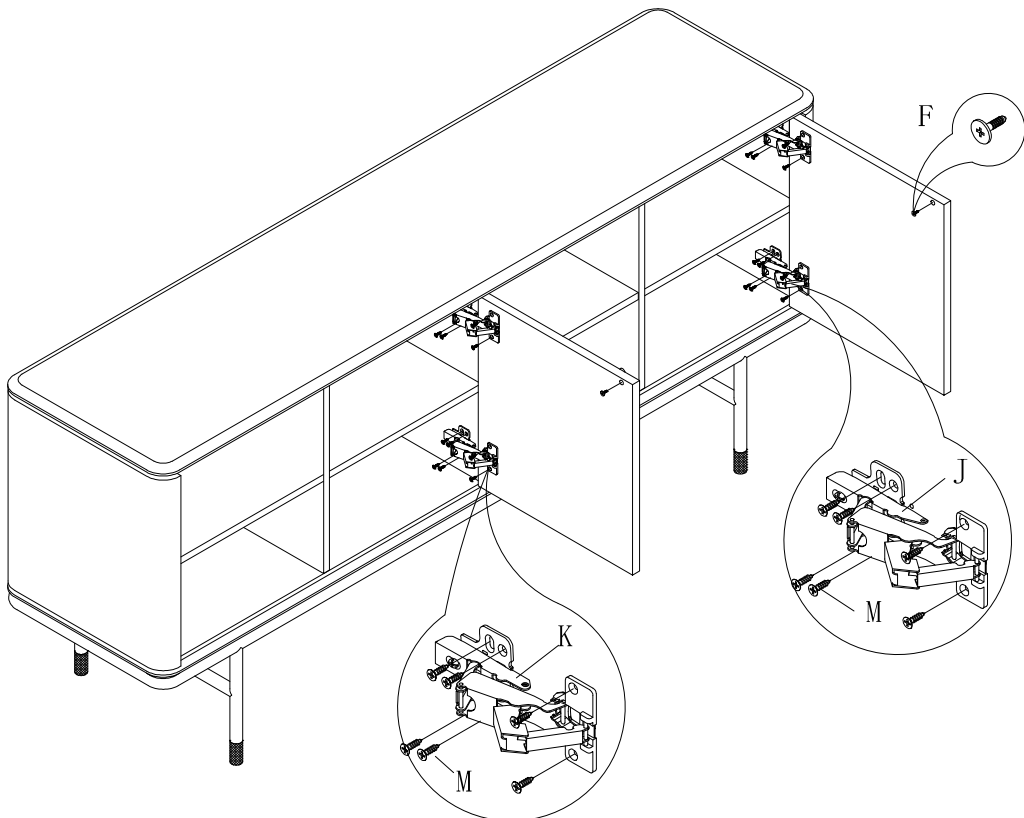
5

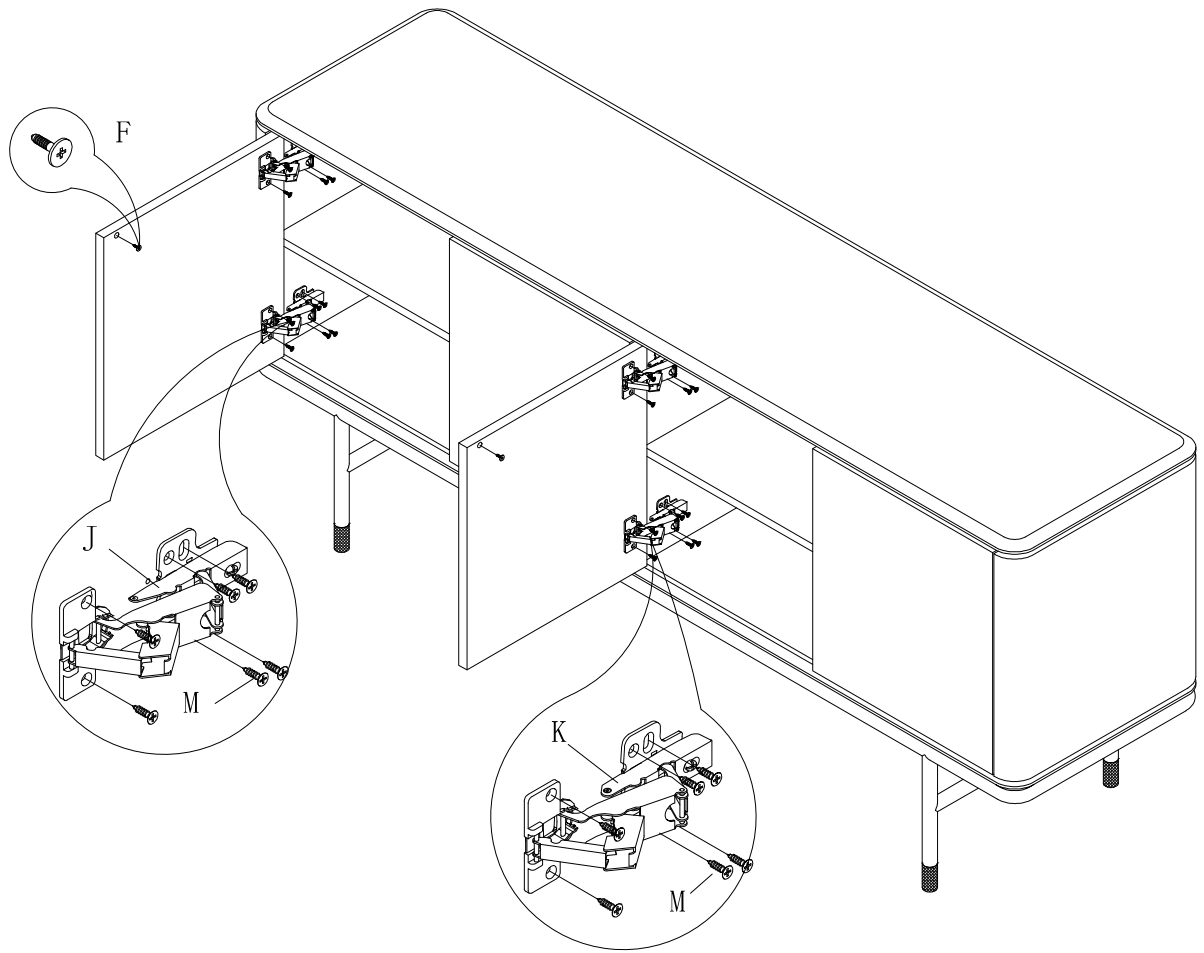
6





8





9