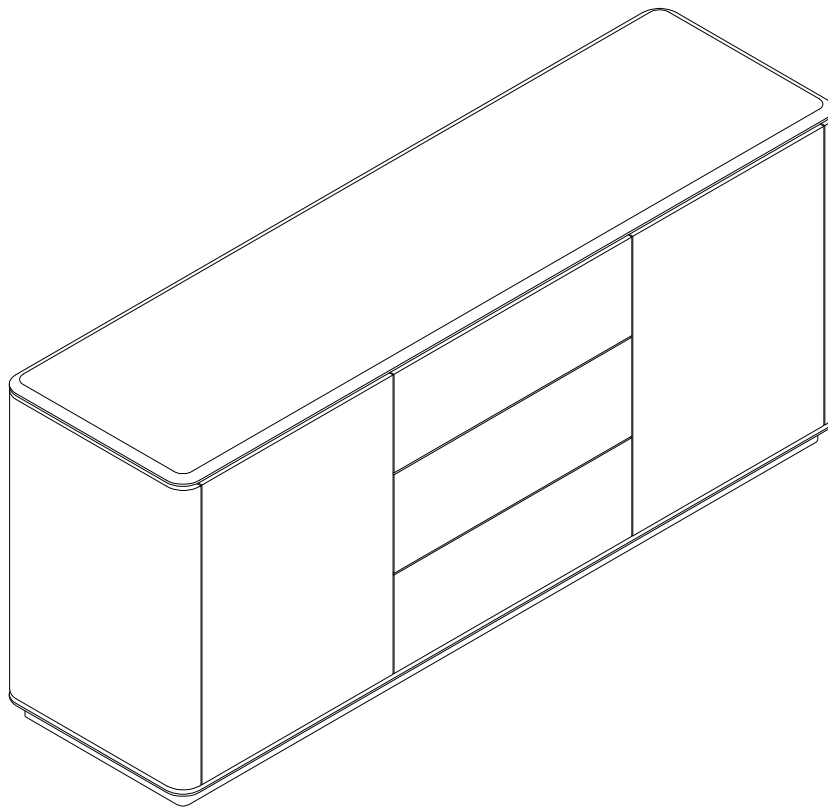


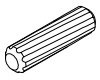
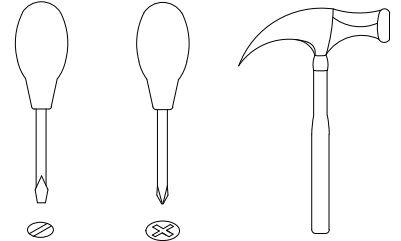
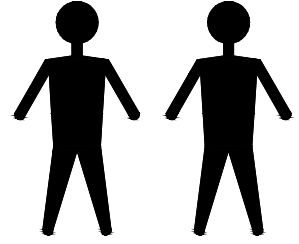
MOD
interiors

CP2308E2

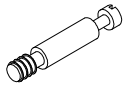


EAC

CP2308E2



A x24
Spec: $\phi 8 \times 30$



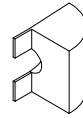
B x20
Spec: $\phi 7 \times L30$



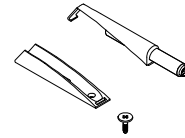
C x20
Spec: $\phi 15 \times H12$



D x18
Spec: $\phi 3.5 \times L16$



E x18
Spec: H13



F x2
Spec:



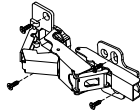
G x4
Spec: $\phi 3.5 \times L11$



H x16
Spec: $\phi 5 \times L19$



I x16
Spec: $\phi 20 \times H12$



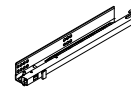
J x6
Spec: 089#



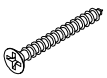
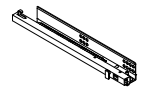
K x12
Spec: $3.8 \times L16$



L x38
Spec:



M x3
Spec: L400



N x12
Spec: $\phi 3.5 \times L35$



O x18
Spec: $\phi 12 \times H9$



P x18
Spec: $\phi 12 \times H9$



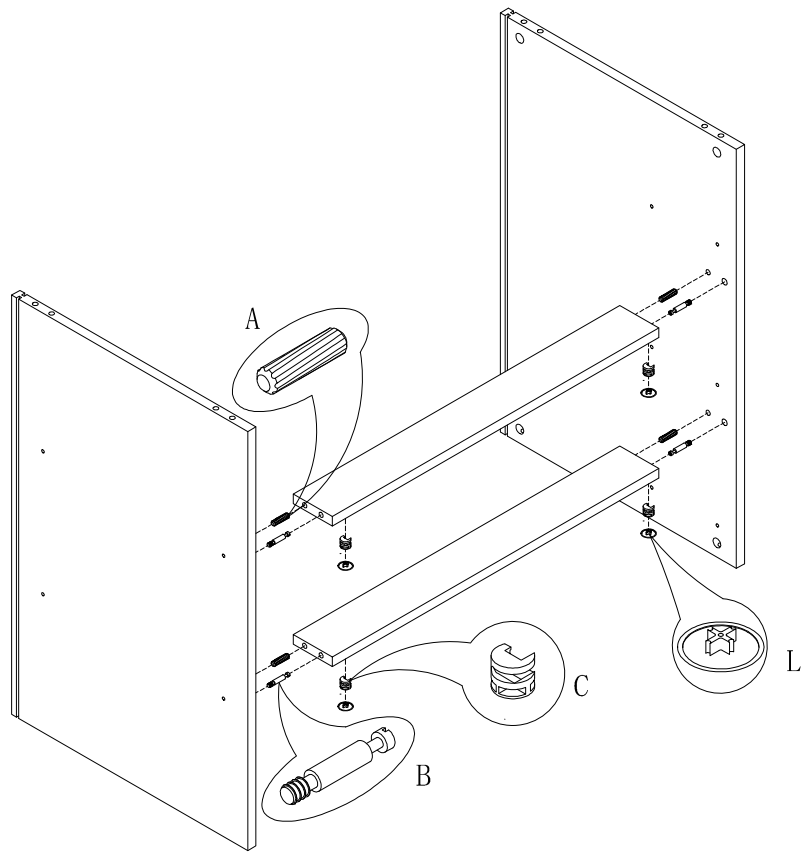
Q x36
Spec: $\phi 6 \times 30$



R x12
Spec: $\phi 6 \times L8$

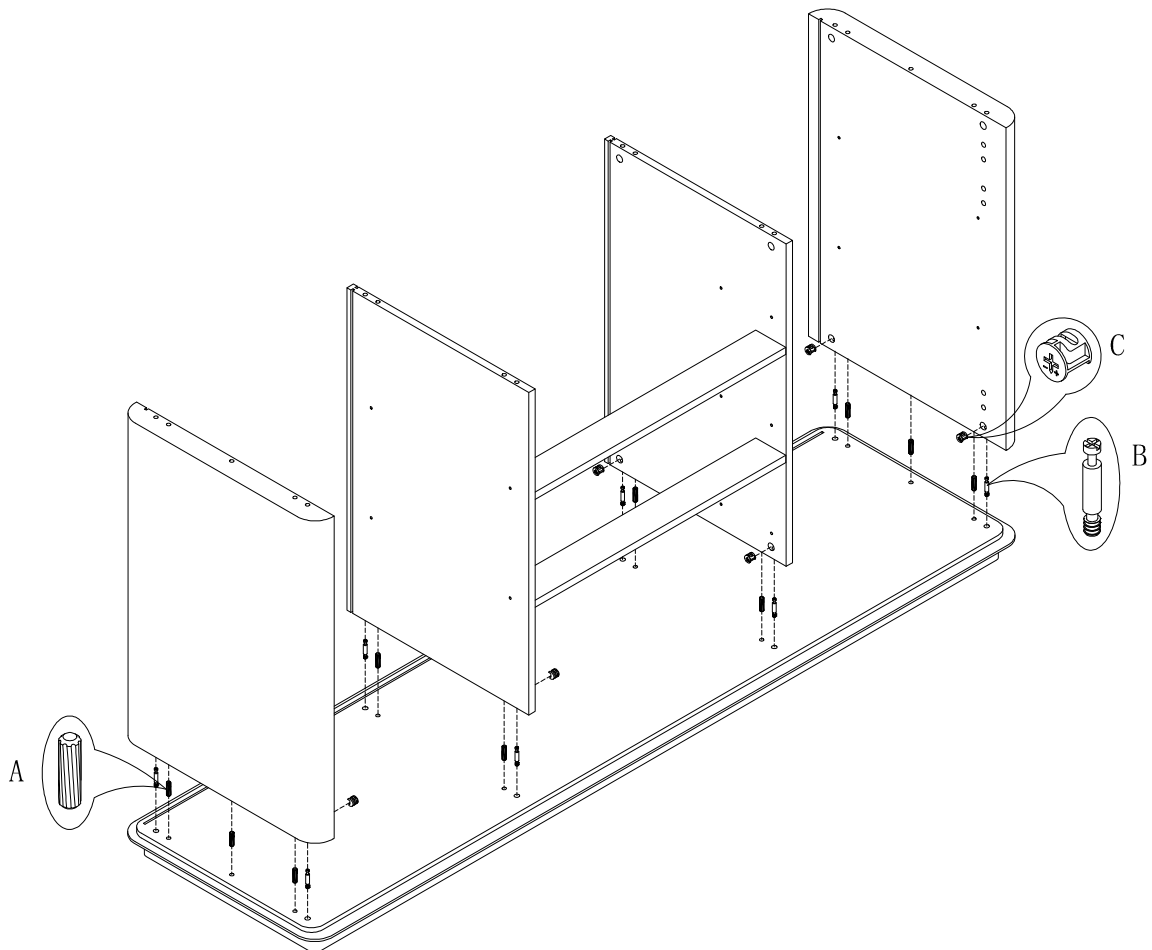


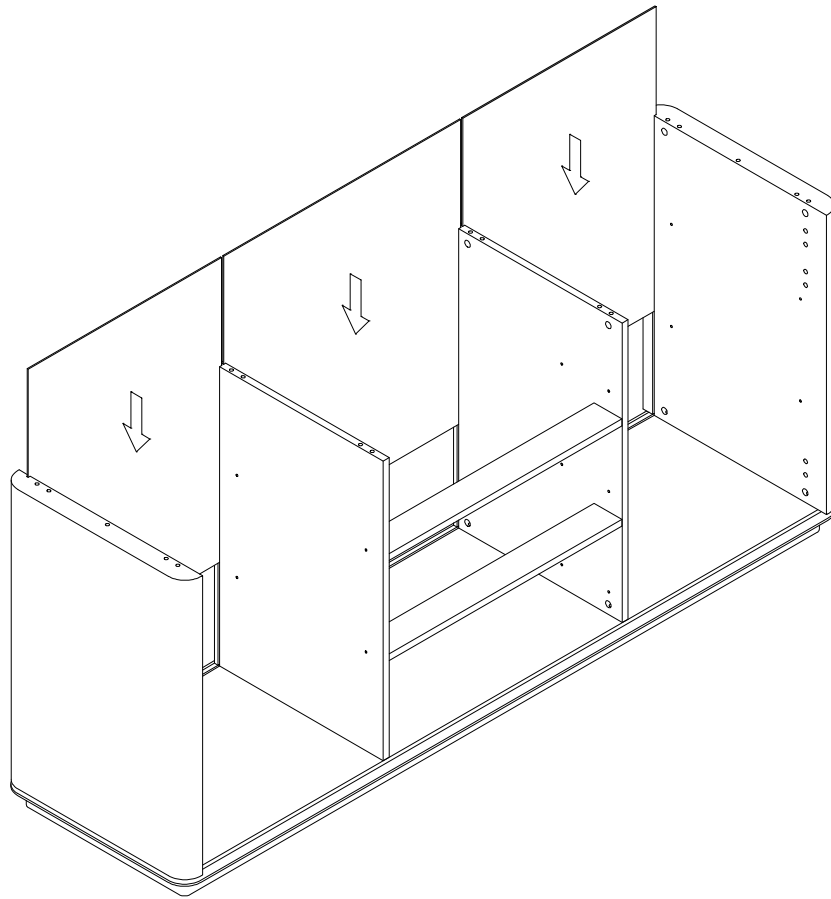
AAA x12
Spec: $\phi 3.8 \times L12$



1

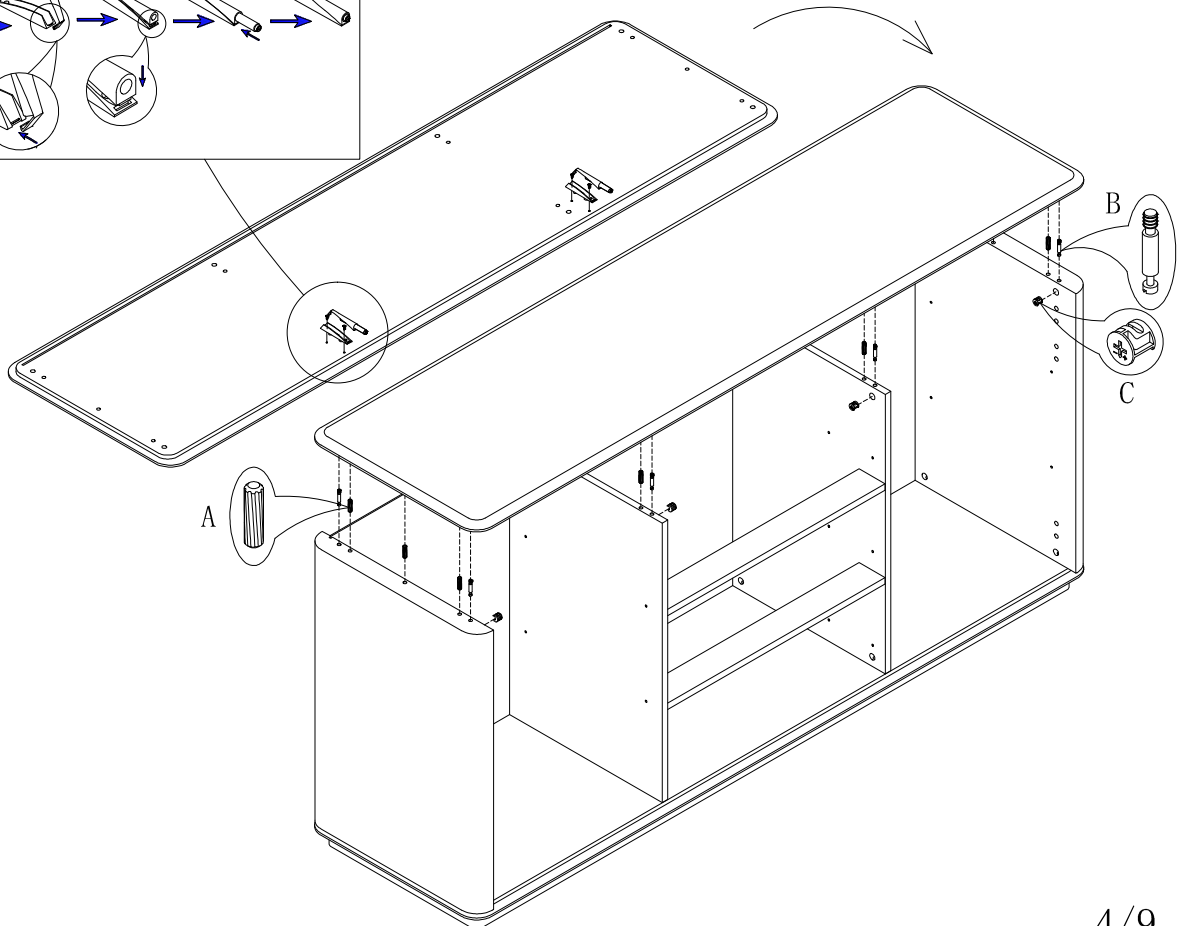
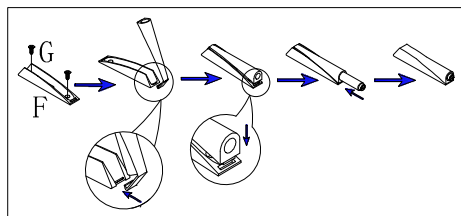
2

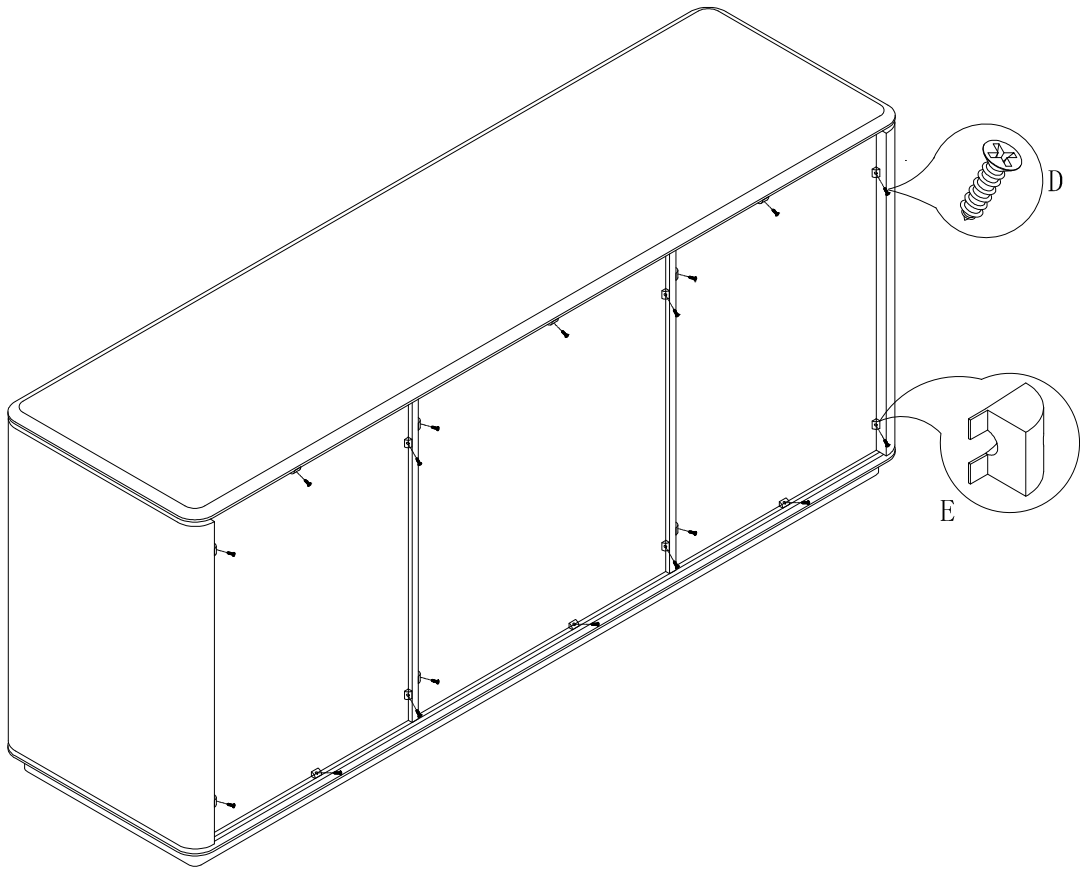




3

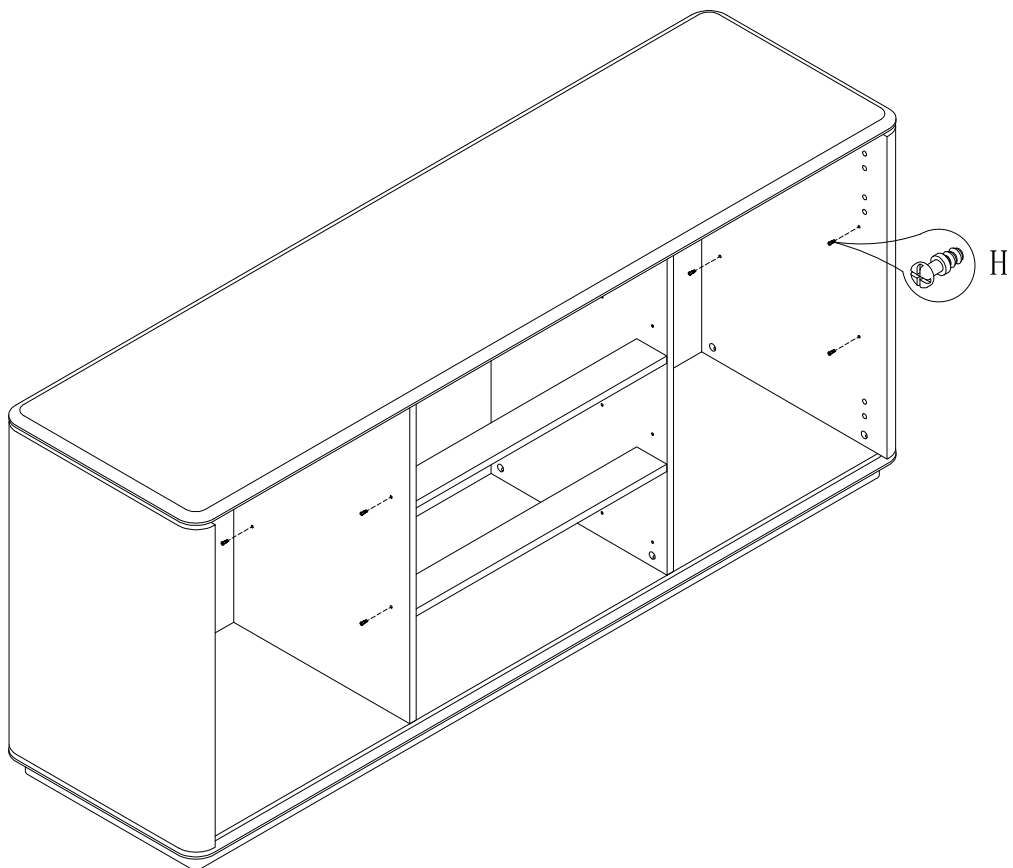
4

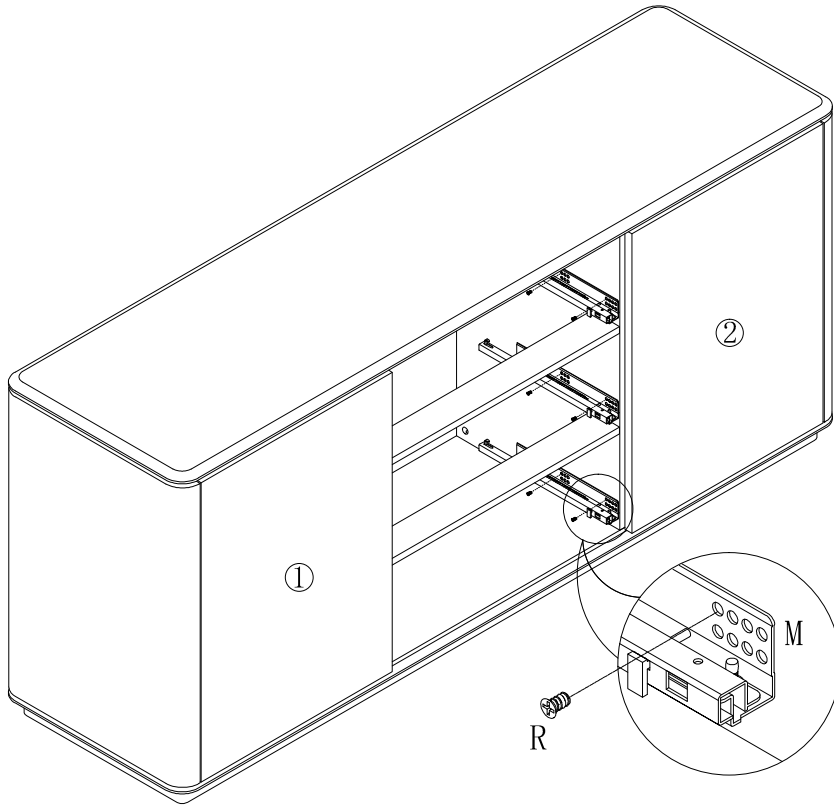




5

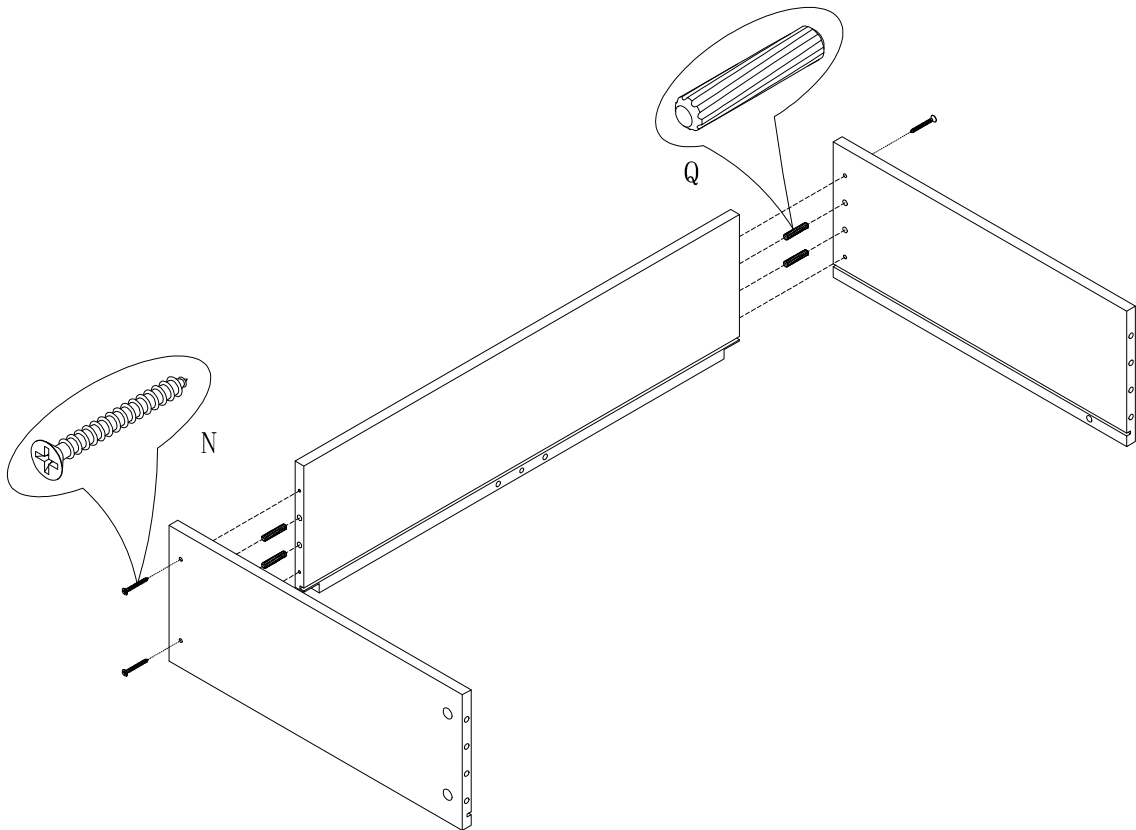
6

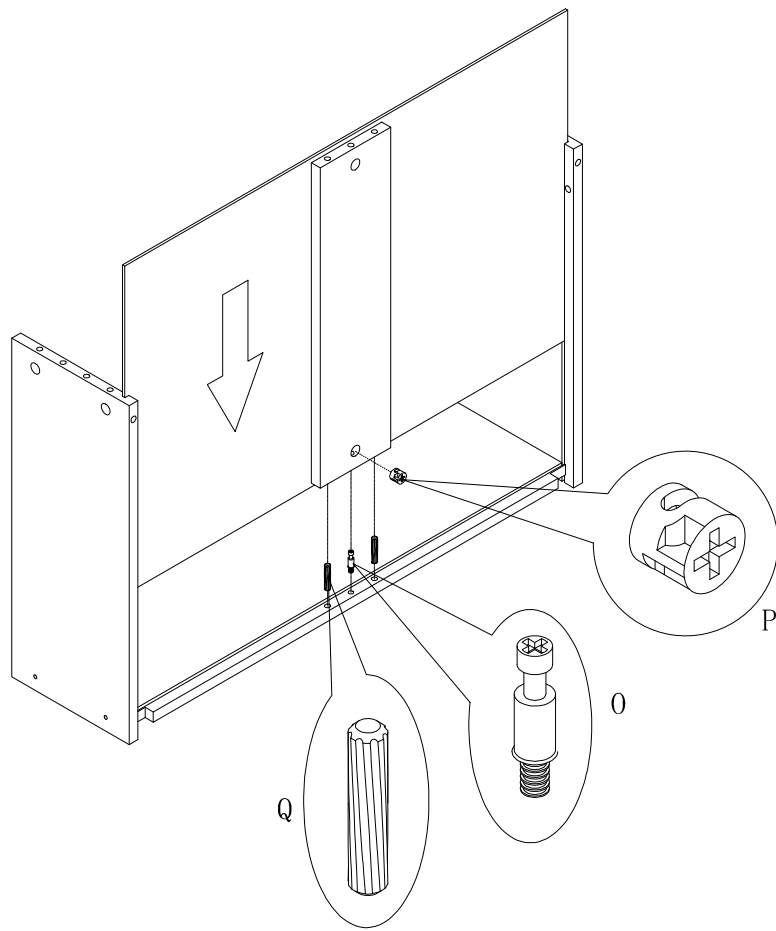




9

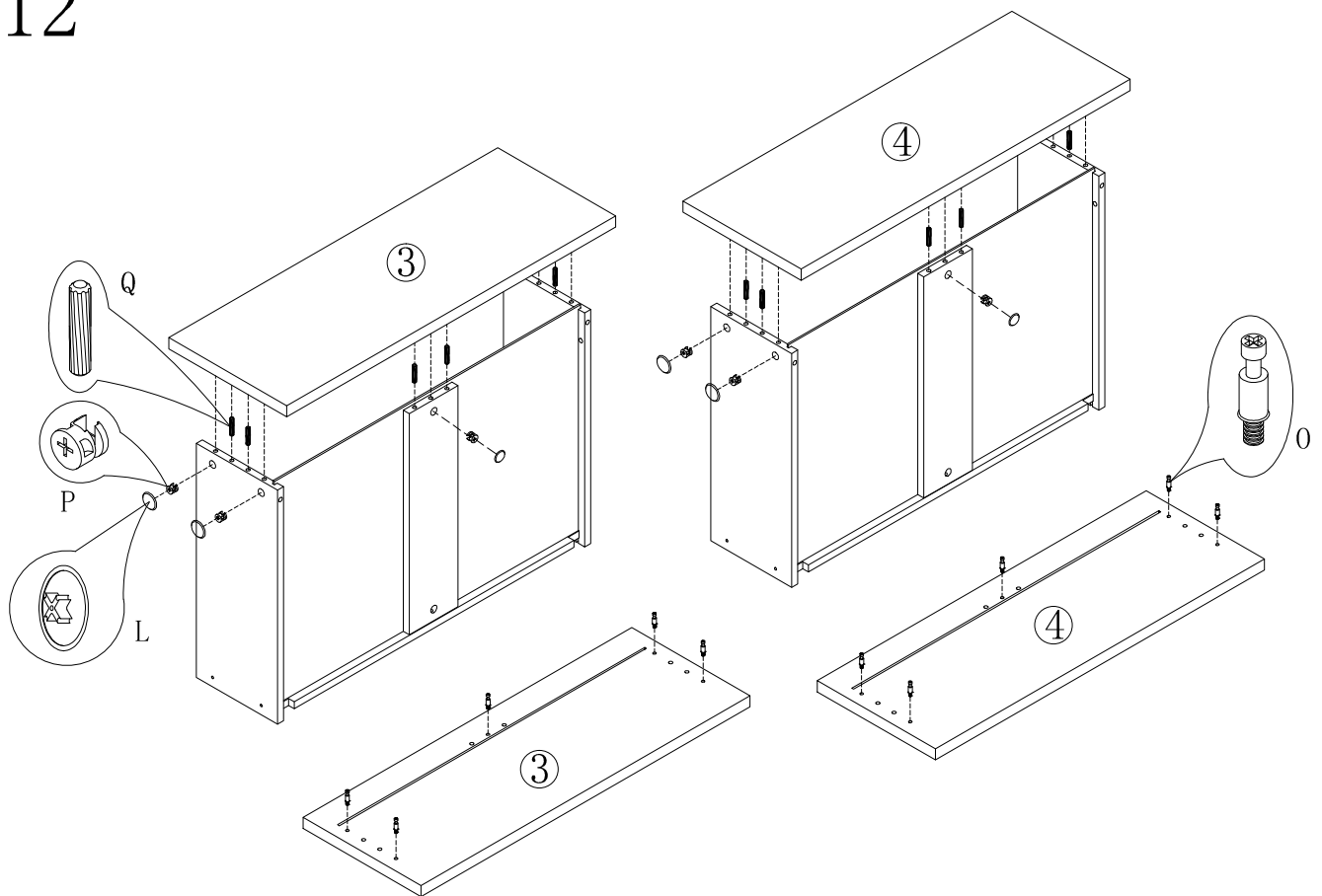
10

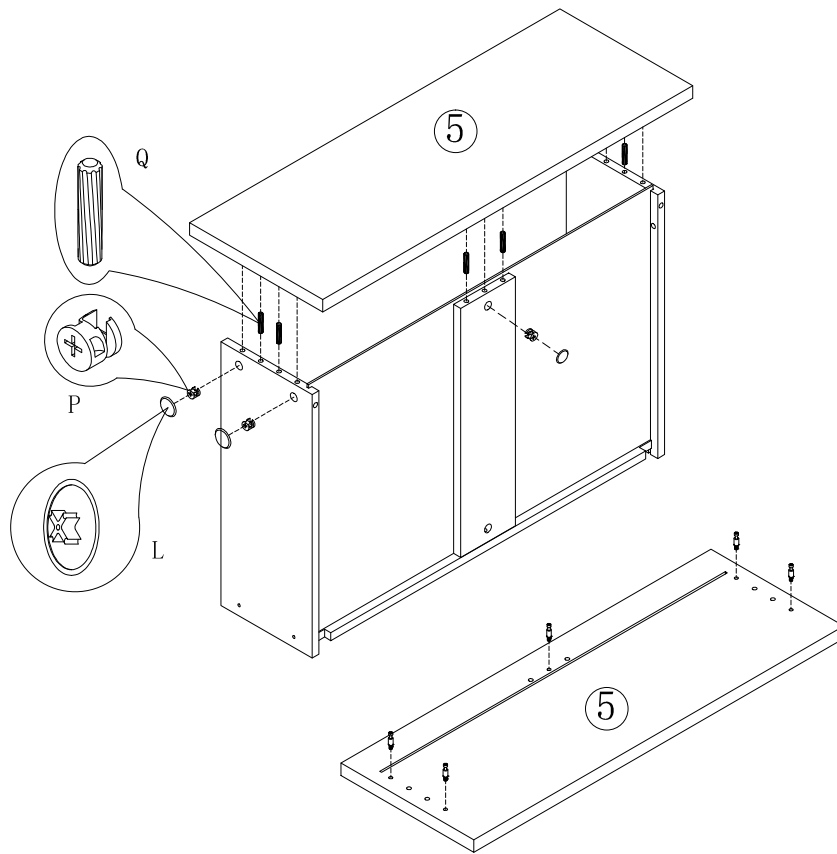




11

12





13

14

