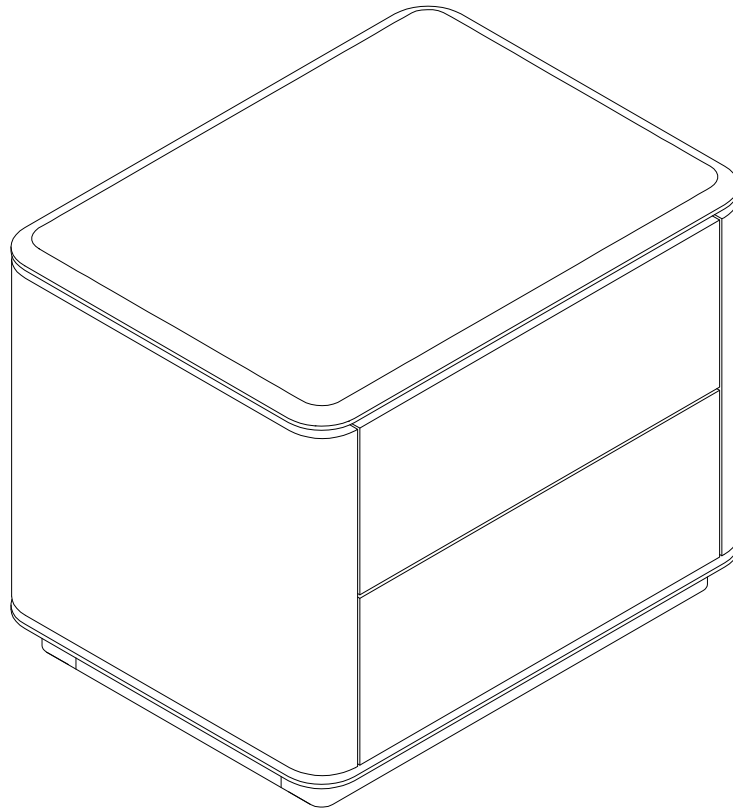
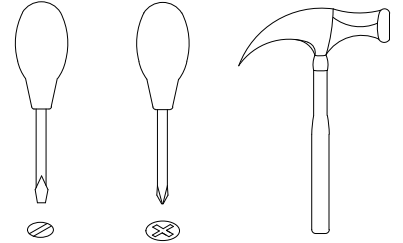
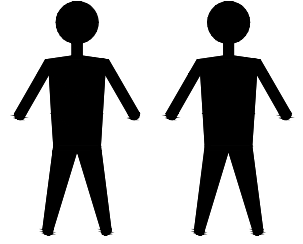




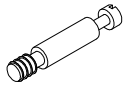
CP2308H5



CP2308H5



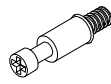
A x10
Spec: $\varnothing 8 \times 30$



B x10
Spec: $\varnothing 7 \times L30$



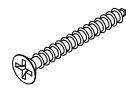
C x10
Spec: $\varnothing 15 \times H12$



D x8
Spec: $\varnothing 6 \times L28$



E x8
Spec: $\varnothing 12 \times H9$



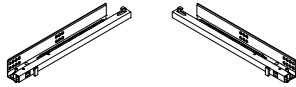
F x8
Spec: $\varnothing 3.5 \times L35$



G x8
Spec: $\varnothing 6 \times 30$



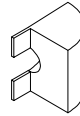
H x8
Spec: $\varnothing 6 \times L9$



I x2
Spec: L350



J x6
Spec: $\varnothing 3.5 \times L16$



K x6
Spec: H13



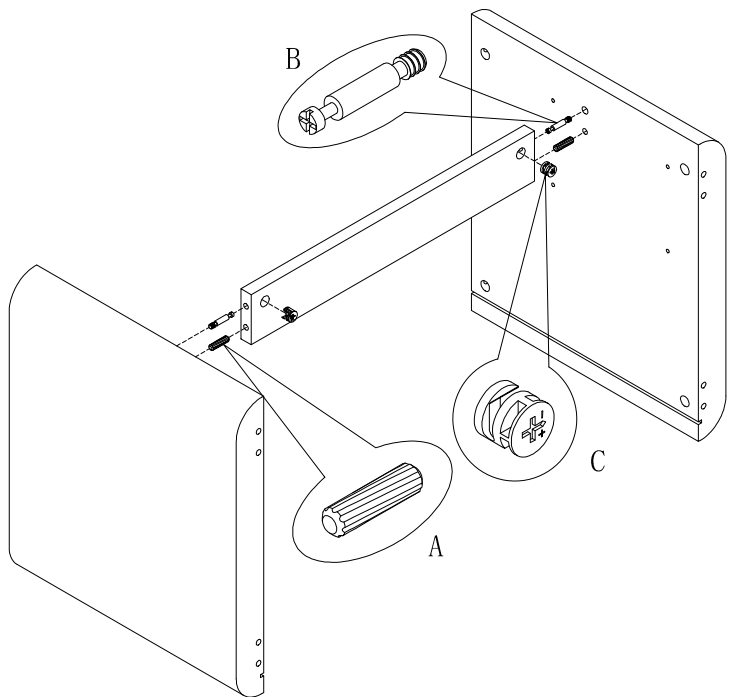
L x10
Spec:



M x8
Spec:

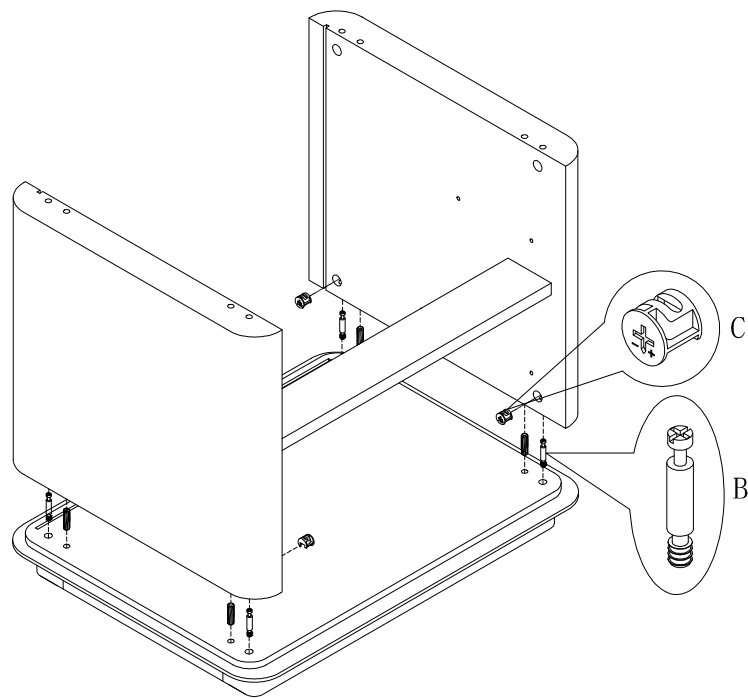


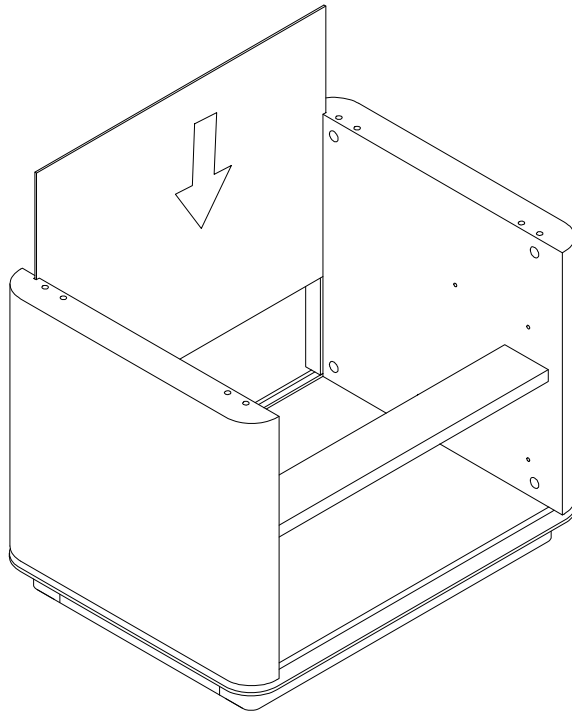
AAA x8
Spec: $\varnothing 3.8 \times L12$



1

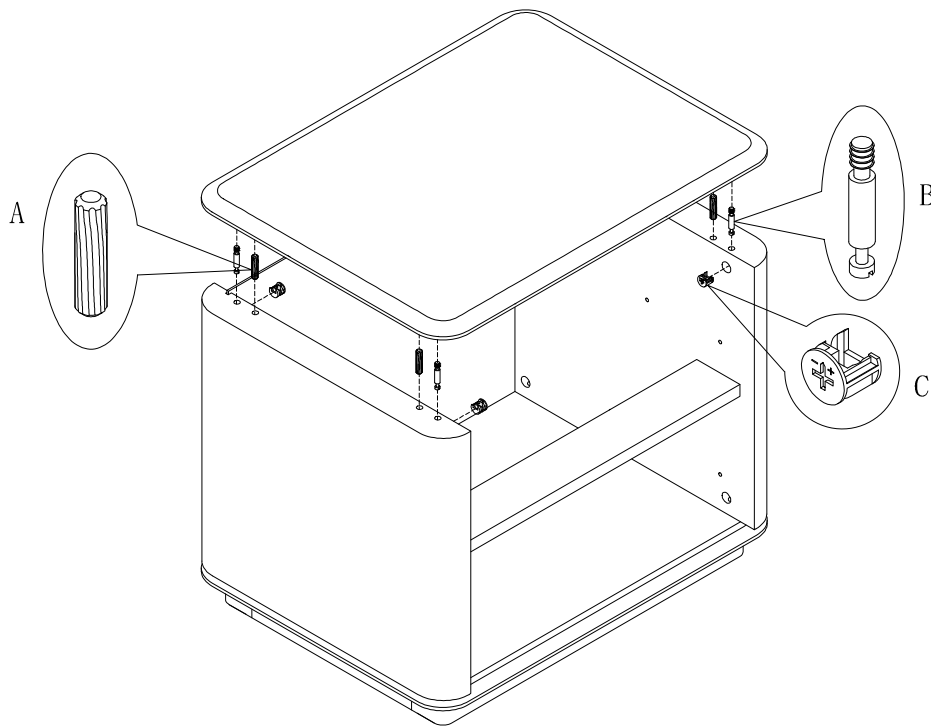
2

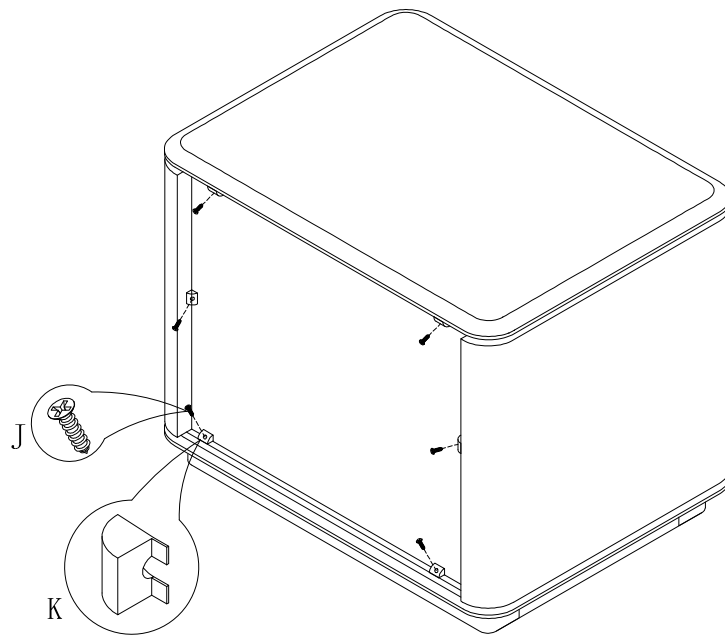




3

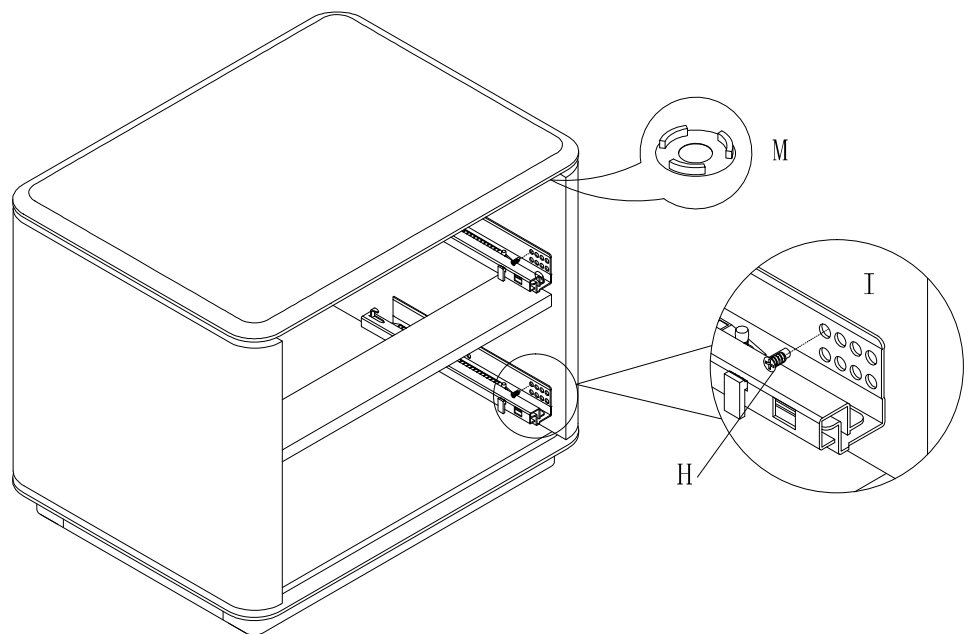
4

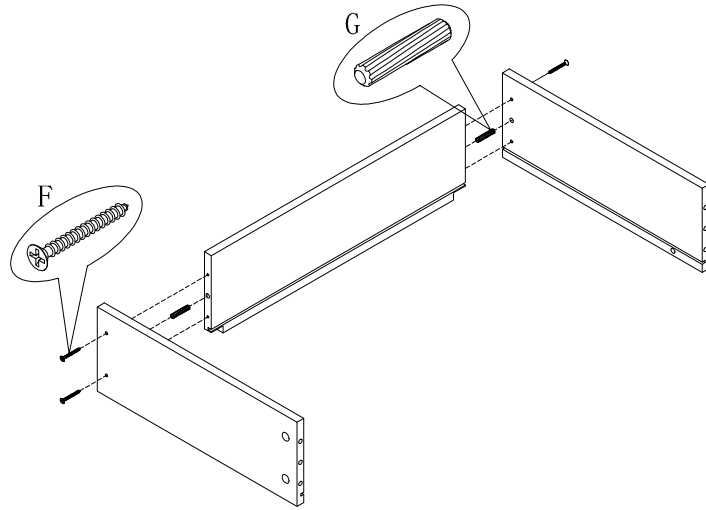




5

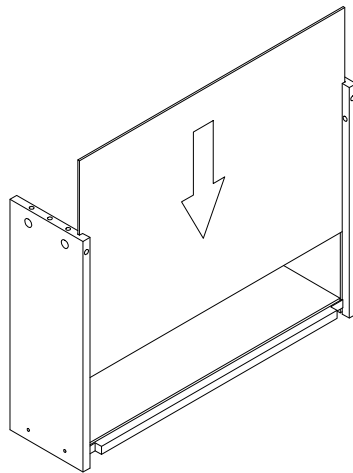
6

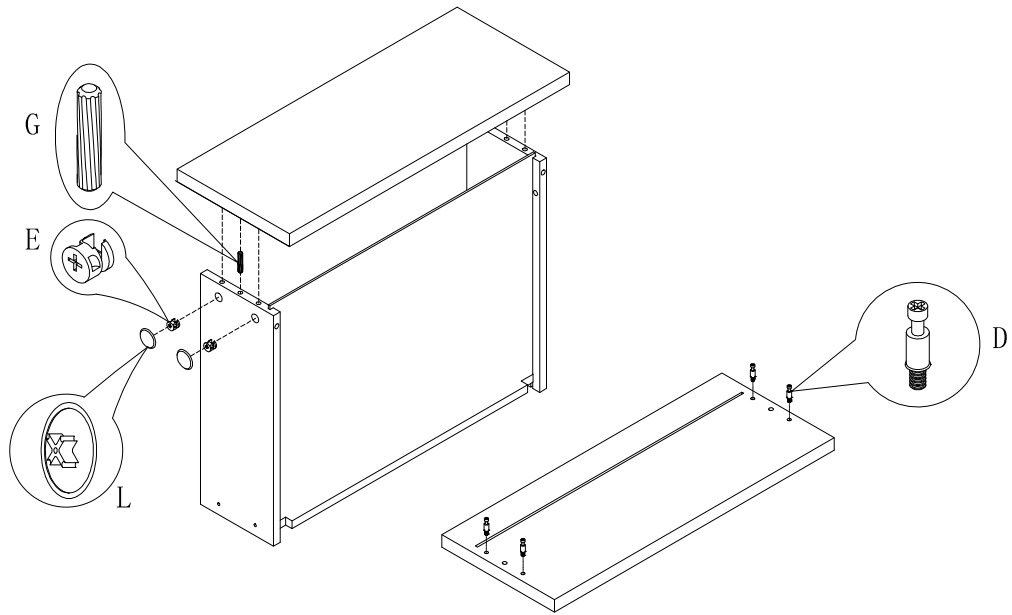




7

8





9

10

