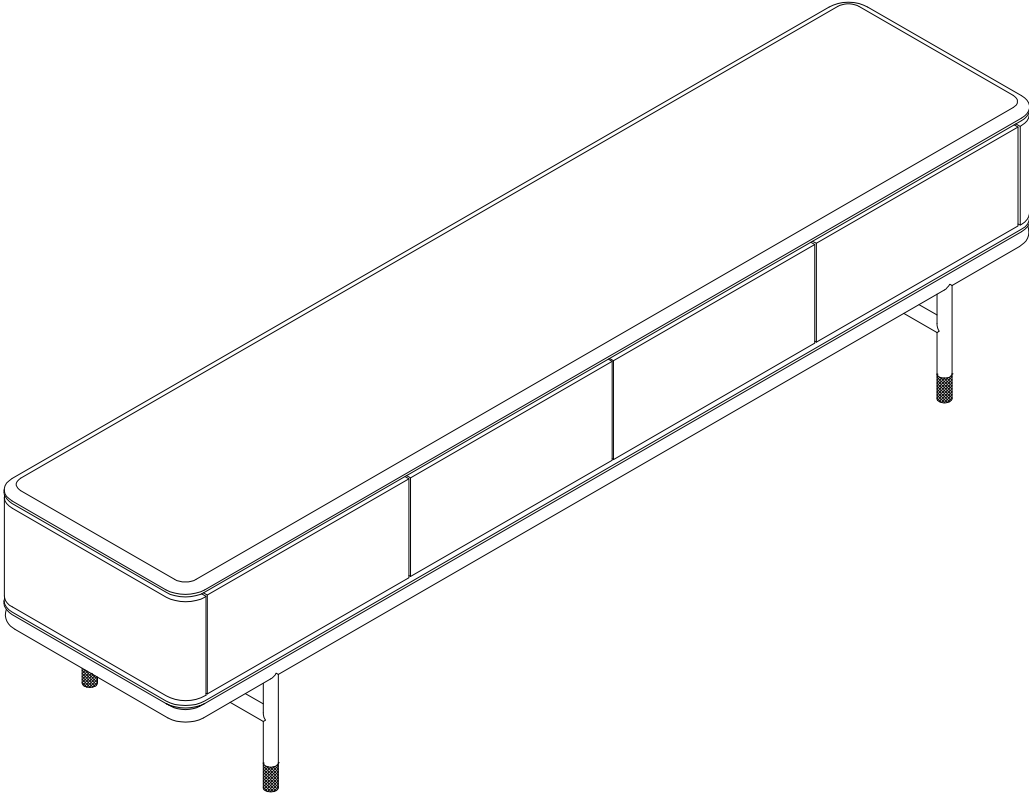
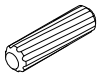
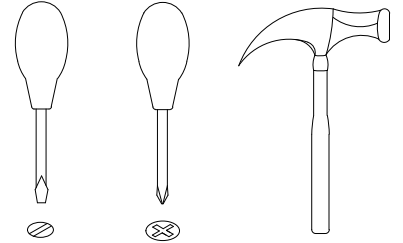
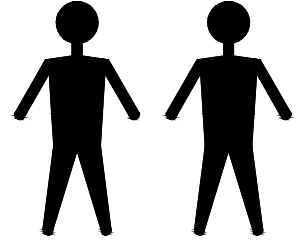


CP2308TV2-V/V

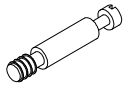


EAC

CP2308TV2-V/V



A x20
Spec: $\phi 8 \times 30$



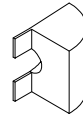
B x20
Spec: $\phi 7 \times L30$



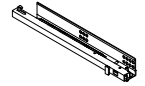
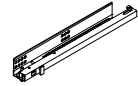
C x20
Spec: $\phi 15 \times H12$



D x16
Spec: $\phi 3.5 \times L16$



E x16
Spec: H13



F x4
Spec: L350



G x16
Spec: $\phi 3.5 \times L35$



H x16
Spec: $\phi 12 \times H9$



I x16
Spec: $\phi 12 \times H9$



J x16
Spec: $\phi 6 \times 30$



K x16
Spec: $\phi 6 \times L8$



L x24
Spec: $3.8 \times L19$



M x4
Spec: $\phi 15 \times 3\text{mm}$



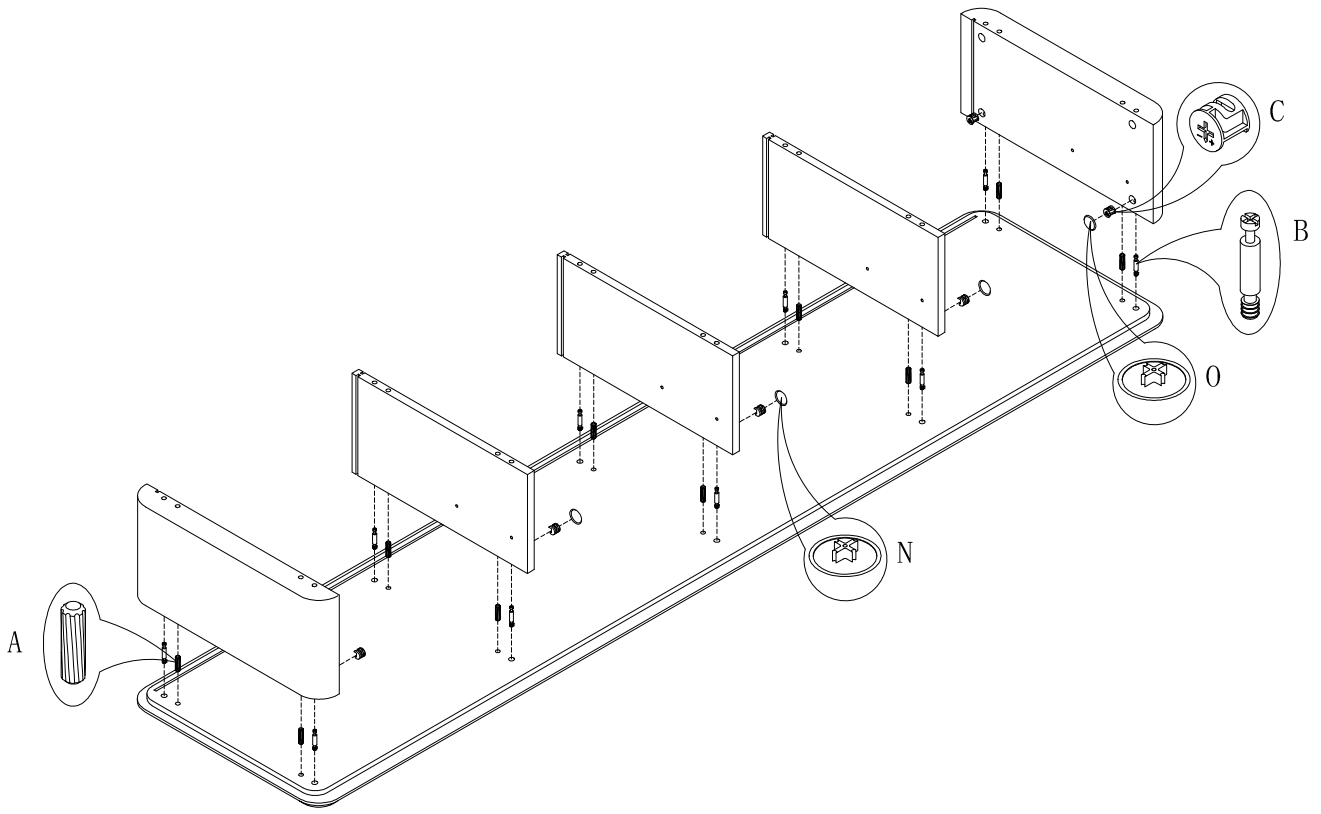
N x28
Spec:



O x8
Spec:

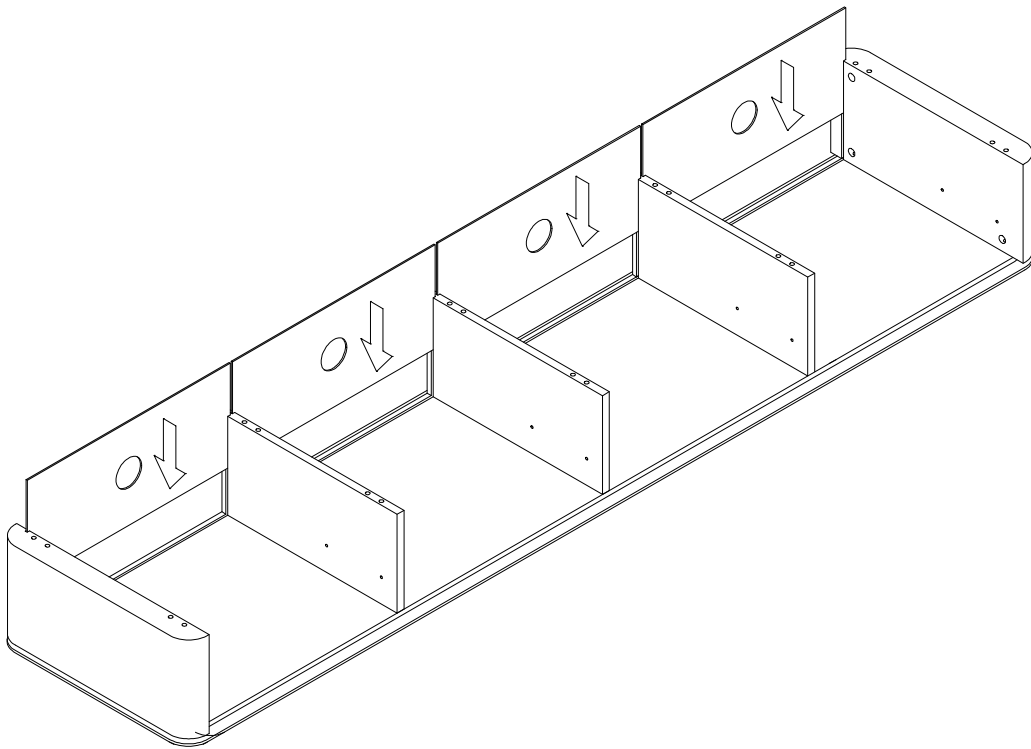


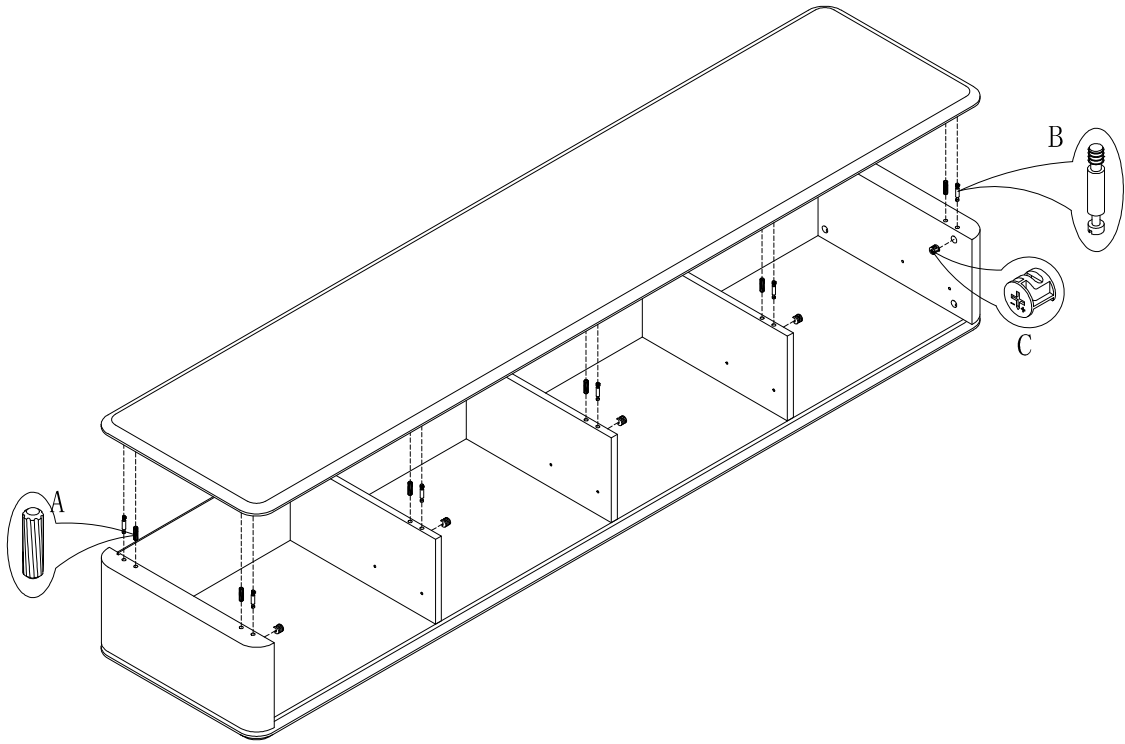
AAA x16
Spec: $\phi 3.8 \times L12$



1

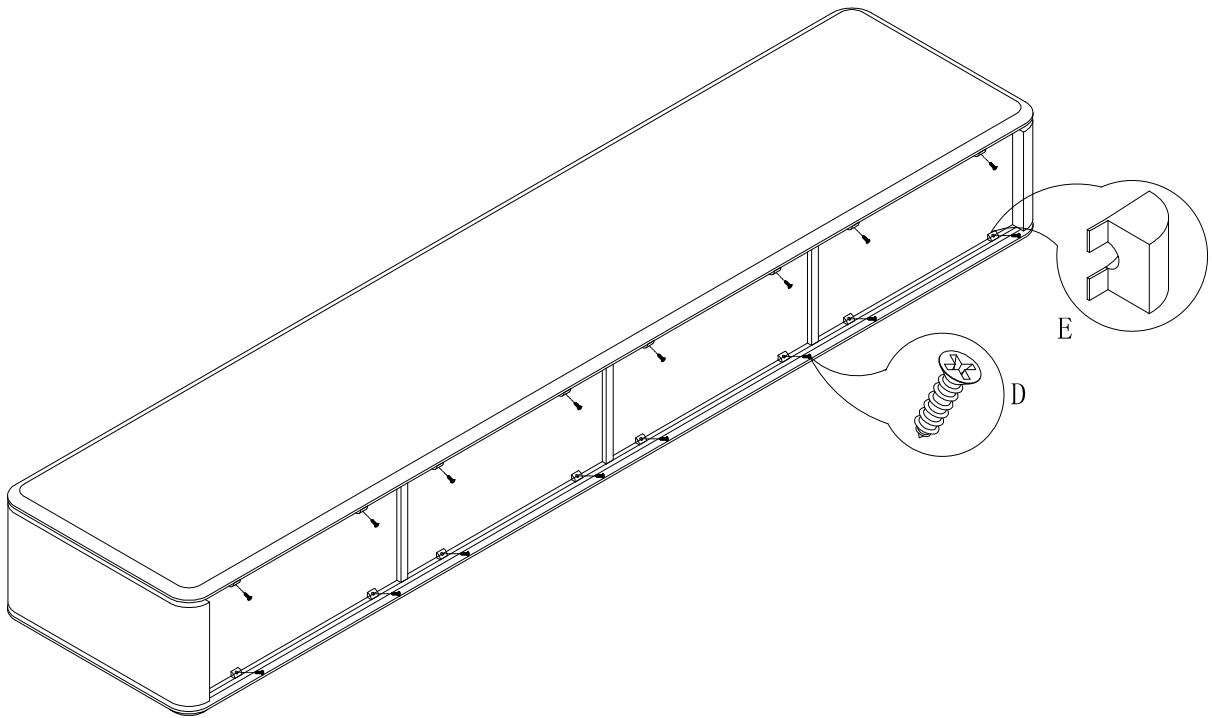
2

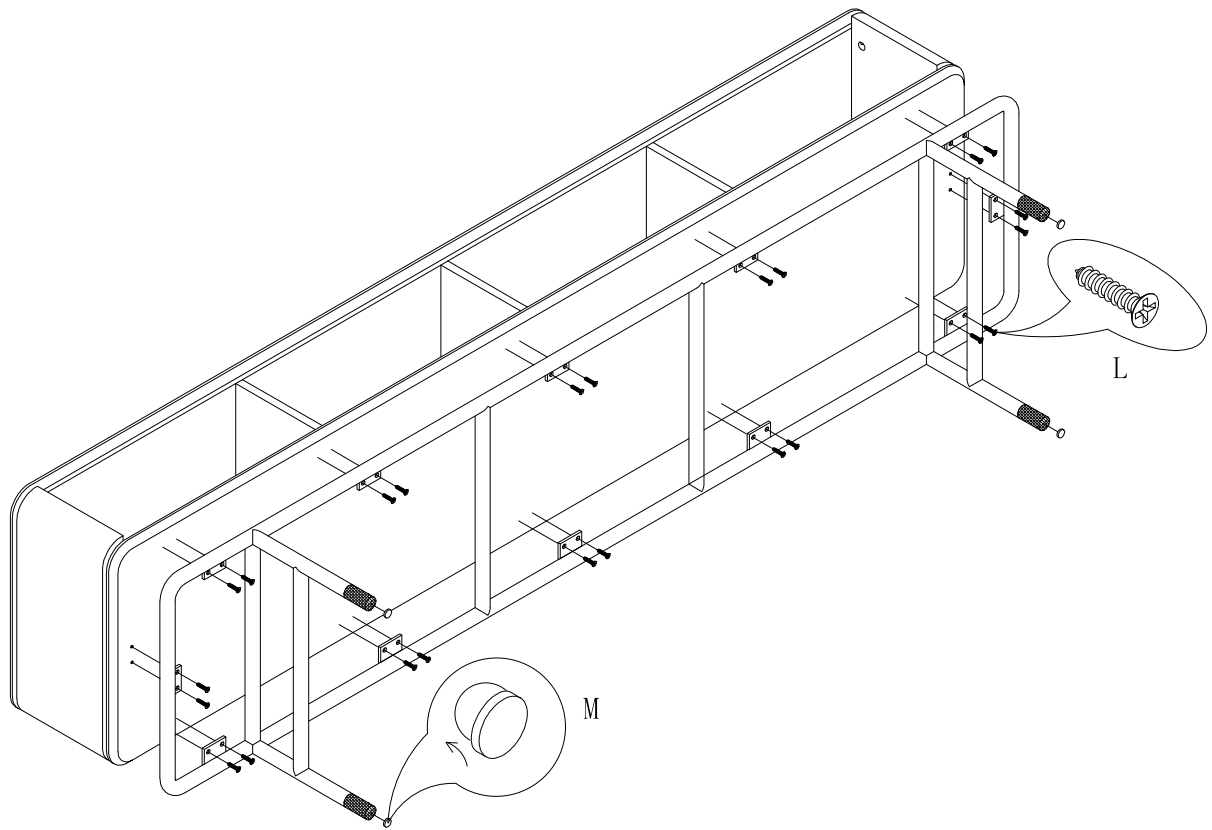




3

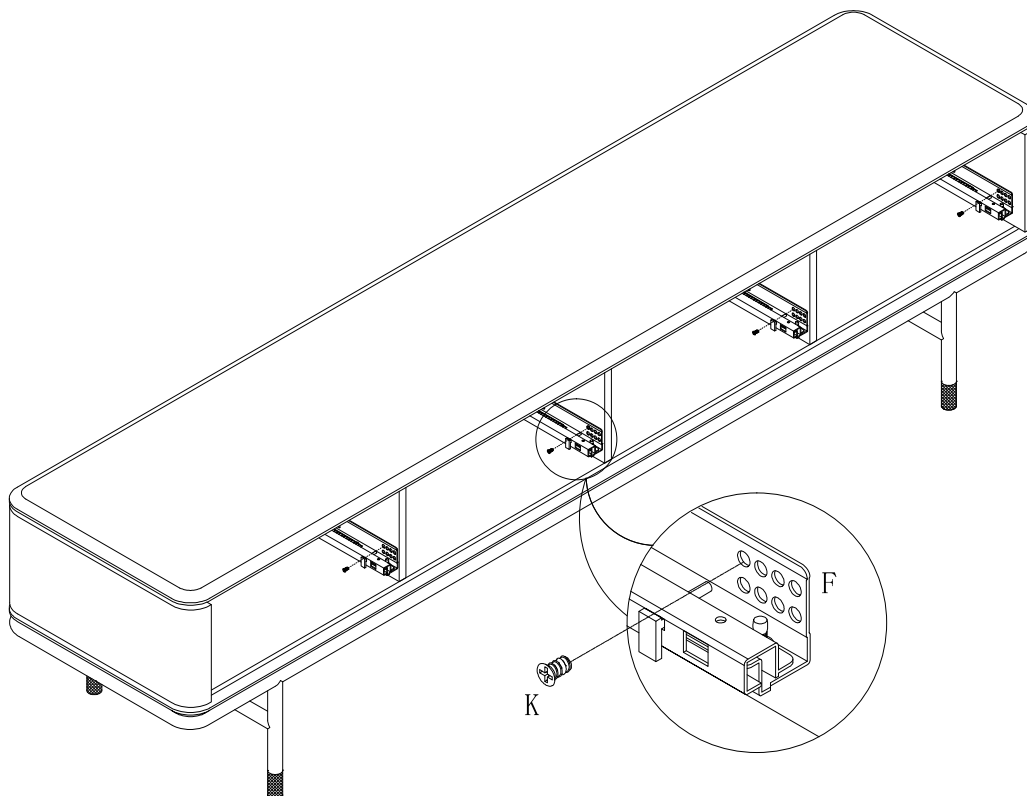
4

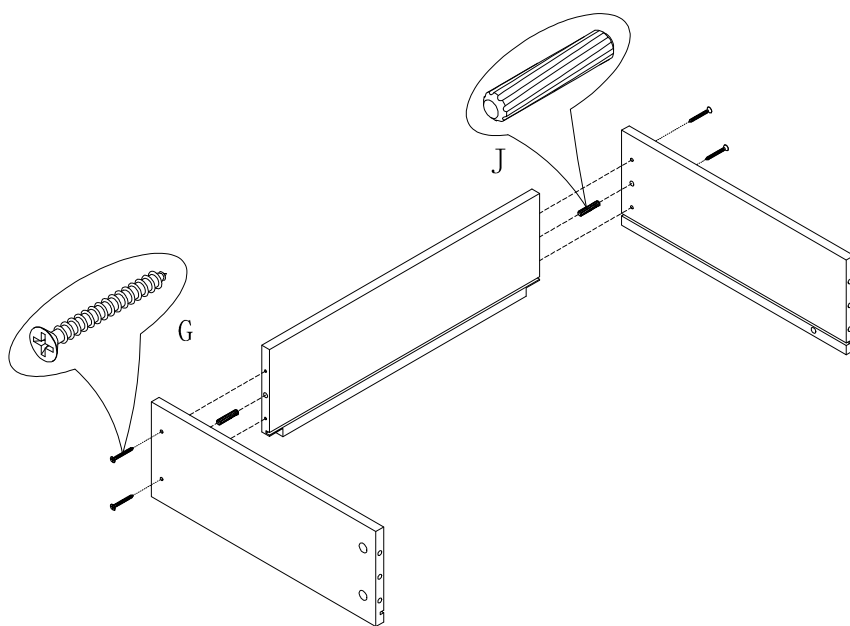




5

6





7

8

