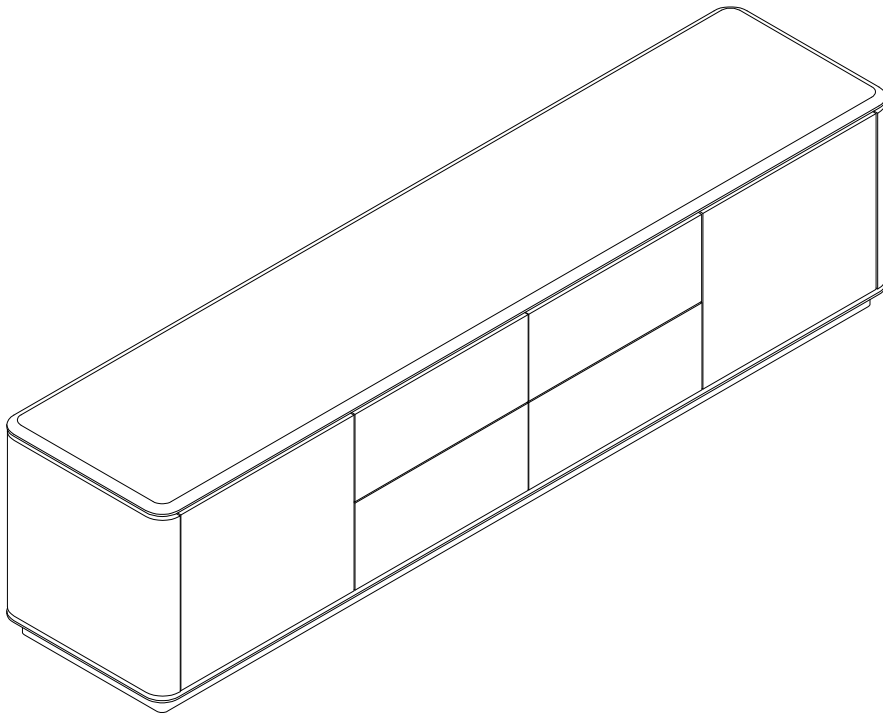


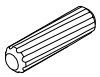
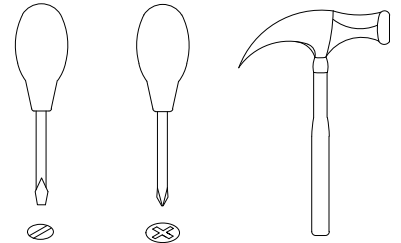
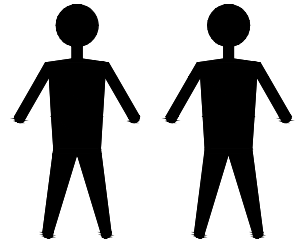


# CP2308TV4

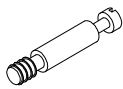


**EAC**

# # CP2308TV4



A x24  
Spec:  $\phi 8 \times 30$



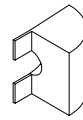
B x22  
Spec:  $\phi 7 \times L30$



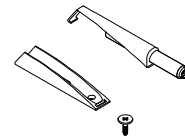
C x24  
Spec:  $\phi 15 \times H12$



D x16  
Spec:  $\phi 3.5 \times L16$



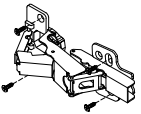
E x16  
Spec: H13



F x2  
Spec:



G x4  
Spec:  $\phi 3.5 \times L11$



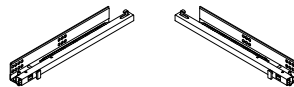
H x4  
Spec: 089#



I x8  
Spec:  $3.8 \times L16$



J x40  
Spec:



K x4  
Spec: L350



L x16  
Spec:  $\phi 3.5 \times L35$



M x16  
Spec:  $\phi 12 \times H9$



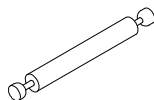
N x16  
Spec:  $\phi 12 \times H9$



O x16  
Spec:  $\phi 6 \times 30$



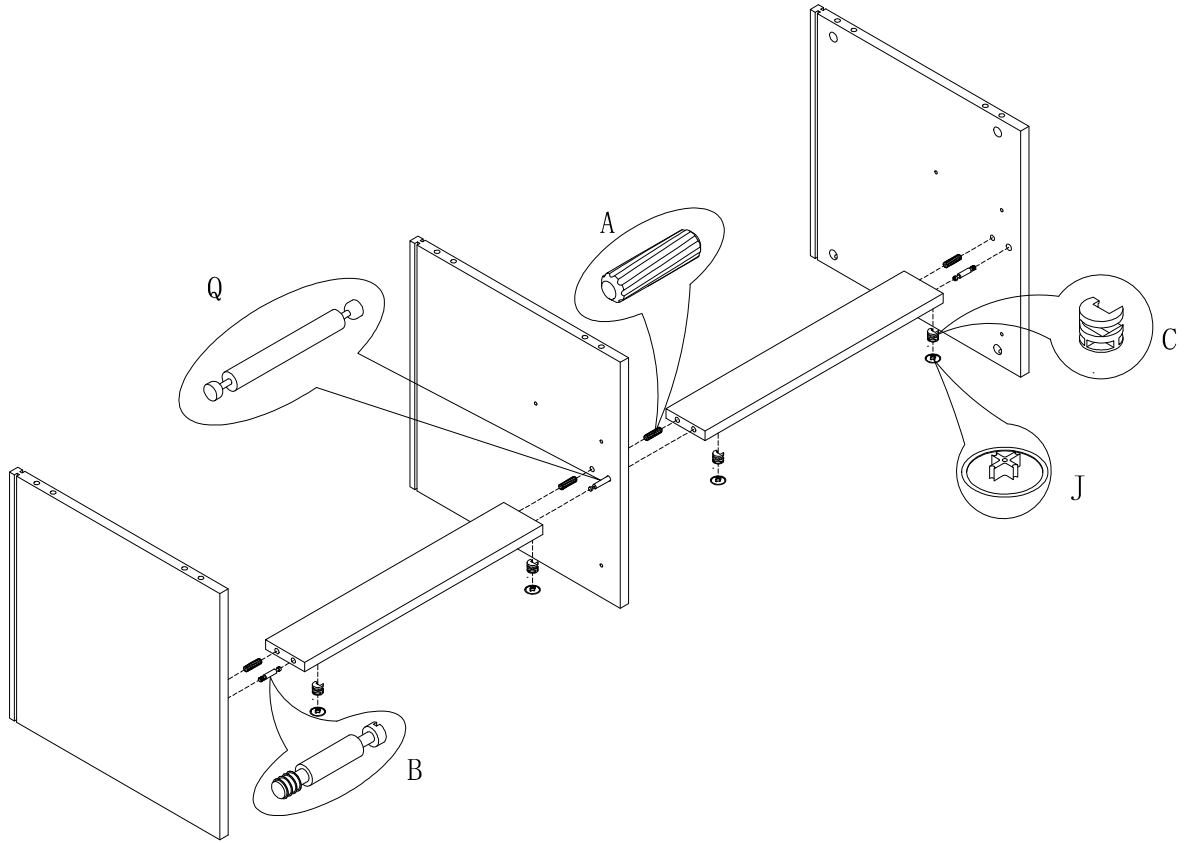
P x16  
Spec:  $\phi 6 \times L8$



Q x1  
Spec:  $\phi 7 \times L66$

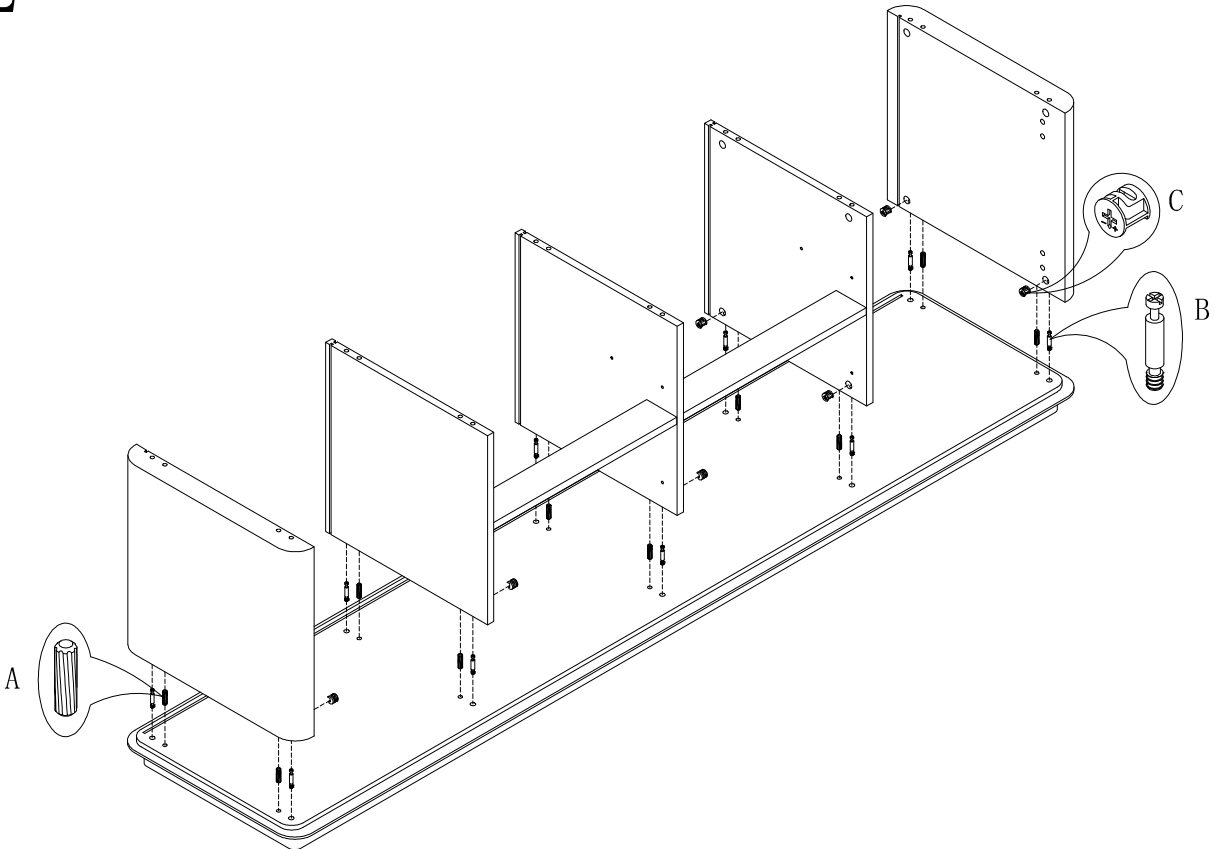


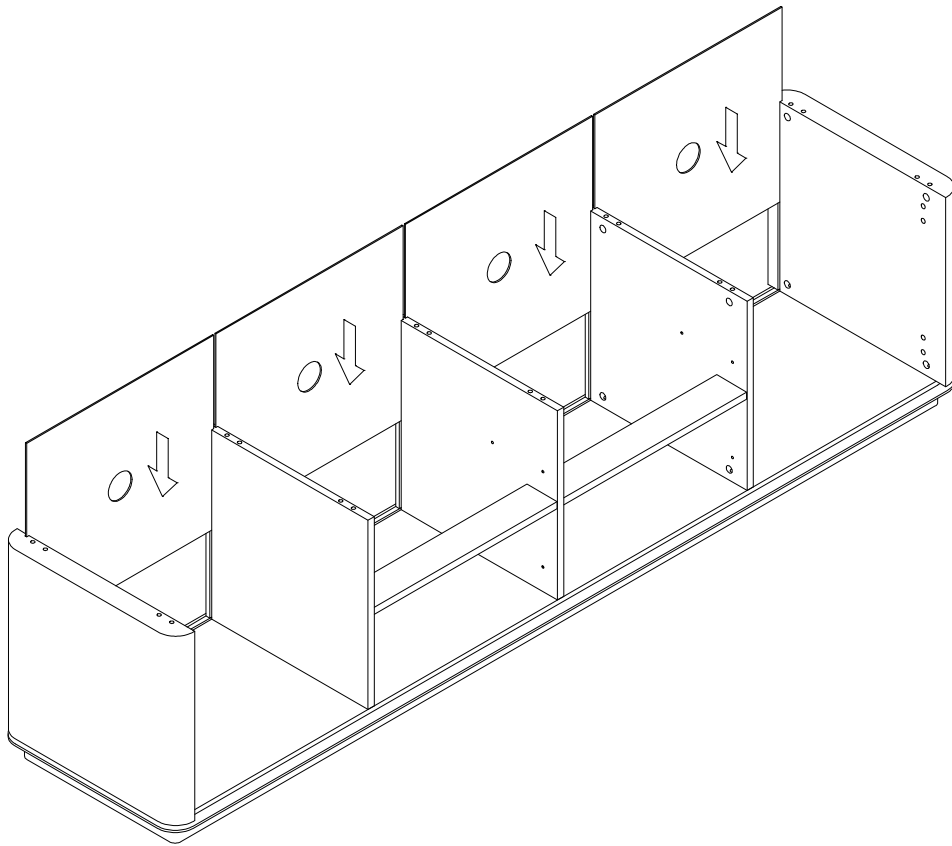
AAA x16  
Spec:  $\phi 3.8 \times L12$



1

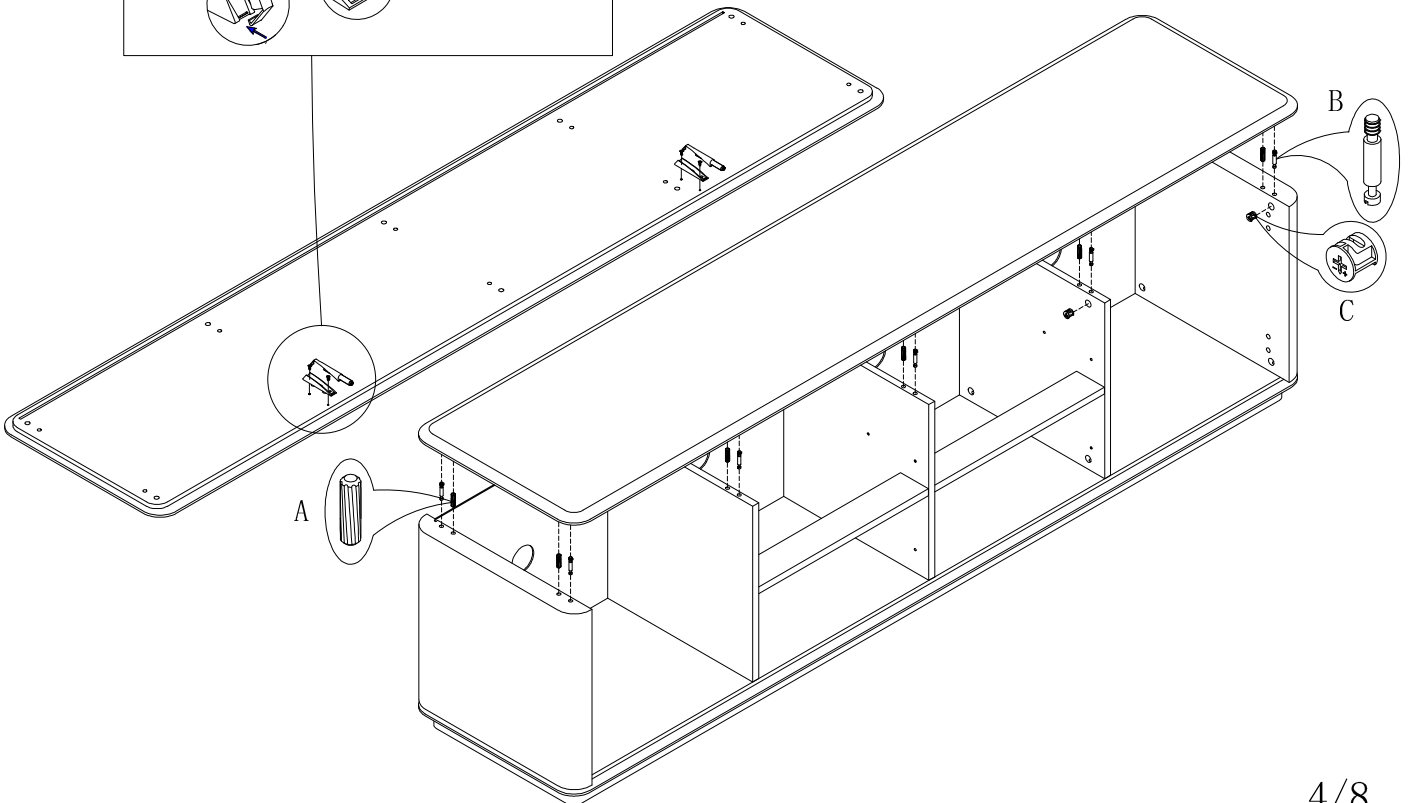
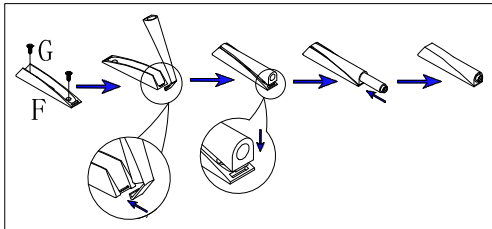
2

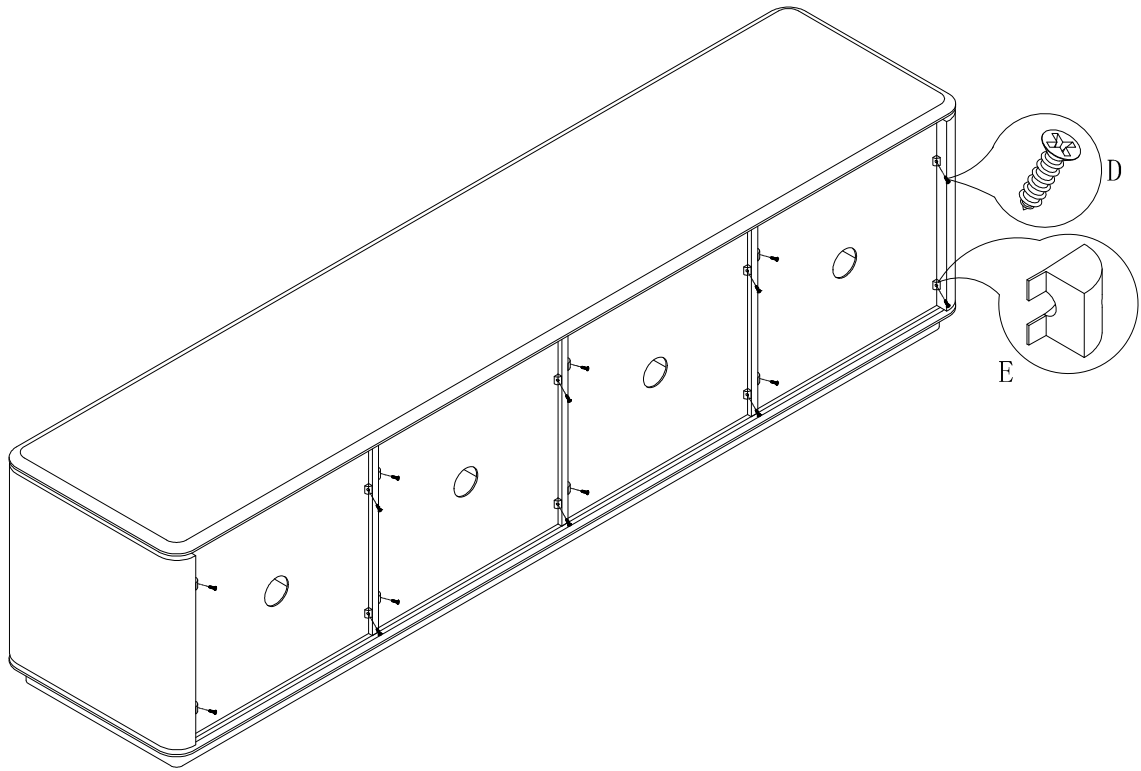




3

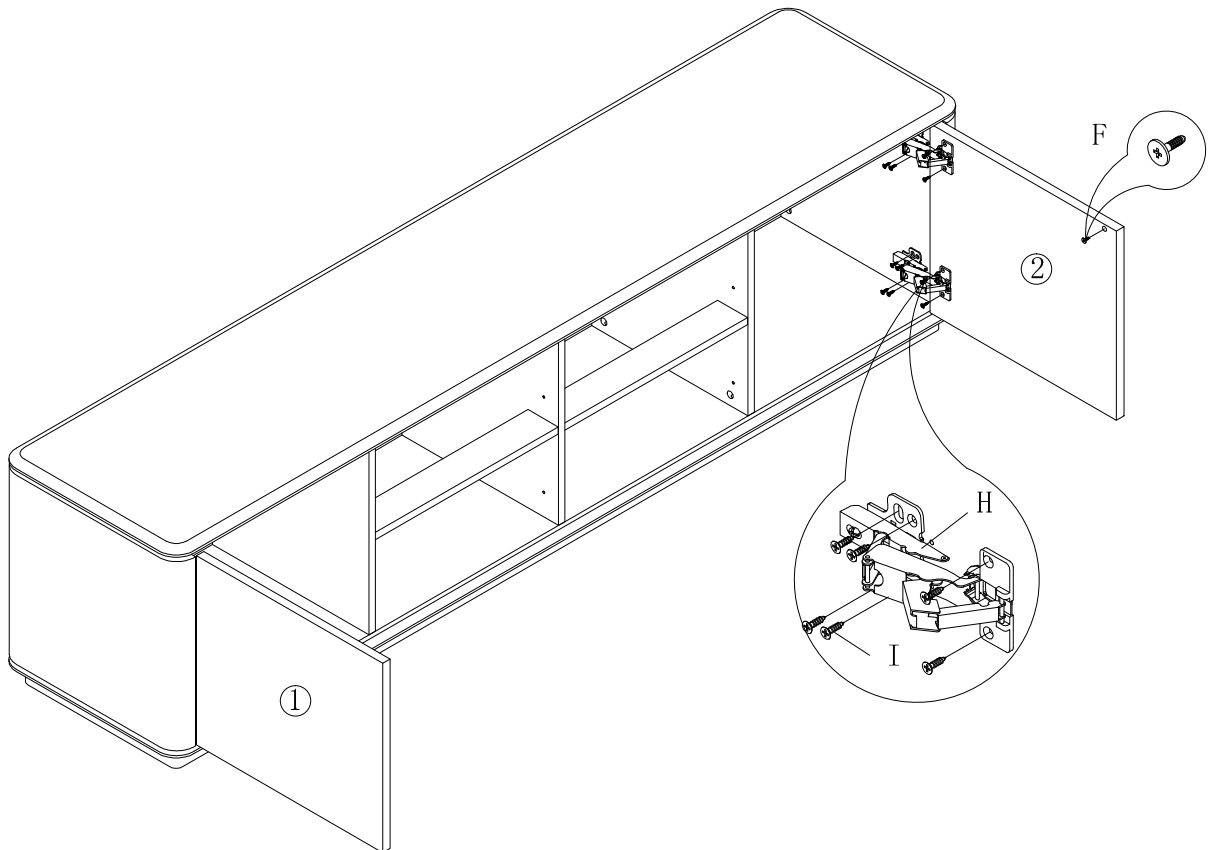
4

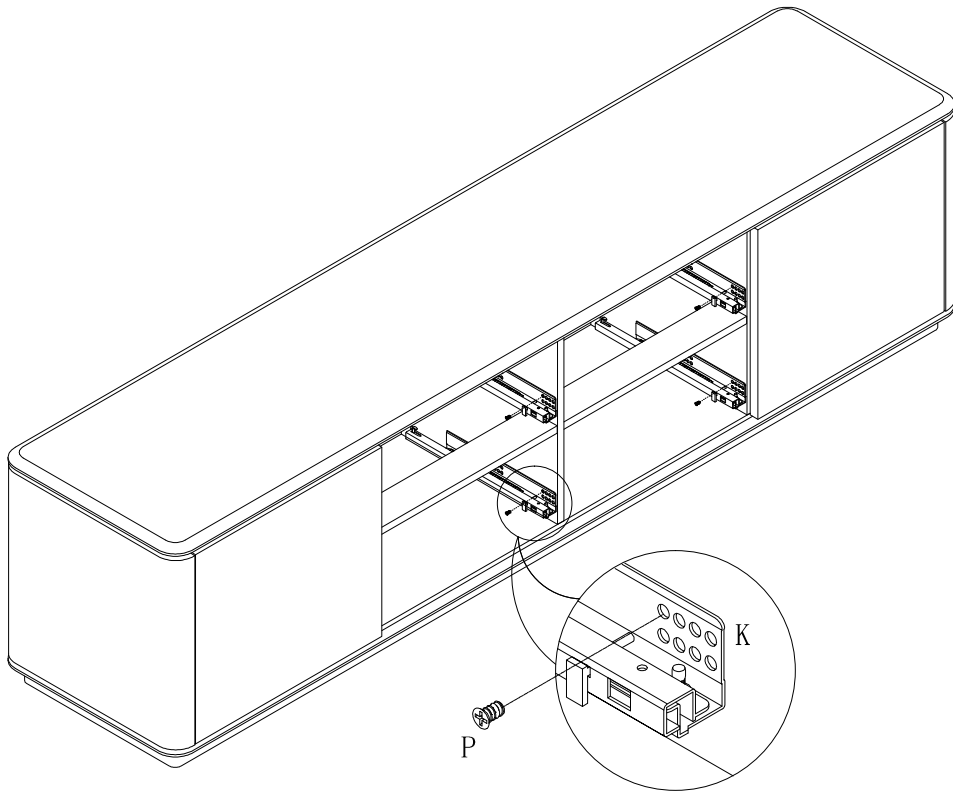




5

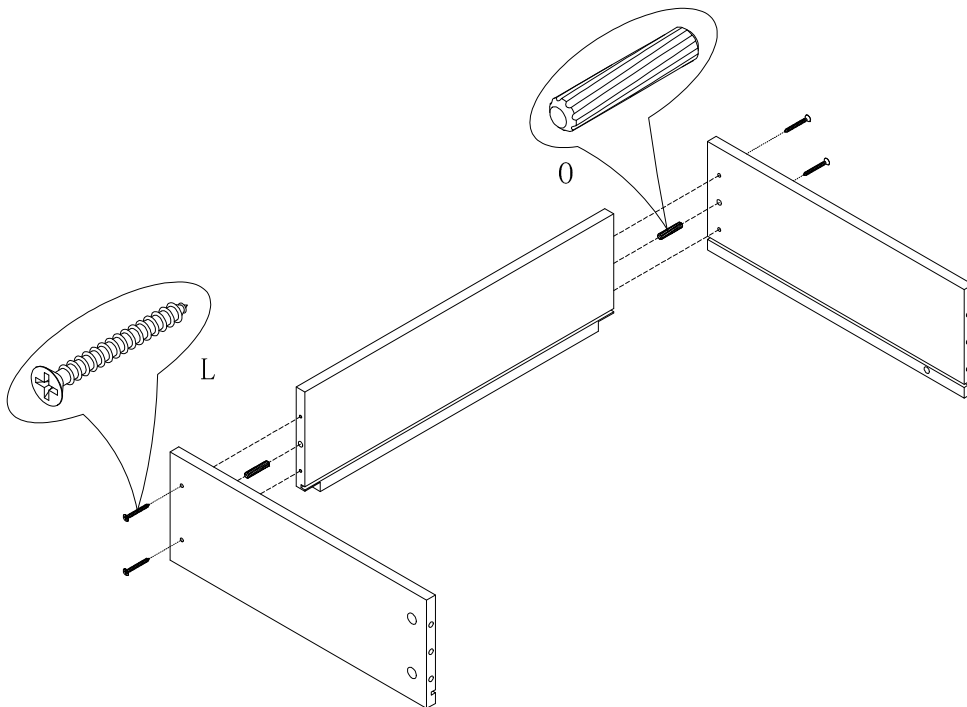
6

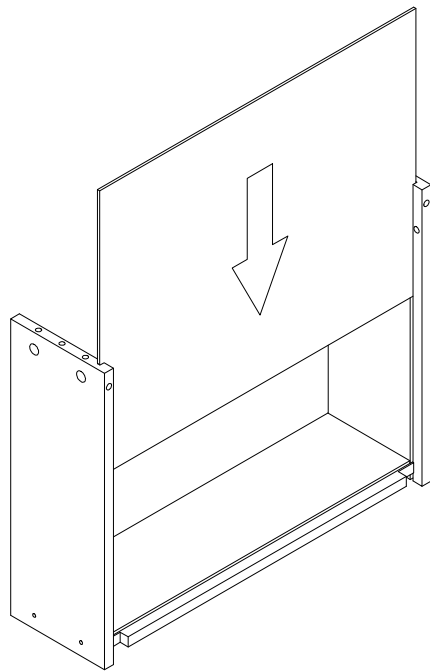




7

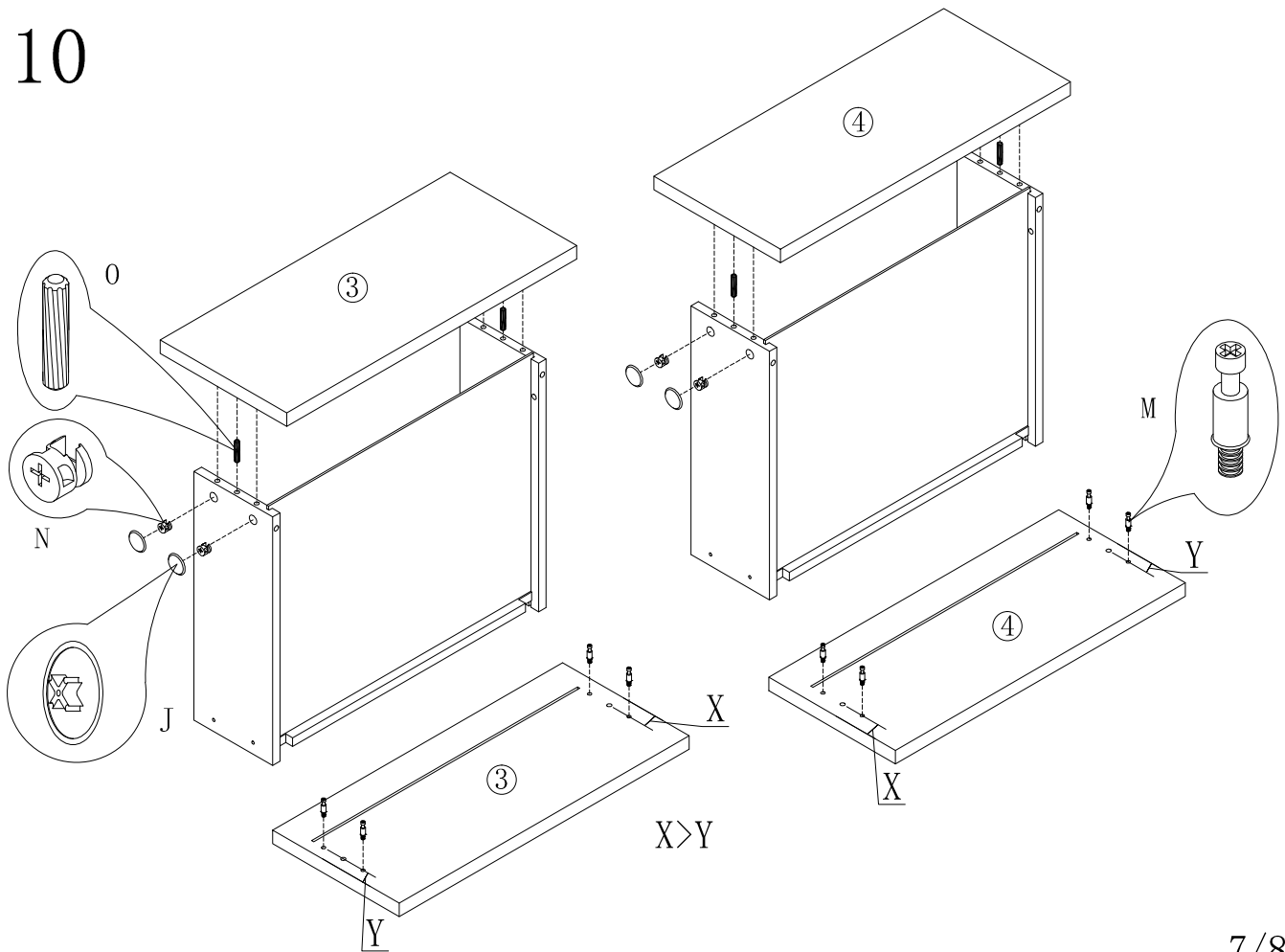
8

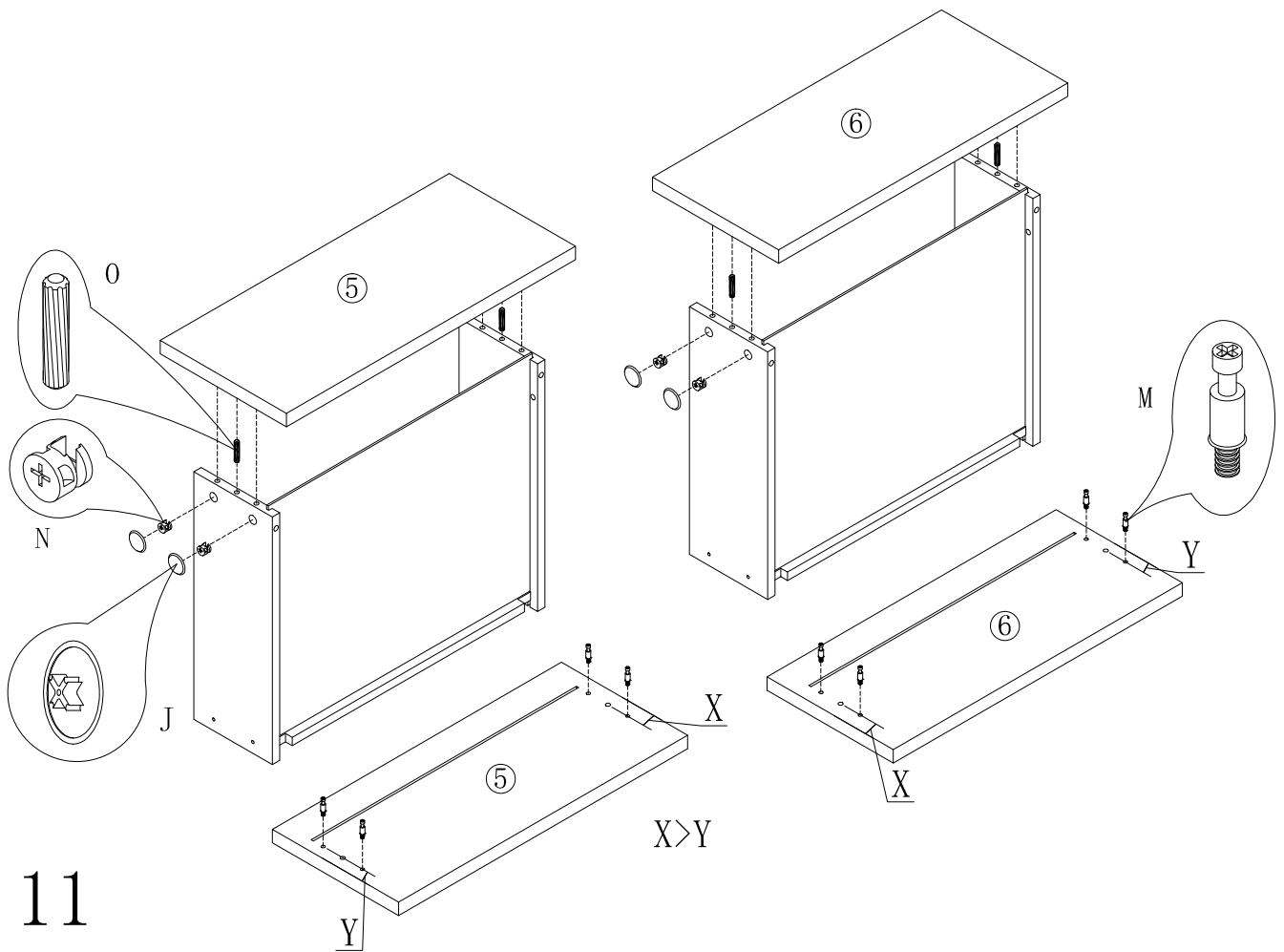




9

10





12

