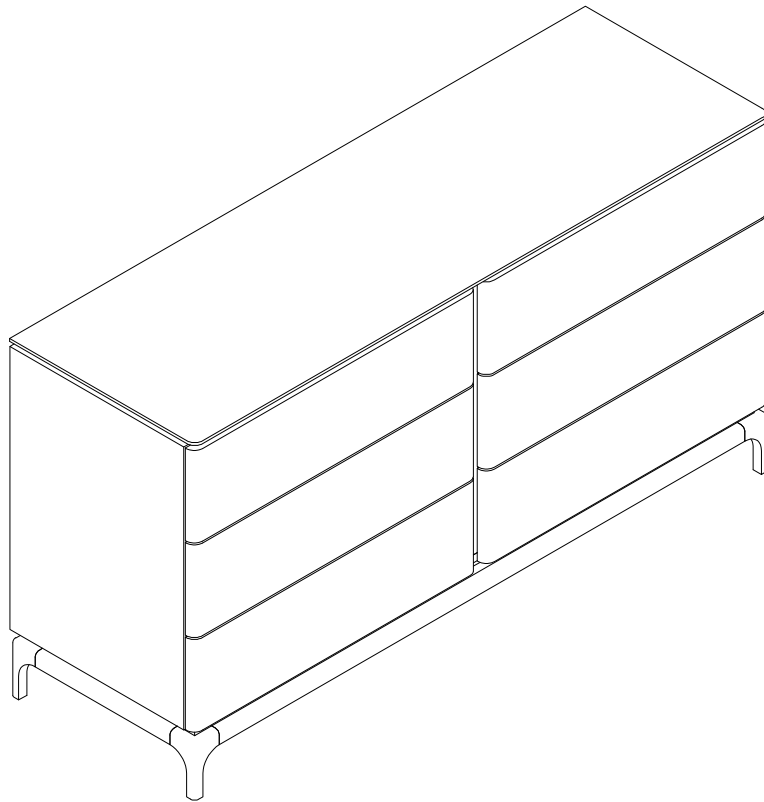


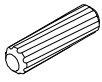
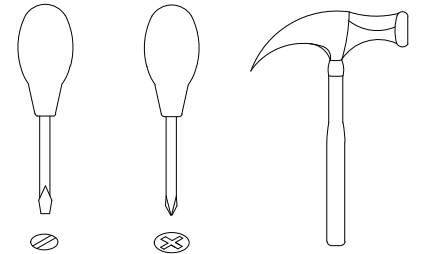
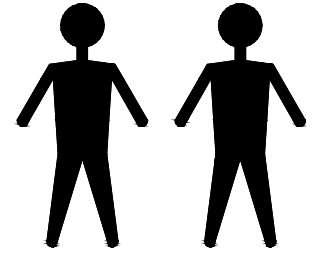


CP2303C2-140-V/V

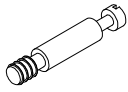


EAC

CP2303C2-140-V/V



A x32
Spec: $\phi 8 \times 30$



B x20
Spec: $\phi 7 \times L30$



C x20
Spec: $\phi 15 \times H12$



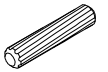
D x36
Spec: $\phi 6 \times L28$



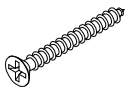
E x36
Spec: $\phi 12 \times H9$



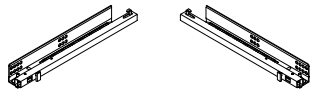
F x24
Spec: $\phi 6 \times L8$



G x54
Spec: $\phi 6 \times 30$



H x24
Spec: $\phi 3.5 \times L35$



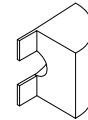
I x6
Spec: L350



J x14
Spec: $\phi 4 \times L25$



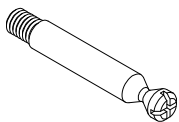
K x12
Spec: $\phi 3.5 \times L16$



L x12
Spec: H13



M x4
Spec:



N x16
Spec: $\phi 7 \times L48$



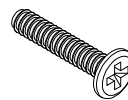
O x16
Spec: $\phi 15 \times H15$



P x32
Spec:



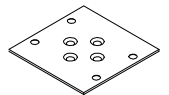
Q x12
Spec: $\phi 8 \times \phi 14$



R x12
Spec: M6*35



S x48
Spec:



T x1
Spec: 78*78*1.8



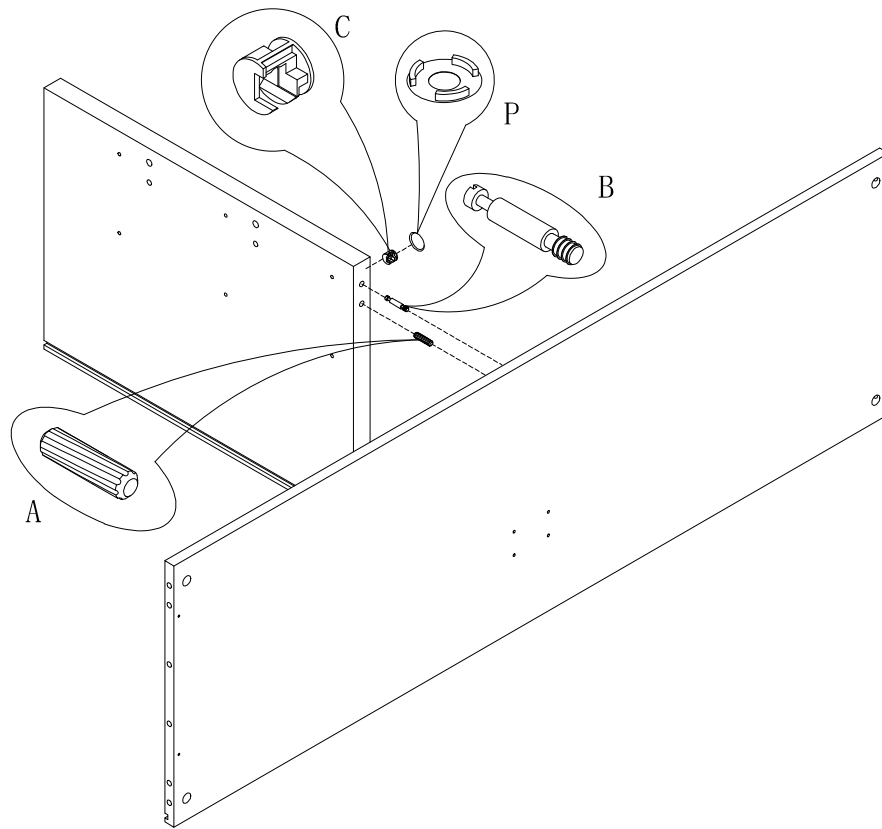
U x4
Spec: $\phi 4 \times L16$



V x4
Spec: $\phi 3.5 \times L20$

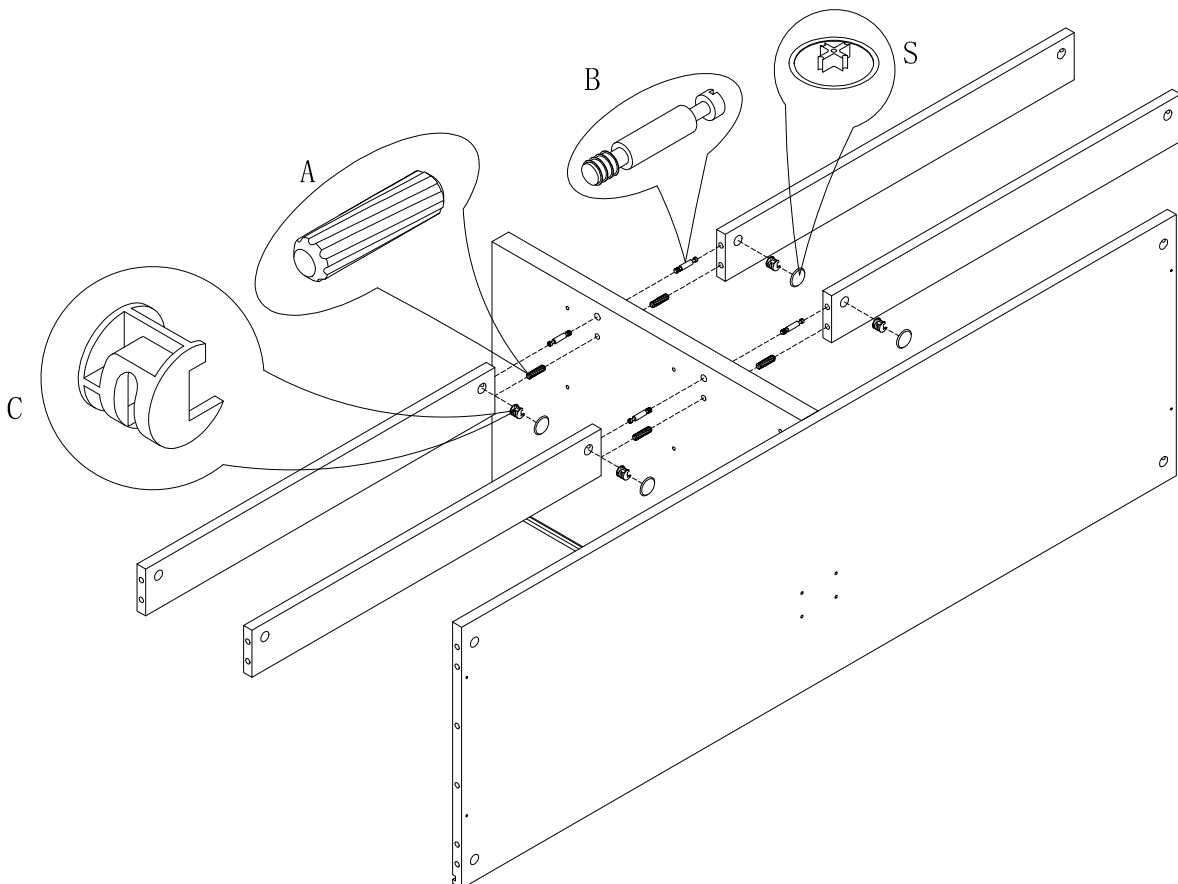


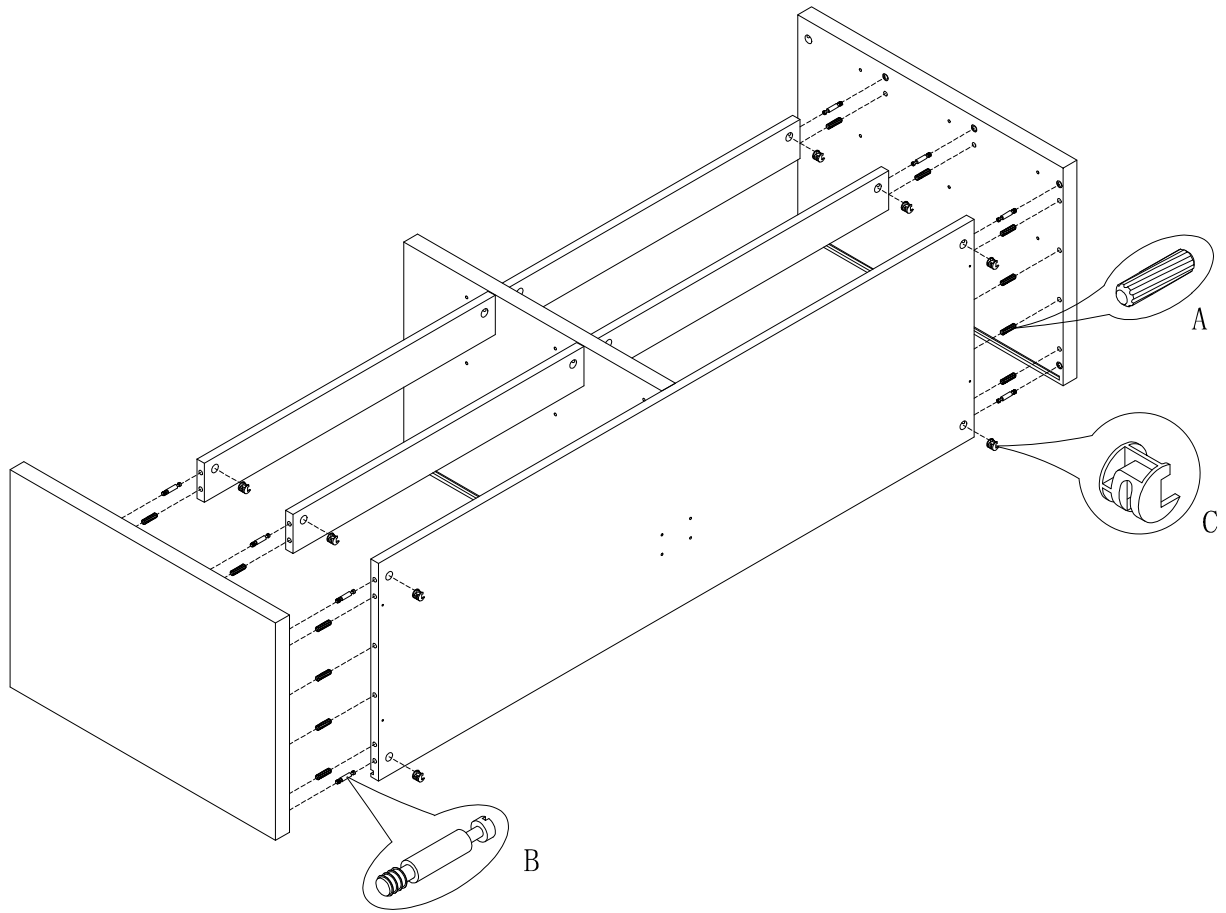
AAA x24
Spec: $\phi 3.8 \times L12$



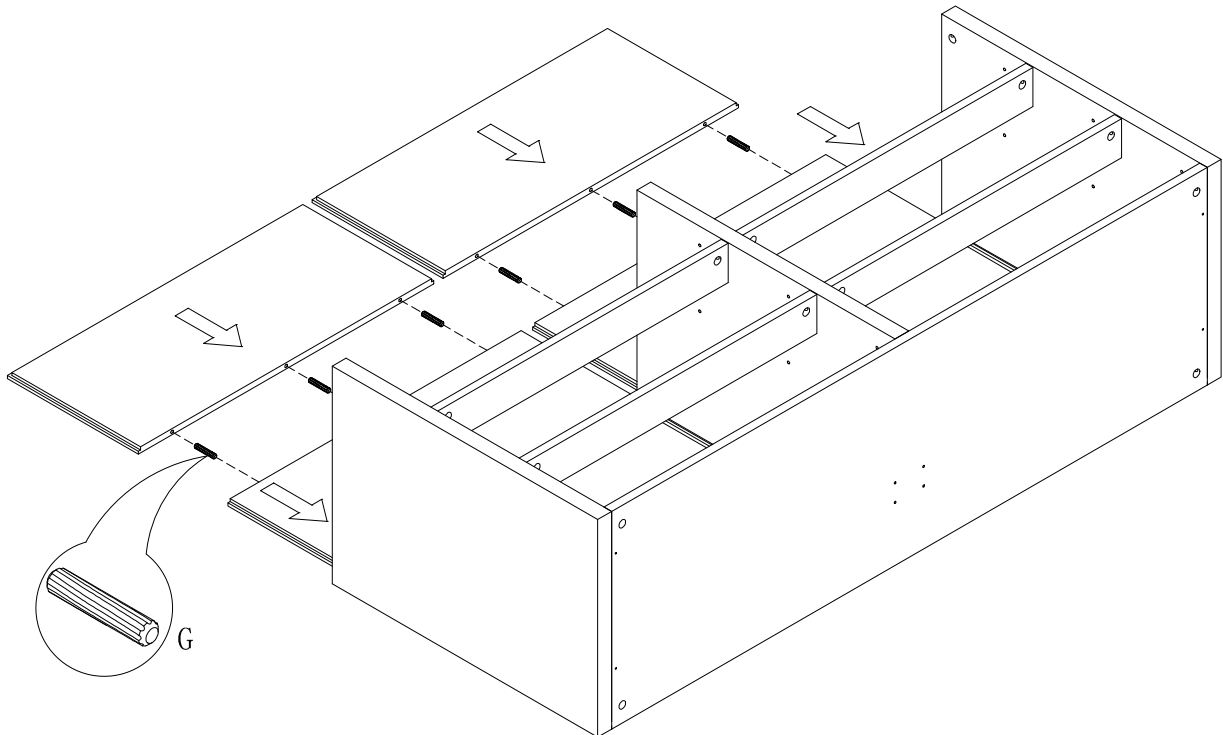
1

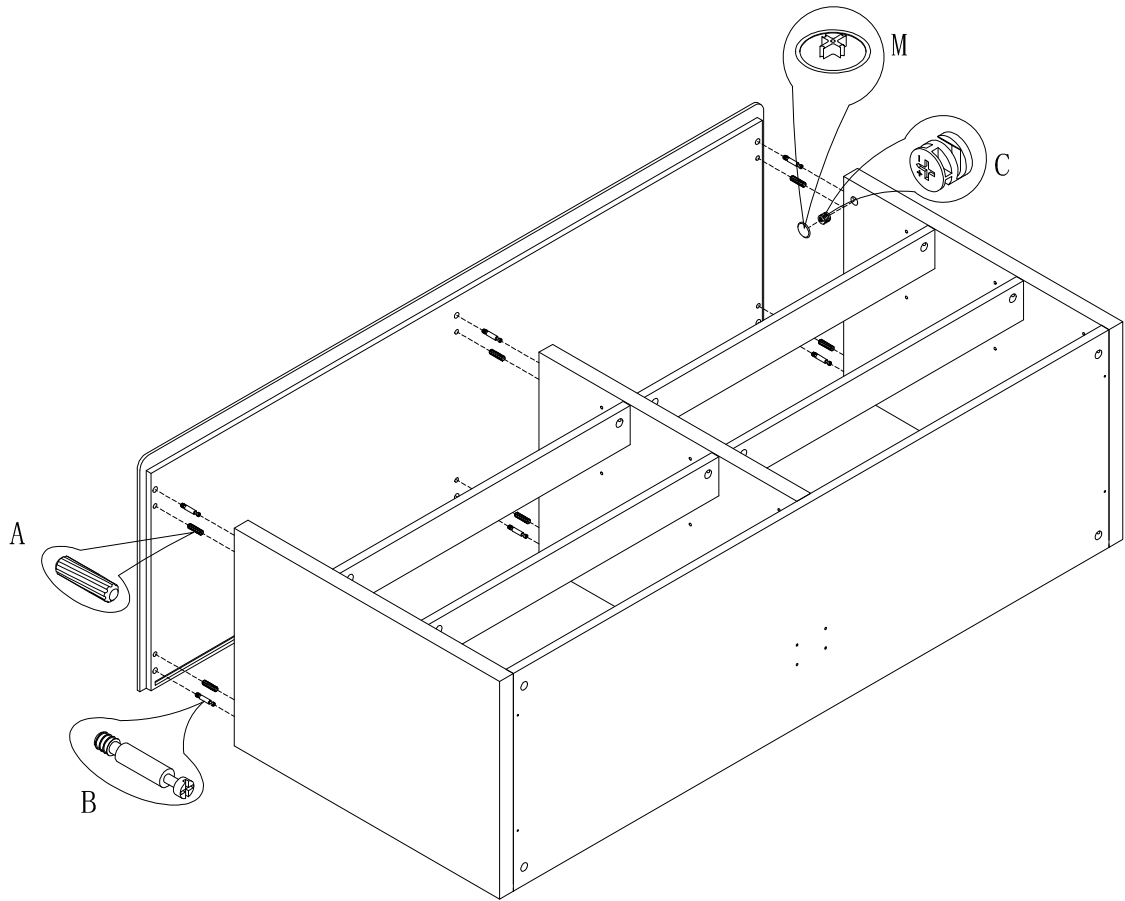
2





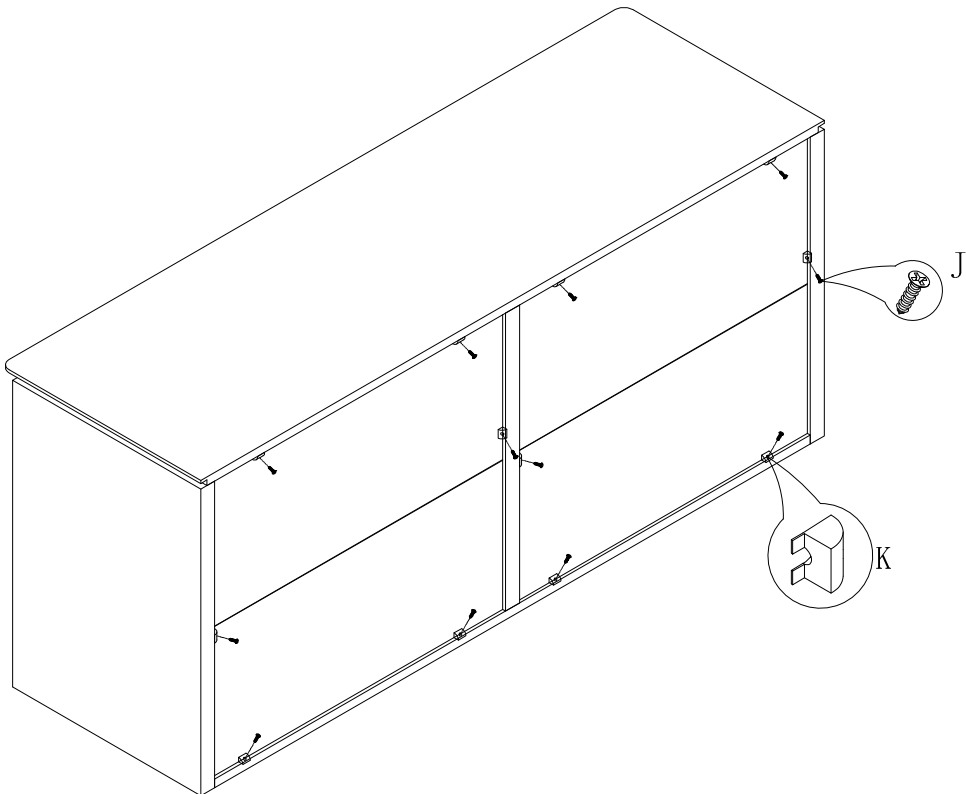
4

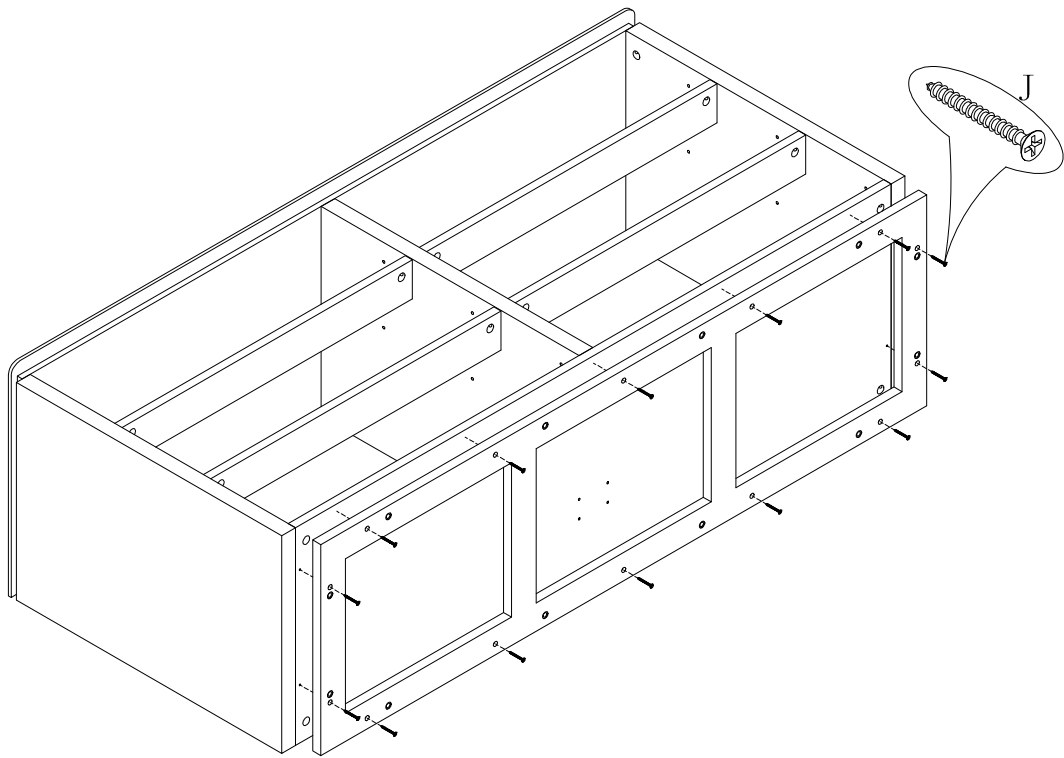




5

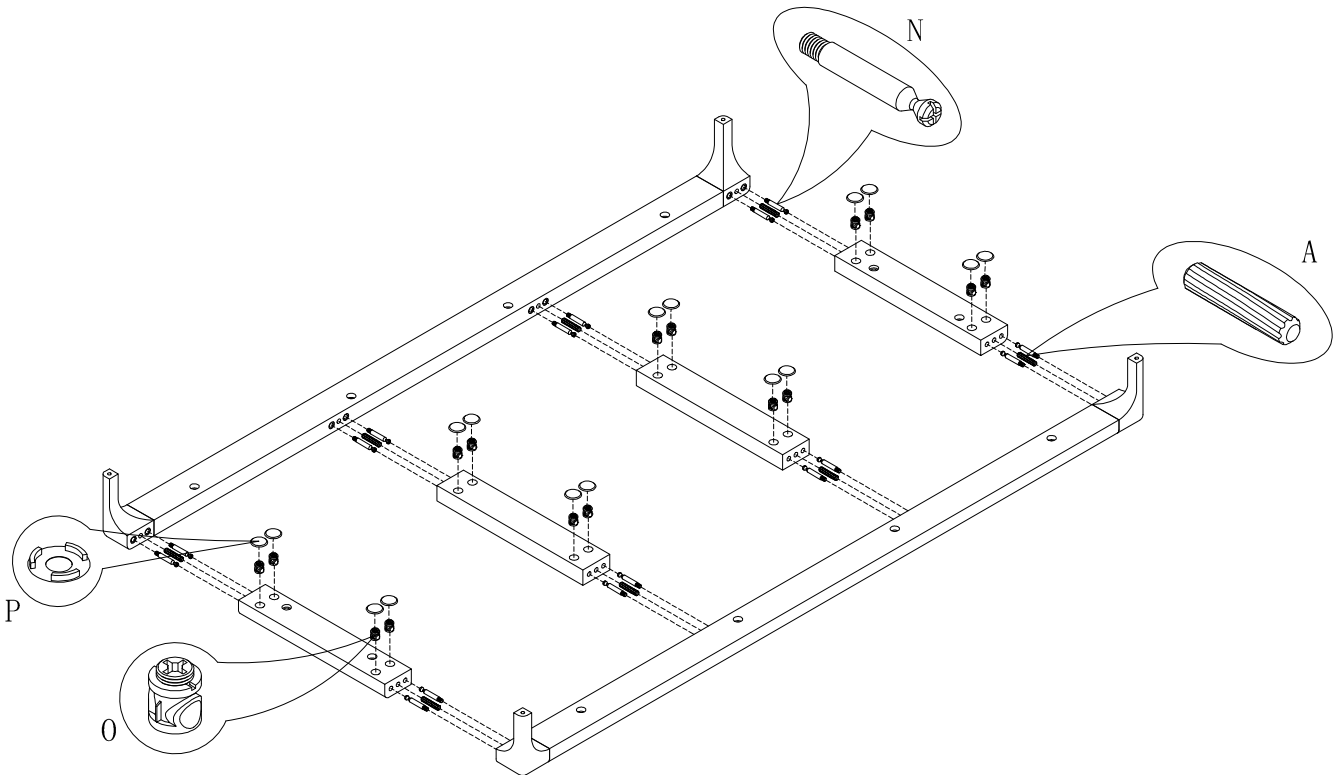
6

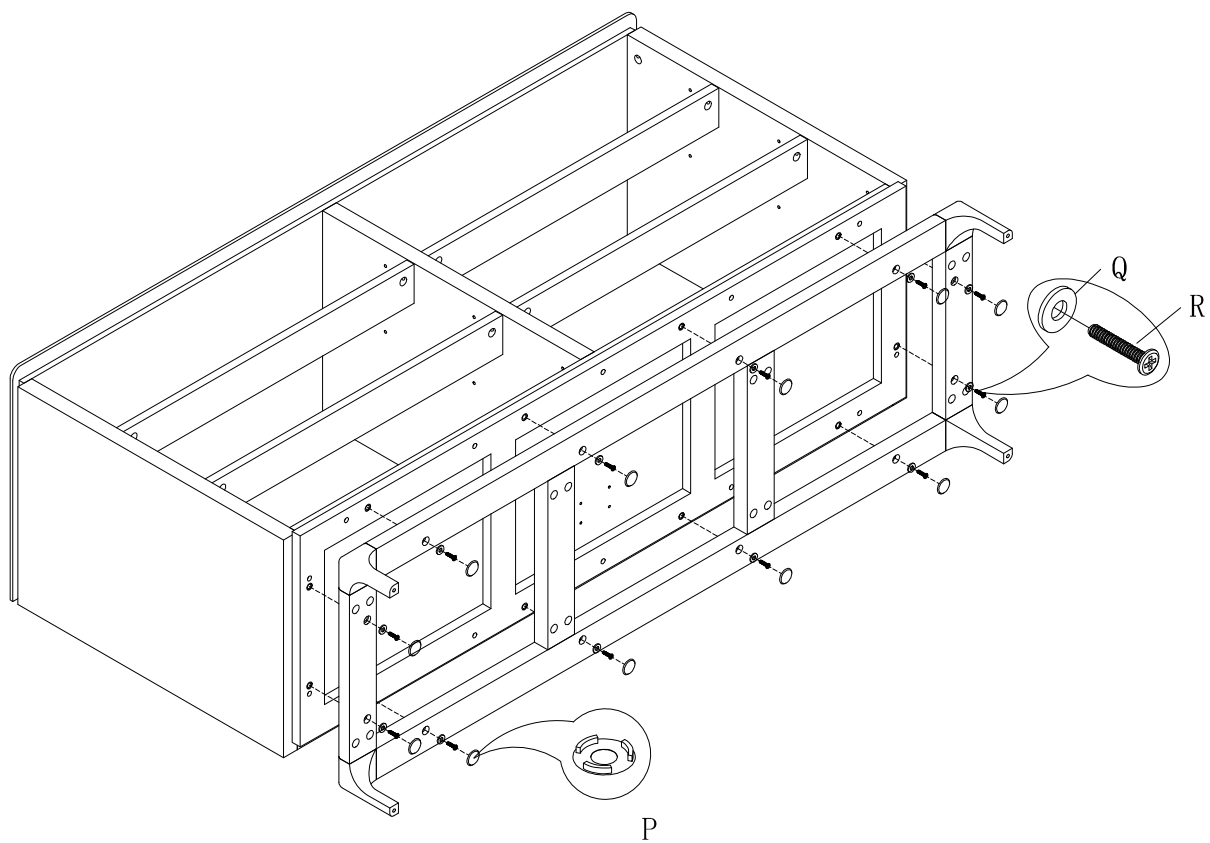




7

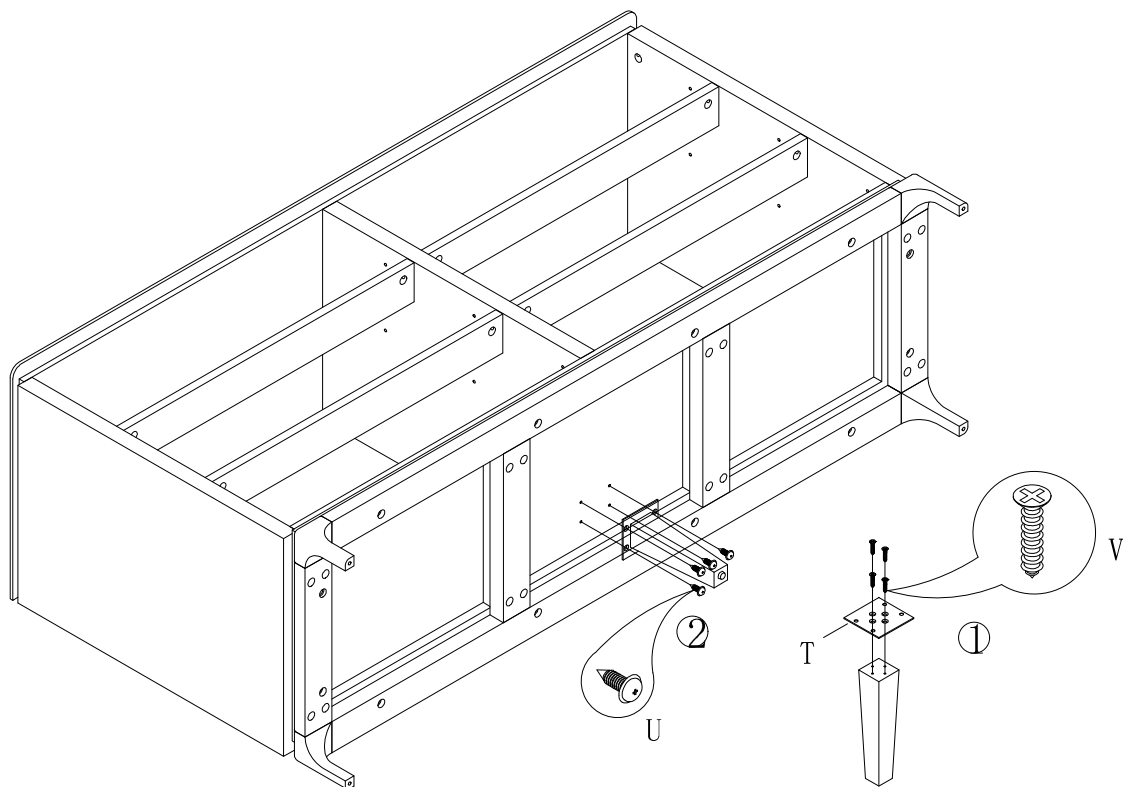
8

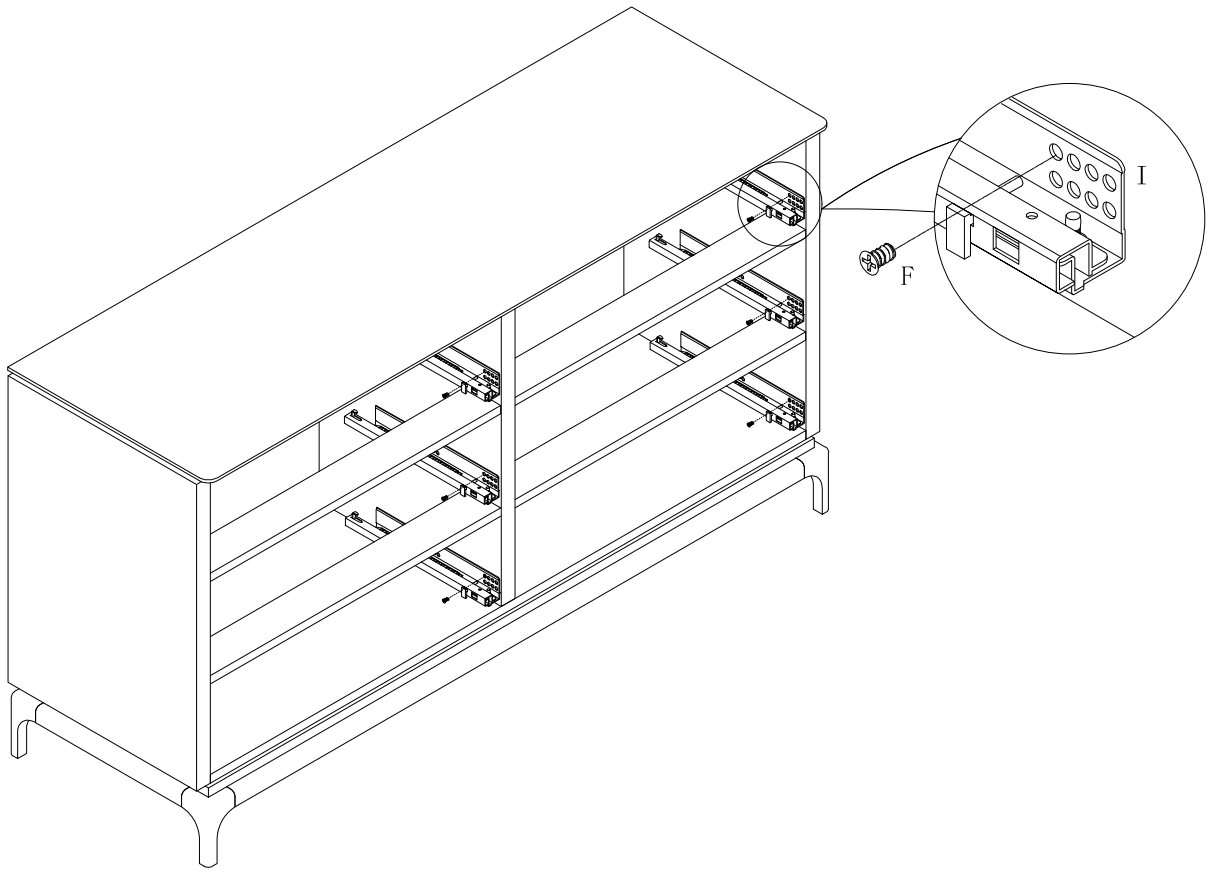




9

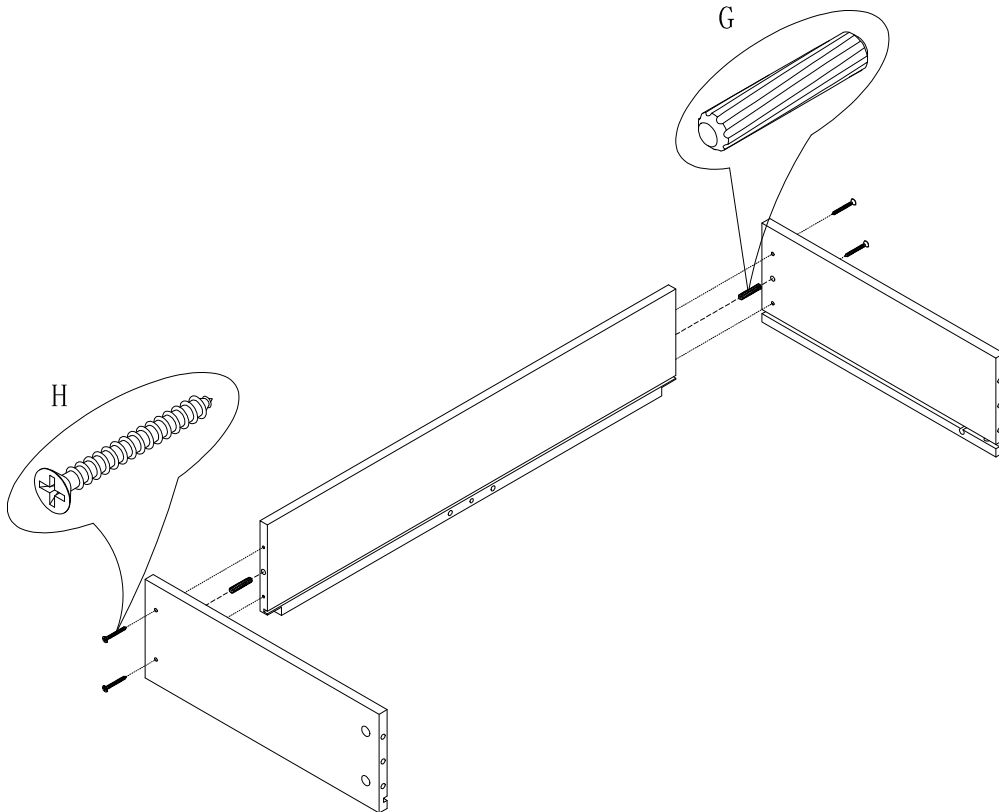
10

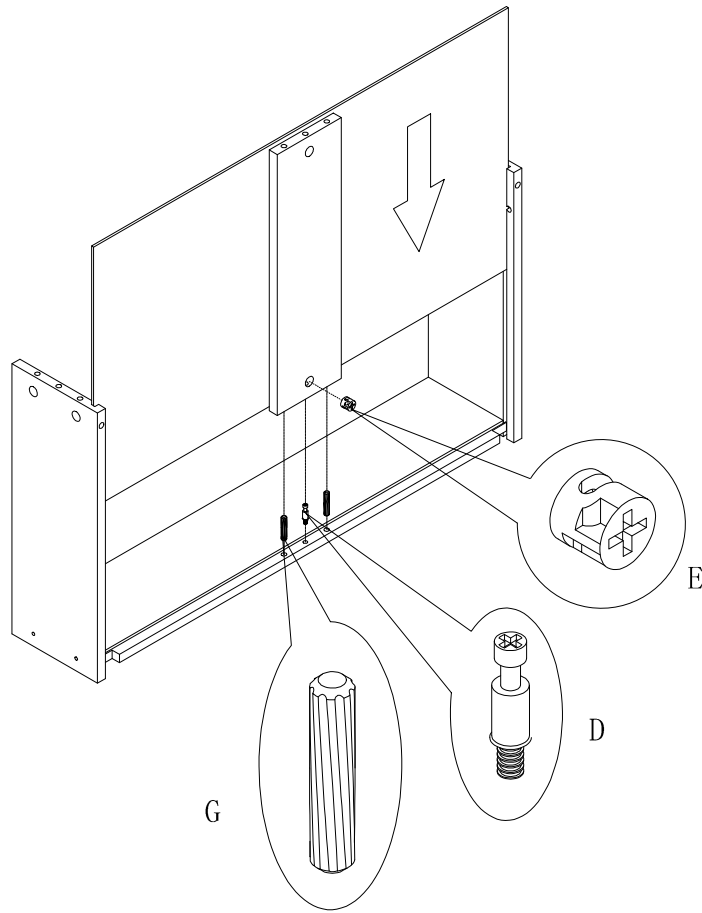




11

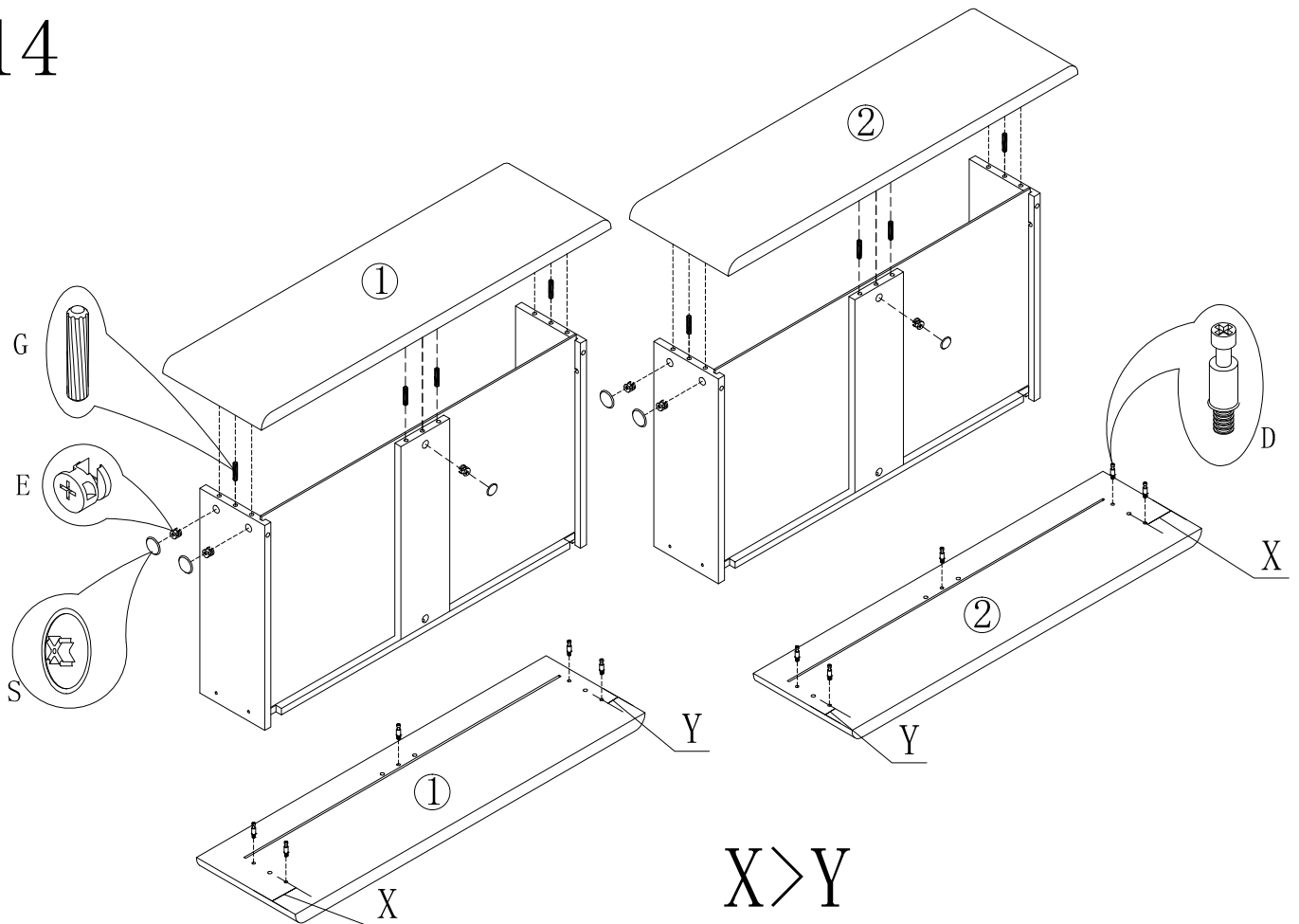
12

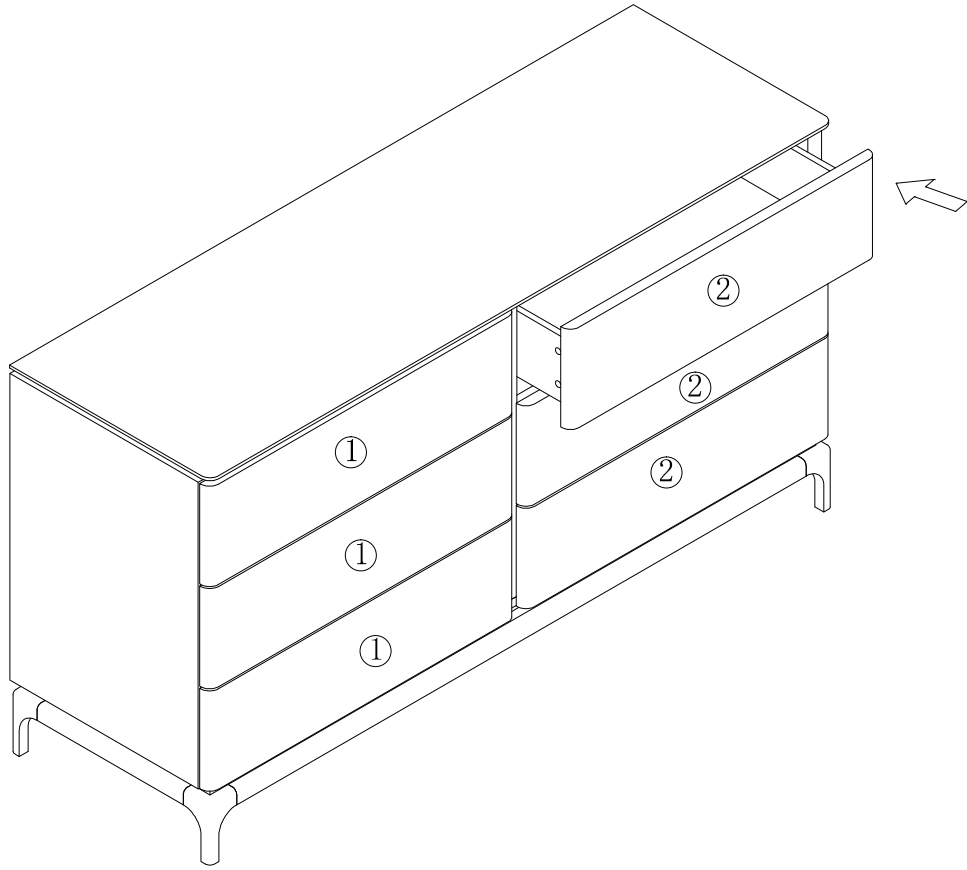




13

14





15
