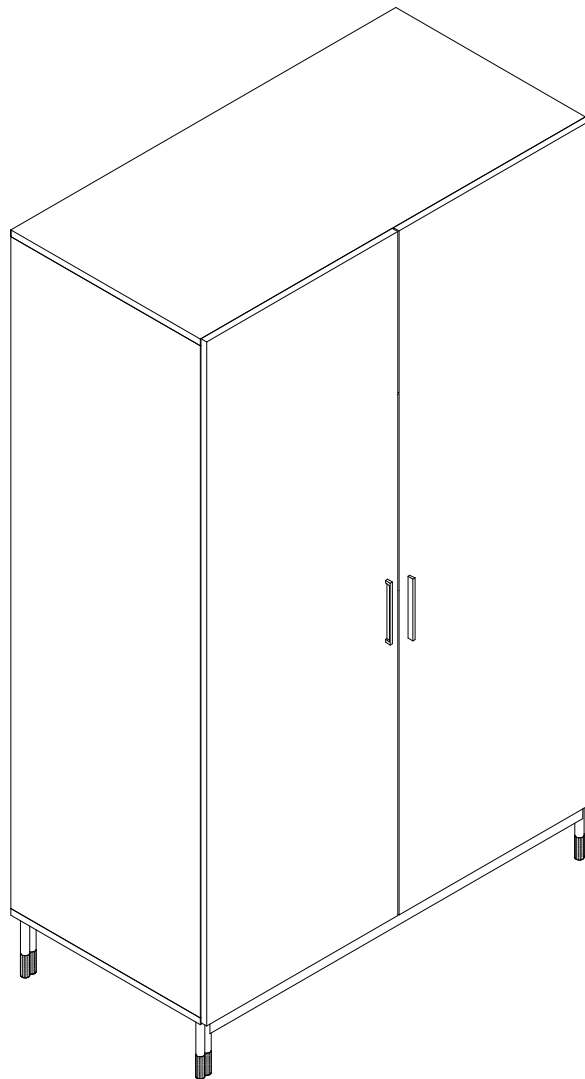


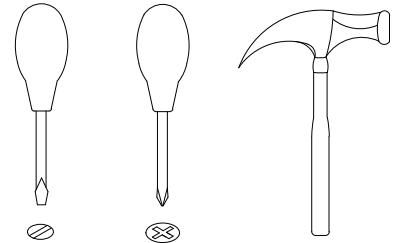
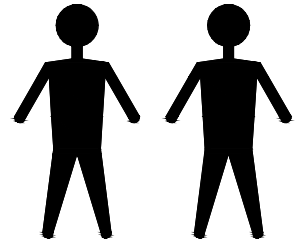


CPM5382-120200

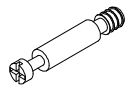


EAC

CPM5382-120200



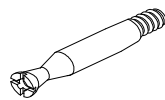
A x20
Spec: $\phi 8 \times 30$



B x19
Spec: $\phi 7 \times L30$



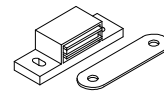
C x19
Spec: $\phi 15 \times H12$



D x8
Spec: $\phi 7 \times L48$



E x8
Spec: $\phi 15 \times H15$



F x4
Spec:



H x4
Spec: $\phi 5 \times L19$



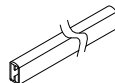
I x4
Spec: $\phi 20 \times H12$



J x2
Spec: $L63 \times W20$



K x2
Spec: $\phi 5 \times L30$



L x1
Spec: $L1137$



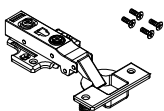
M x27
Spec:



O x8
Spec: $\phi 3.5 \times L16$



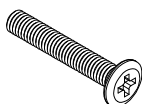
P x8
Spec: $\phi 3.5 \times L11$



Q x10
Spec:



R x26
Spec: $\phi 8 \times \phi 14$



S x10
Spec: $M6 \times 50$



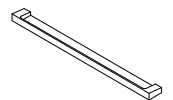
T x16
Spec: $M6 \times 15$



U x8
Spec: $\phi 15 \times 3$



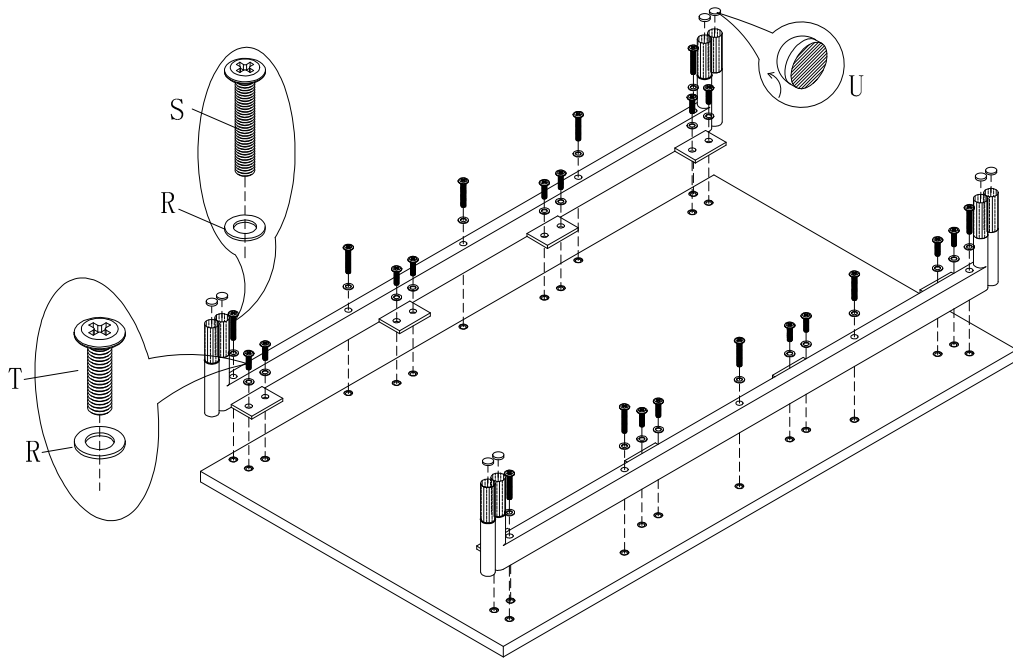
V x20
Spec: $\phi 3.8 \times L16$



W x2
Spec: 169×15

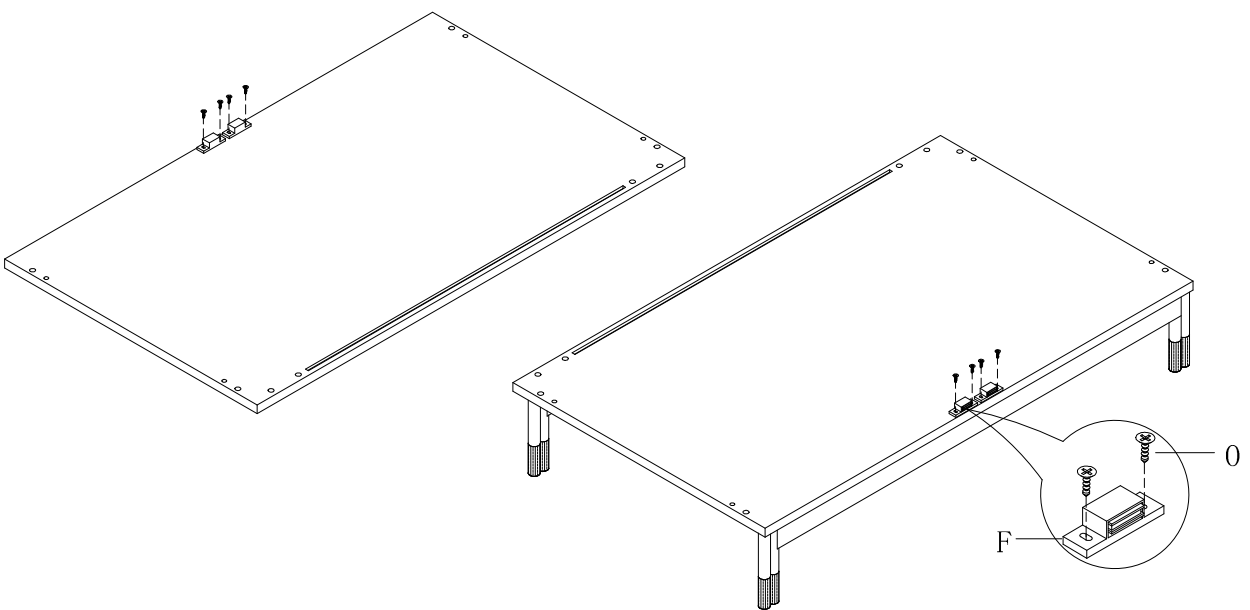


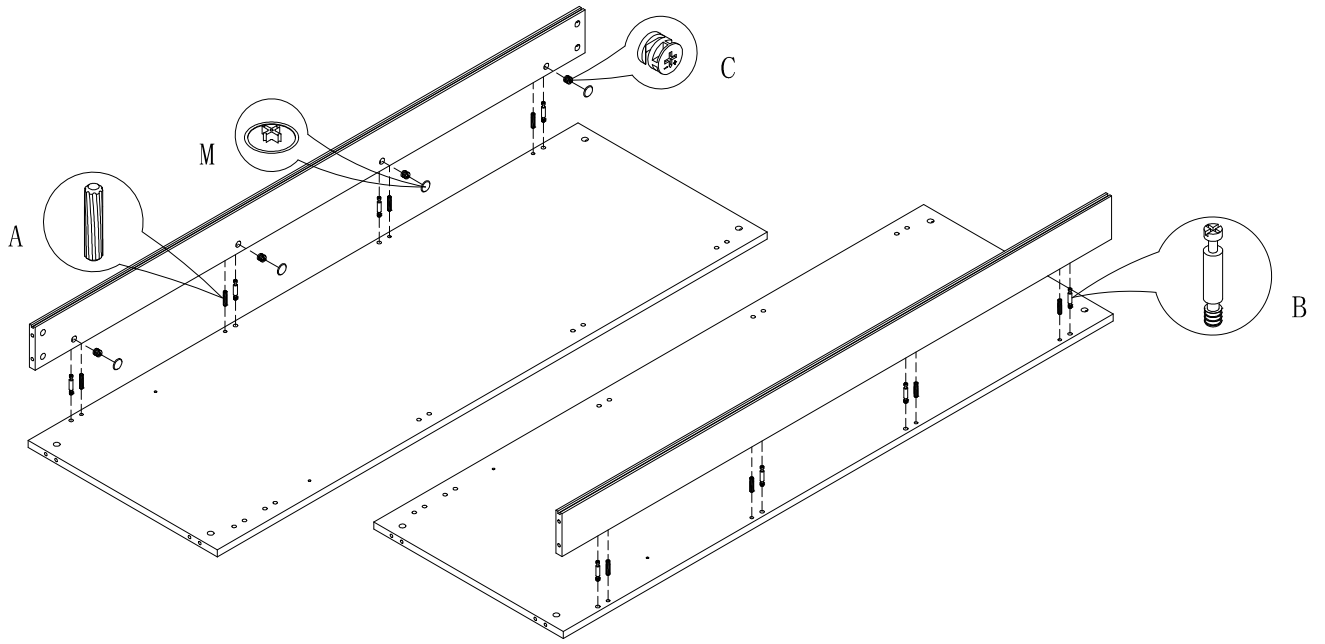
X x4
Spec: $M4 \times L21$



1

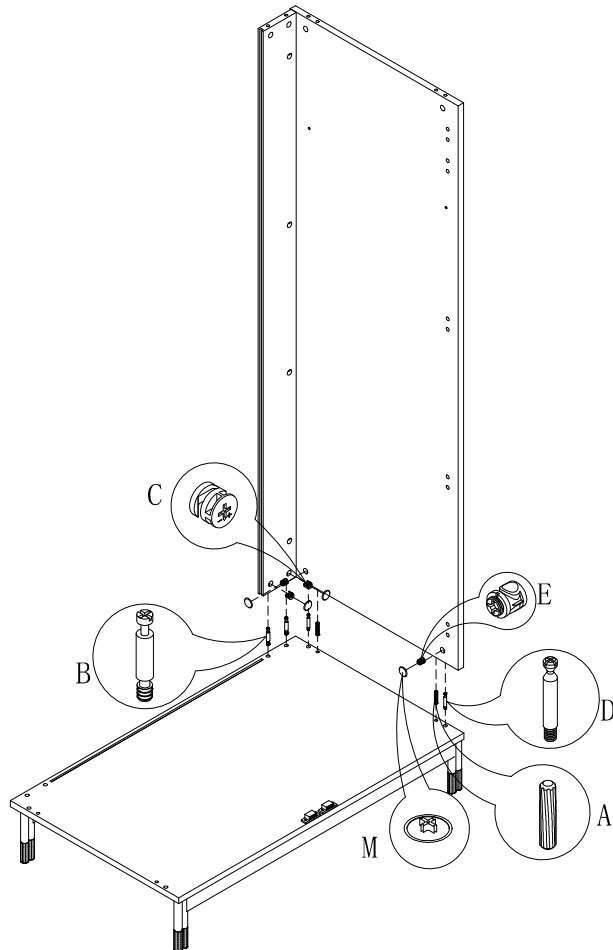
2



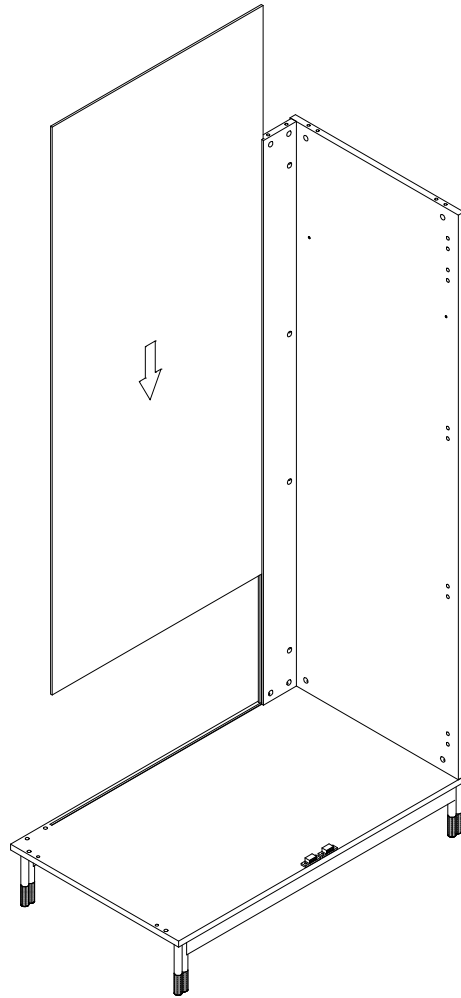


3

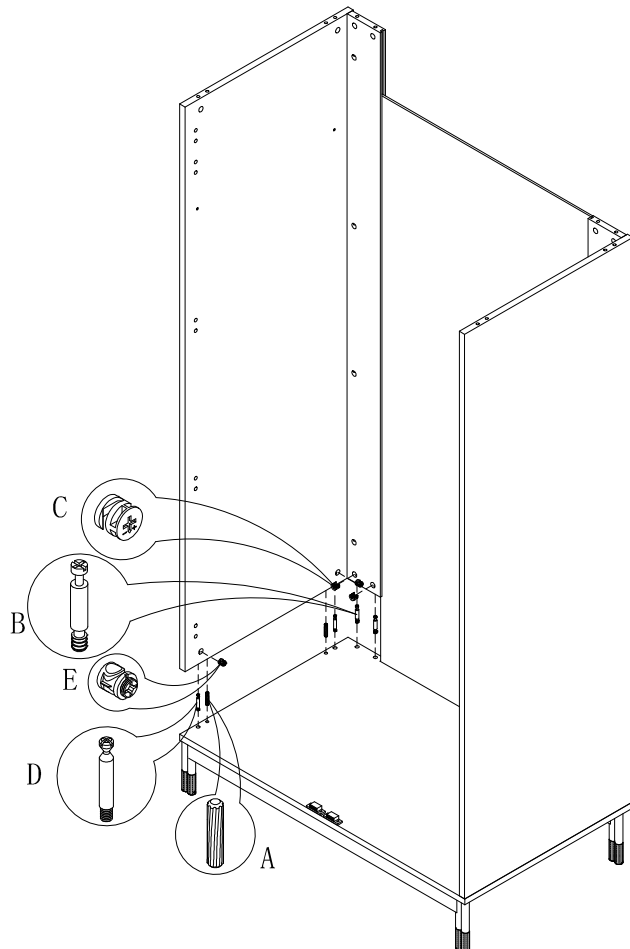
4

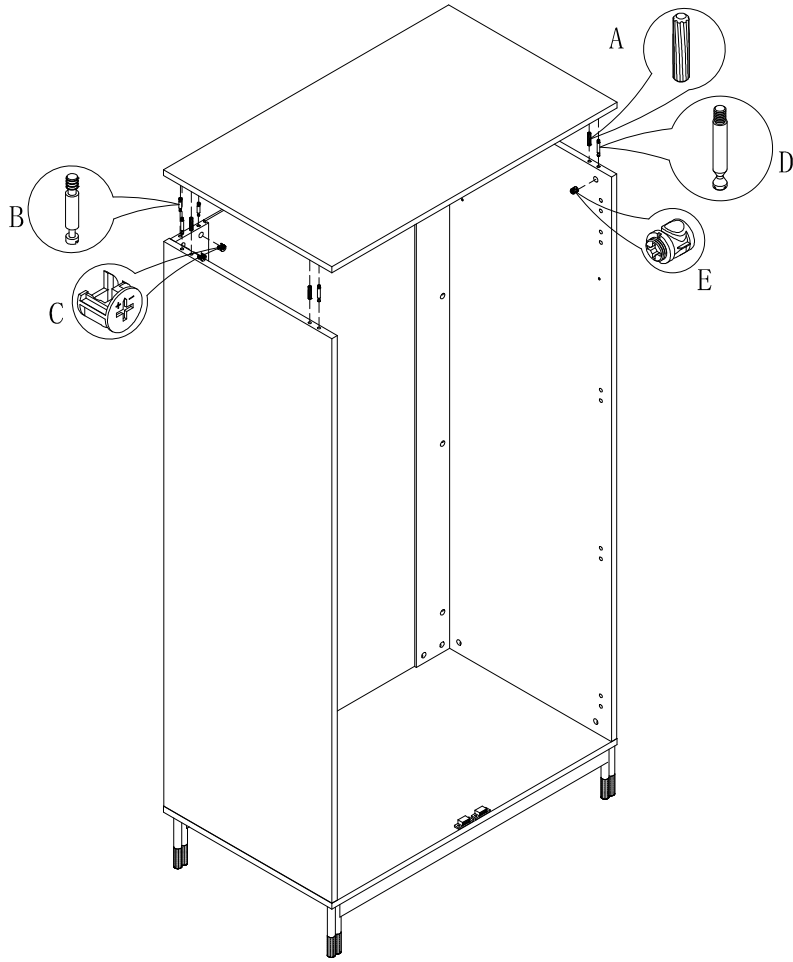


5



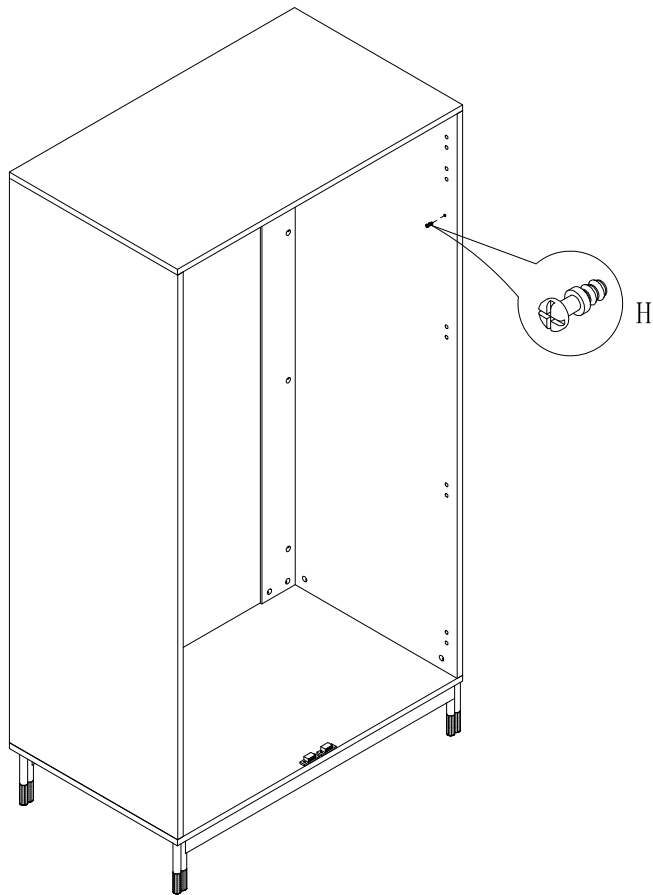
6

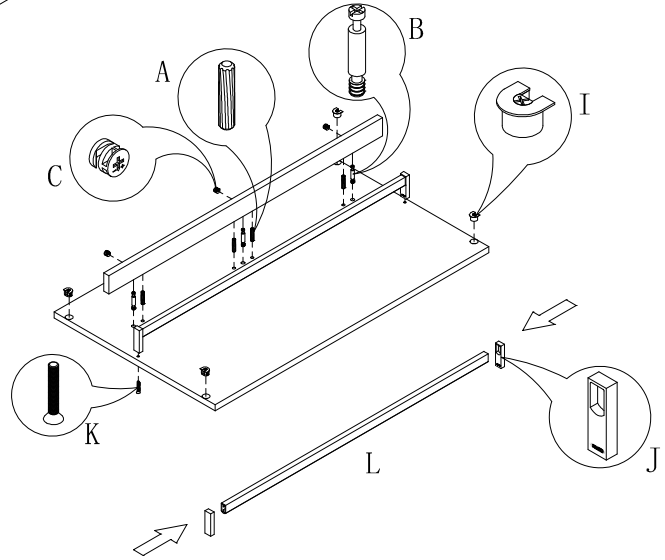
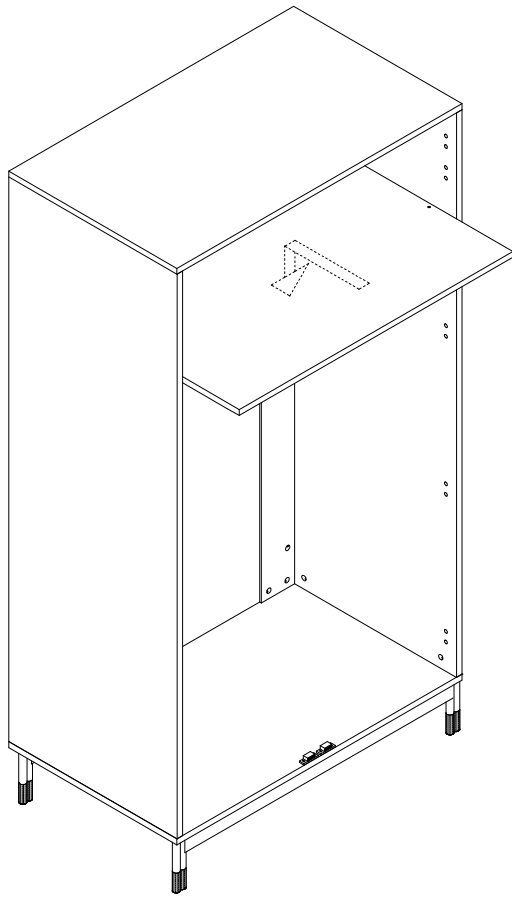




7

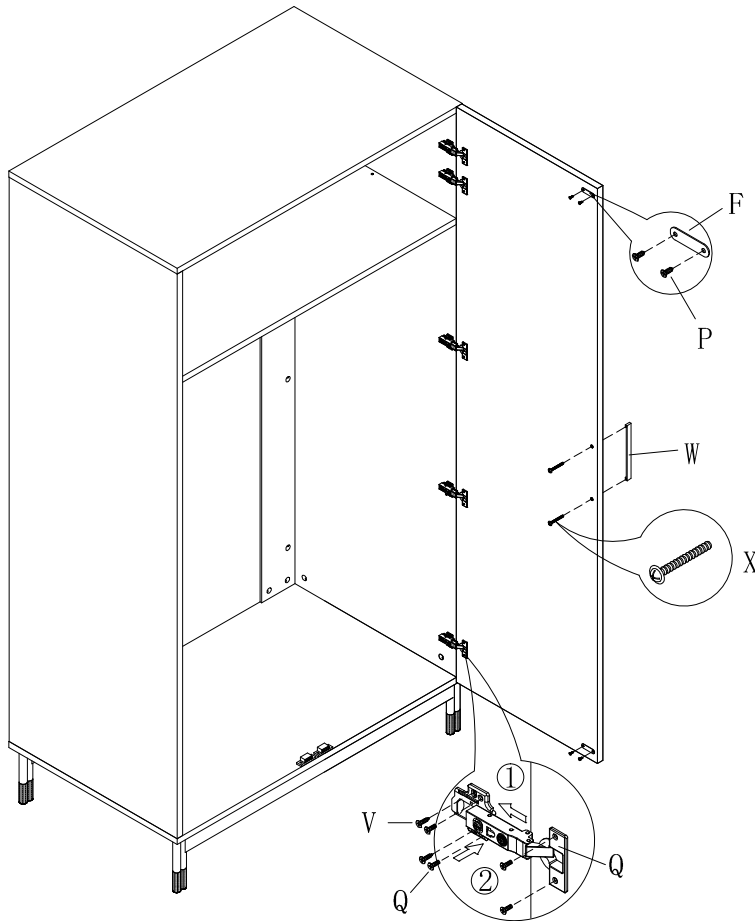
8

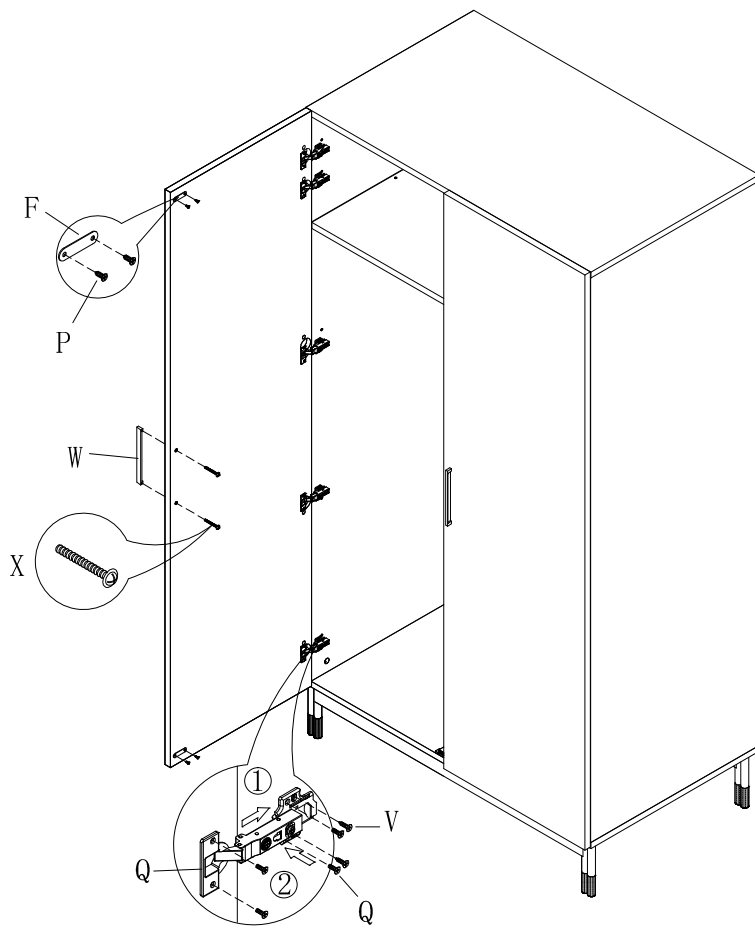




9

10





11

12

