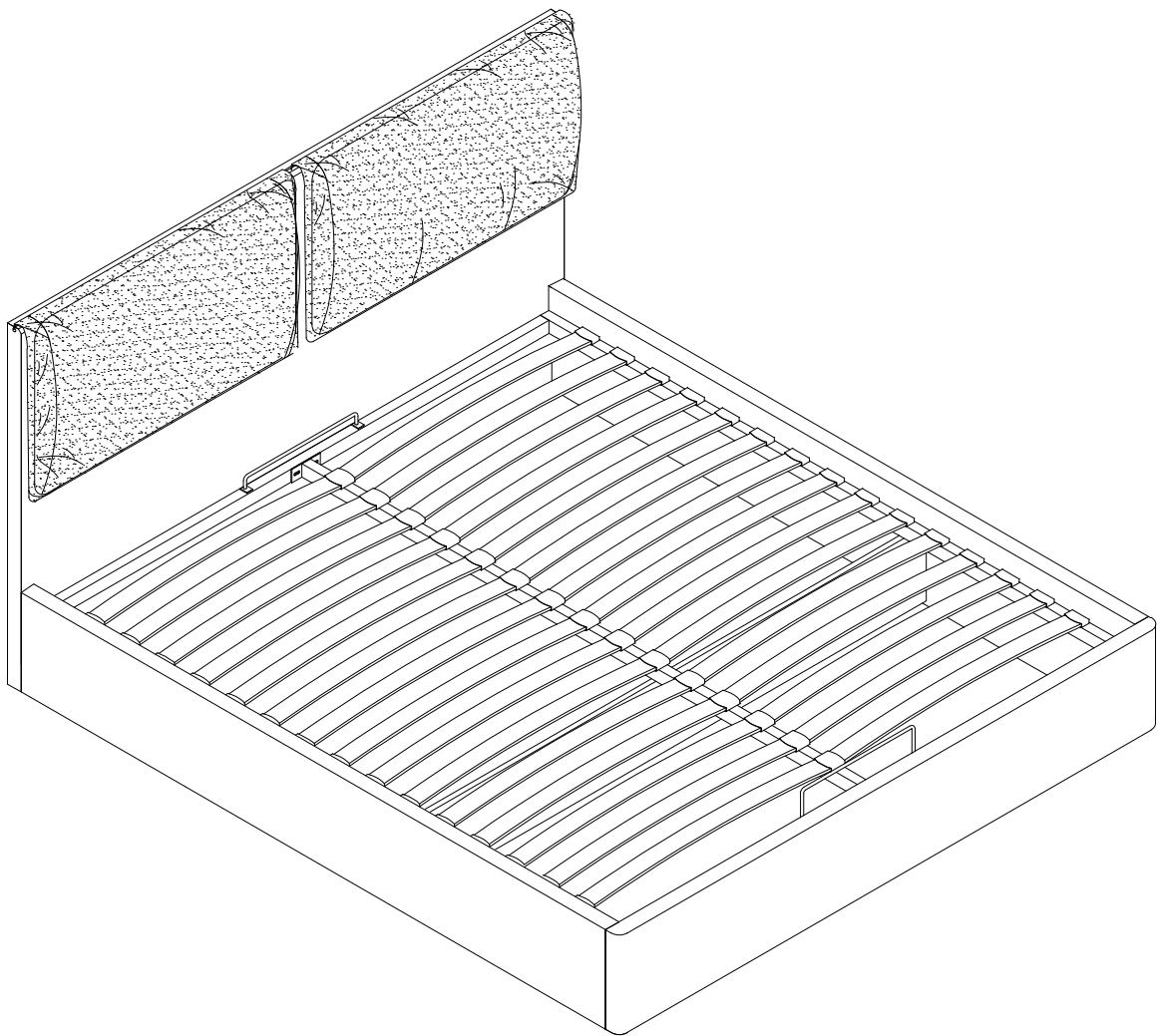
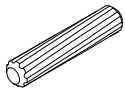
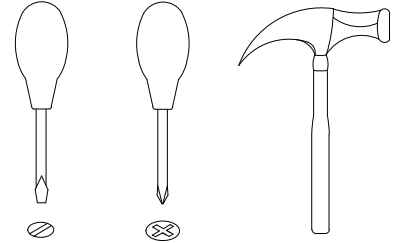
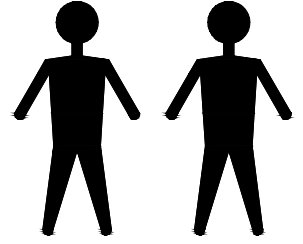


# CPM6035-05

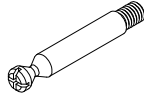


**EAC**

# # CPM6035-05



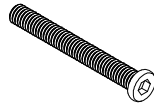
A x8  
Spec:  $\phi 10 * L40$



B x8  
Spec:  $\phi 7 * L48$



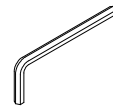
C x8  
Spec:  $\phi 15 * H15$



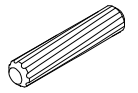
D x4  
Spec:  $5/16 * L75$



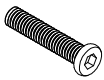
E x4  
Spec:  $5/16 * H18$



F x1  
Spec: 5#



G x4  
Spec:  $\phi 8 * L30$



H x8  
Spec:  $M8 * L45$



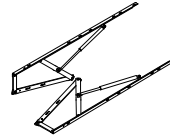
I x8  
Spec:  $M6 * L30$



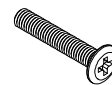
J x8  
Spec:  $\phi 8 * \phi 14$



K x12  
Spec:  $\phi 8 * \phi 18$



L x1  
Spec:  $L1220mm$   
(120KG)



M x6  
Spec:  $M6 * L50$



N x10  
Spec: M6



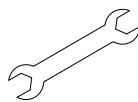
O x8  
Spec:  $M6 * L50$



P x4  
Spec: M6



Q x4  
Spec:  $\phi 6 * \phi 18$



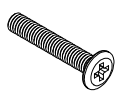
R x1  
Spec: 10mm



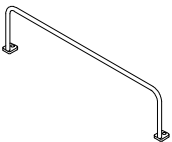
S x12  
Spec:  $38 * 38mm$



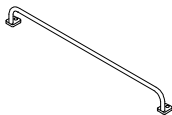
T x4  
Spec:  $30 * 15mm$



U x4  
Spec:  $M6 * L55$



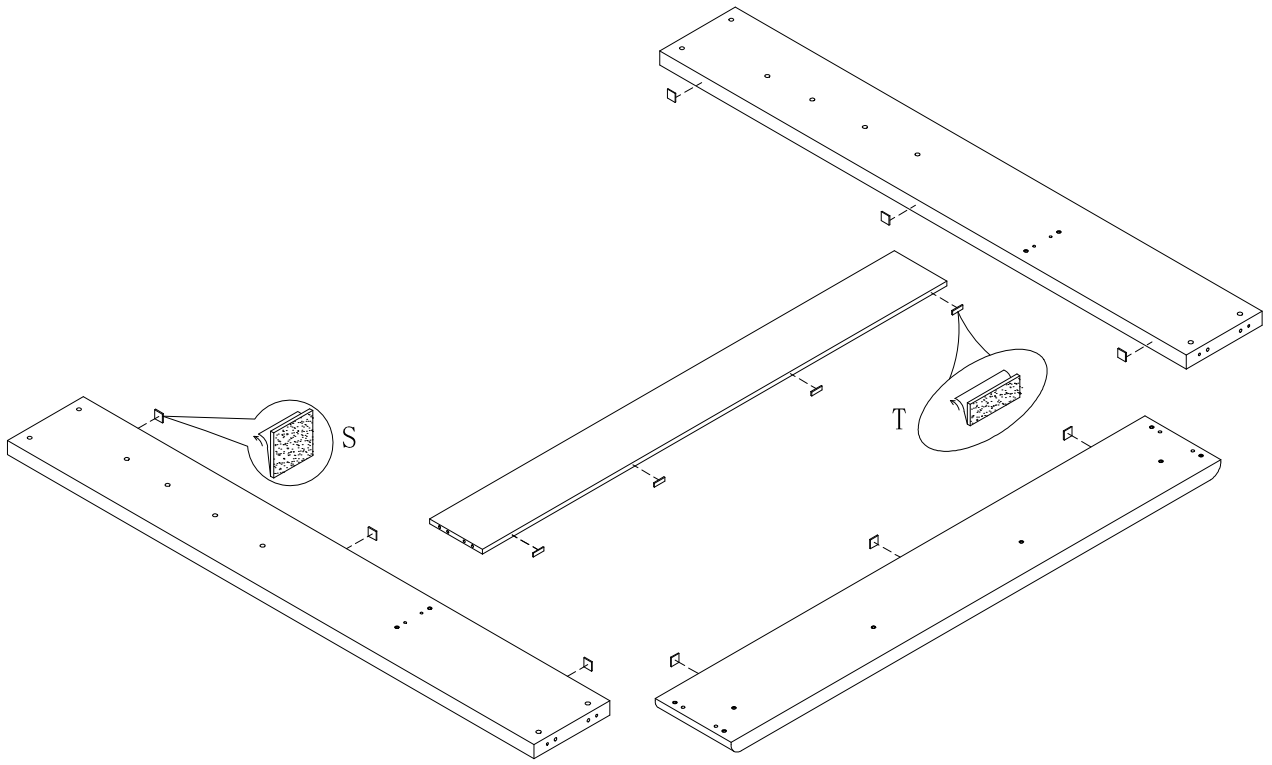
V x1  
Spec: L410mm



W x1  
Spec: L410mm

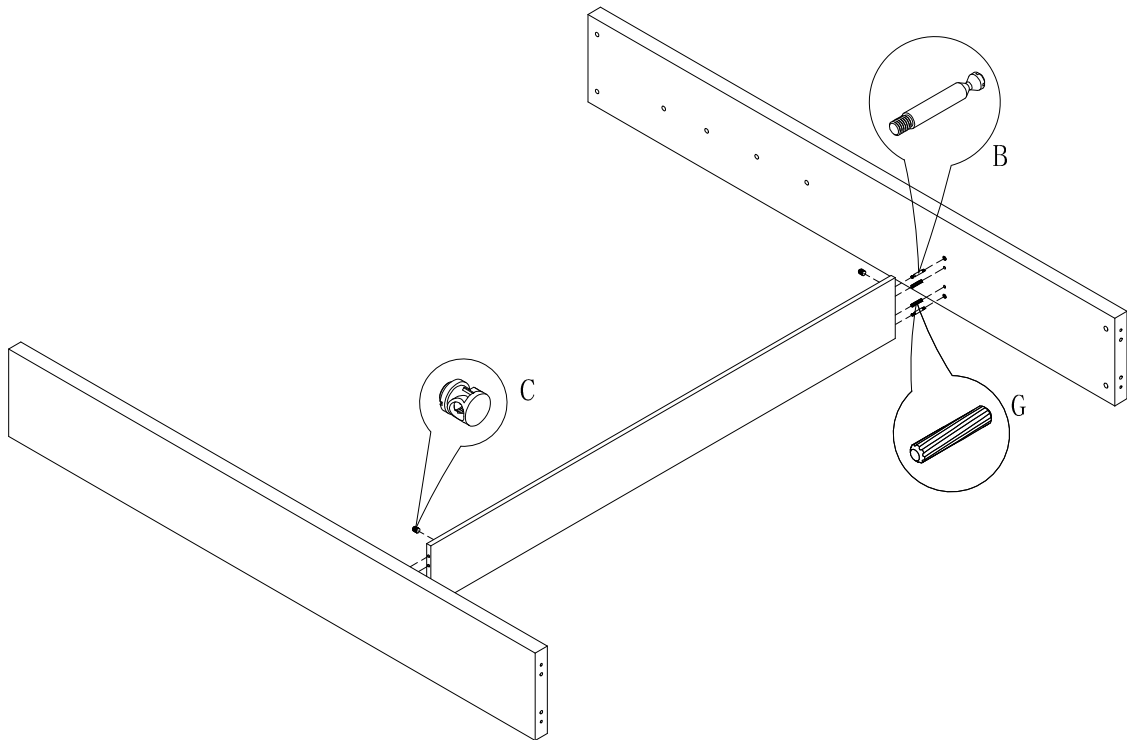


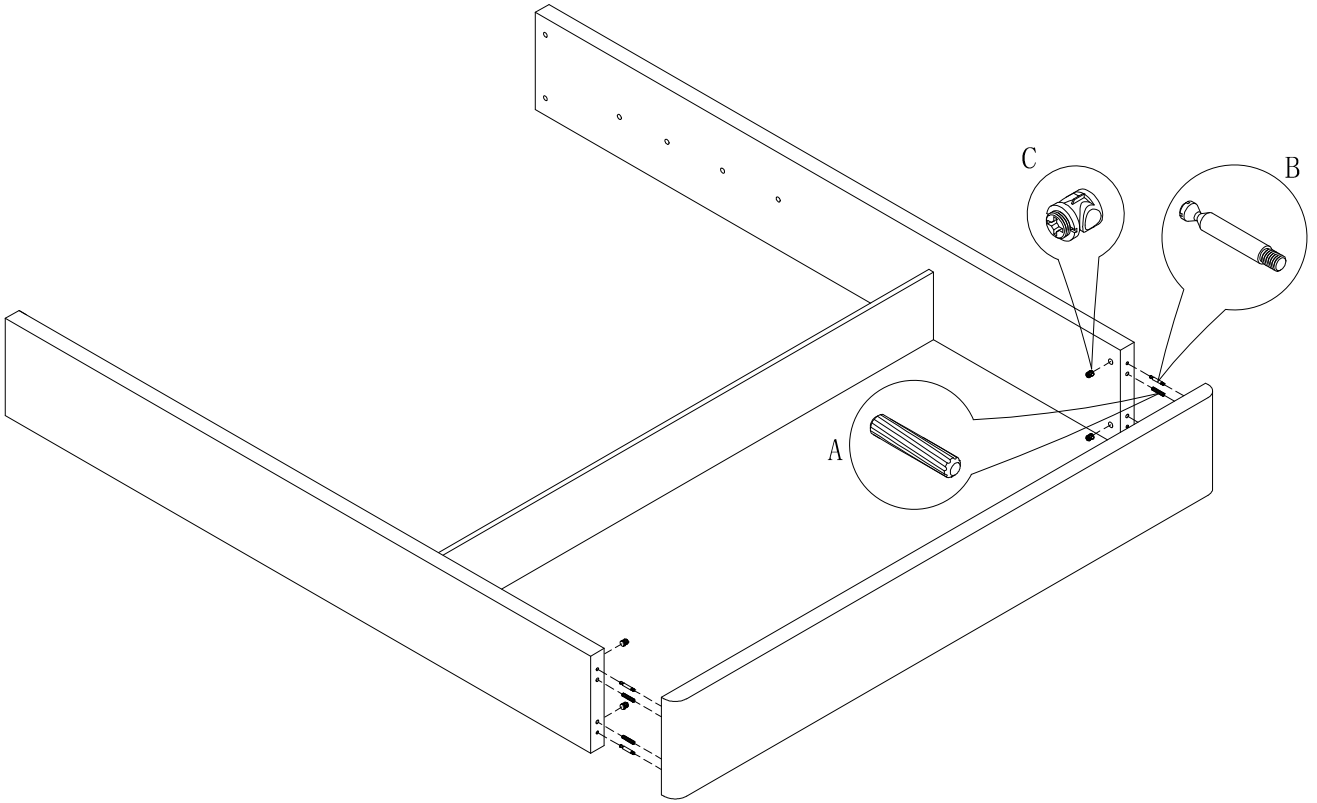
X x1  
Spec: 4#



1

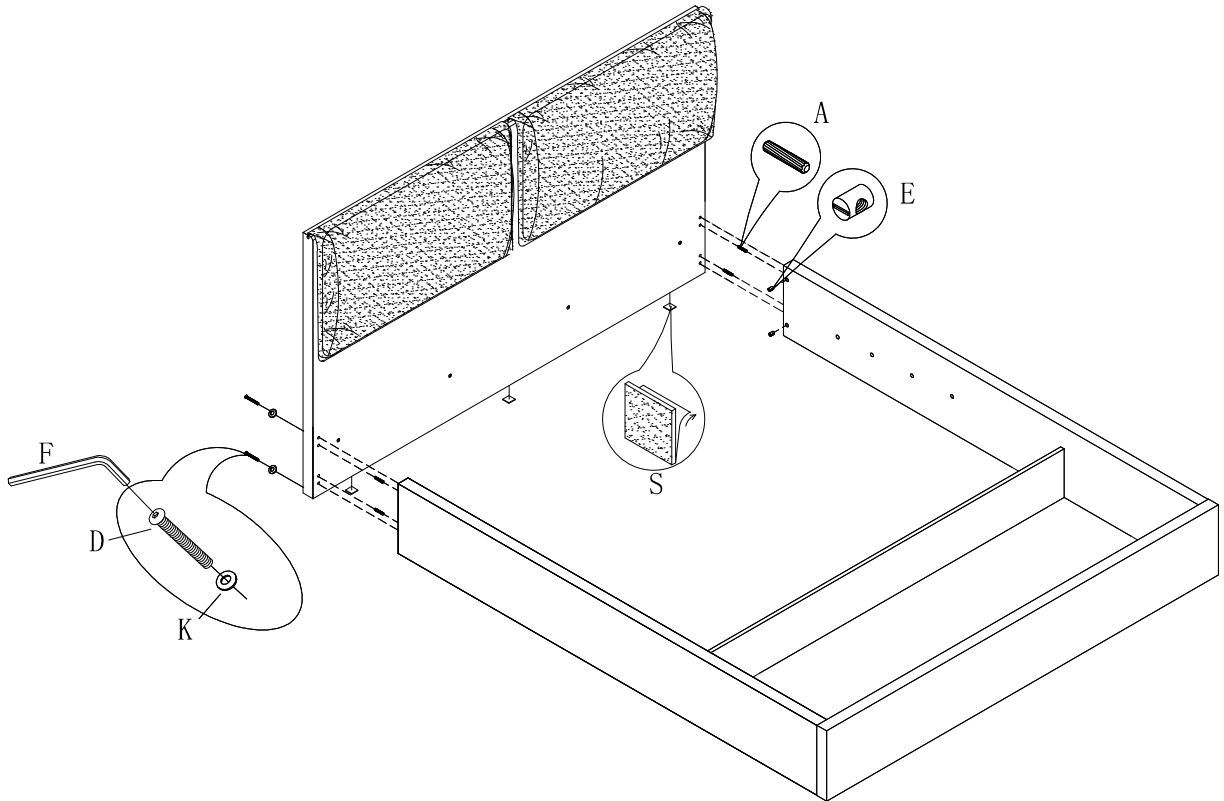
2

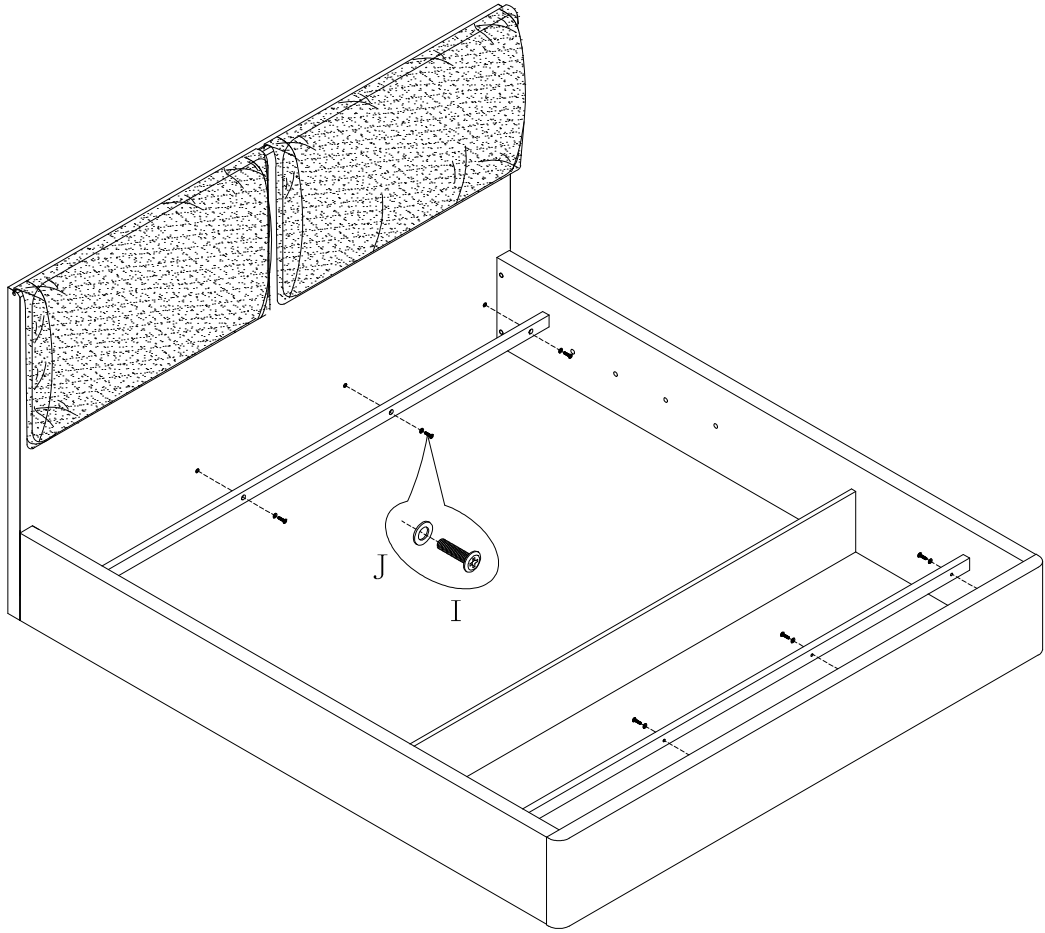




3

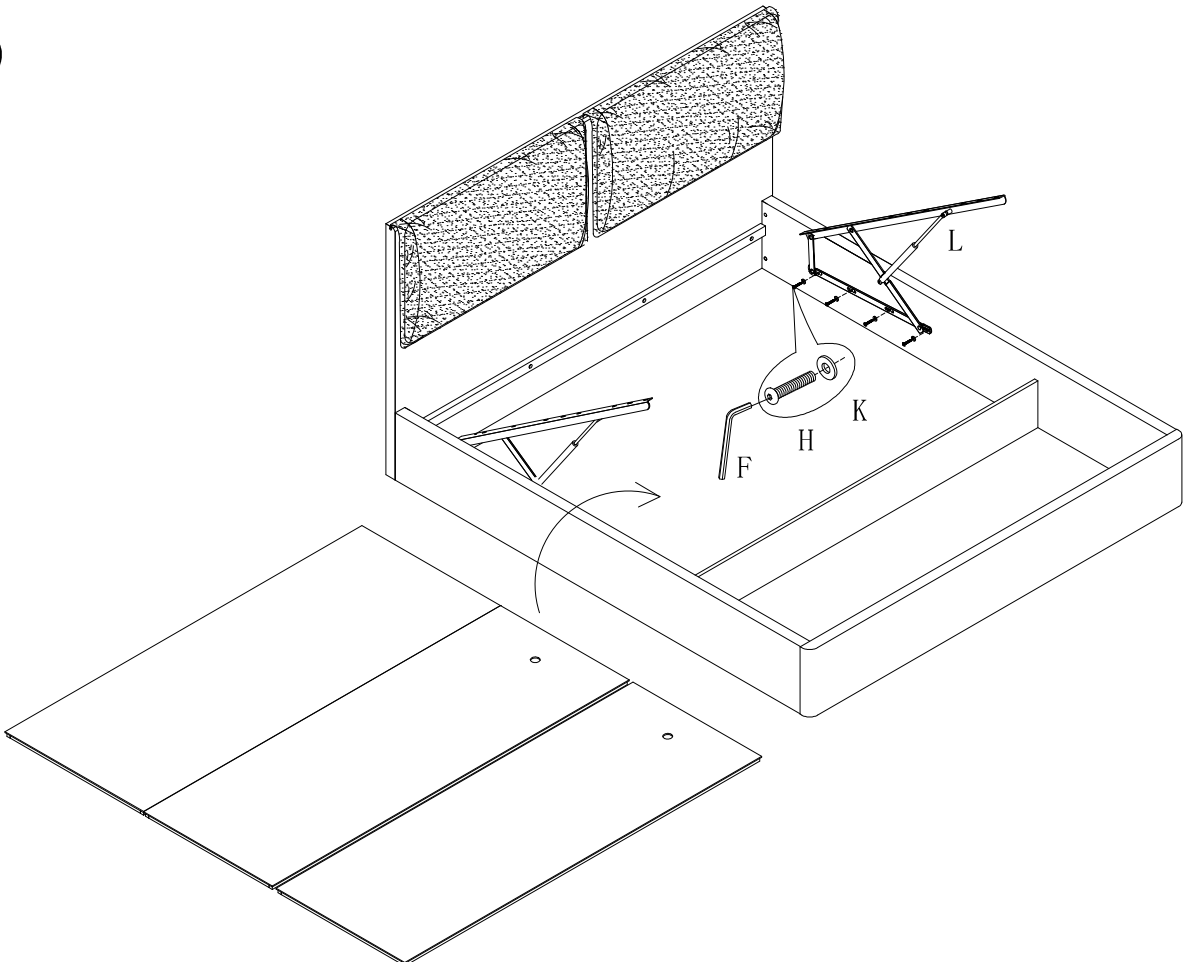
4

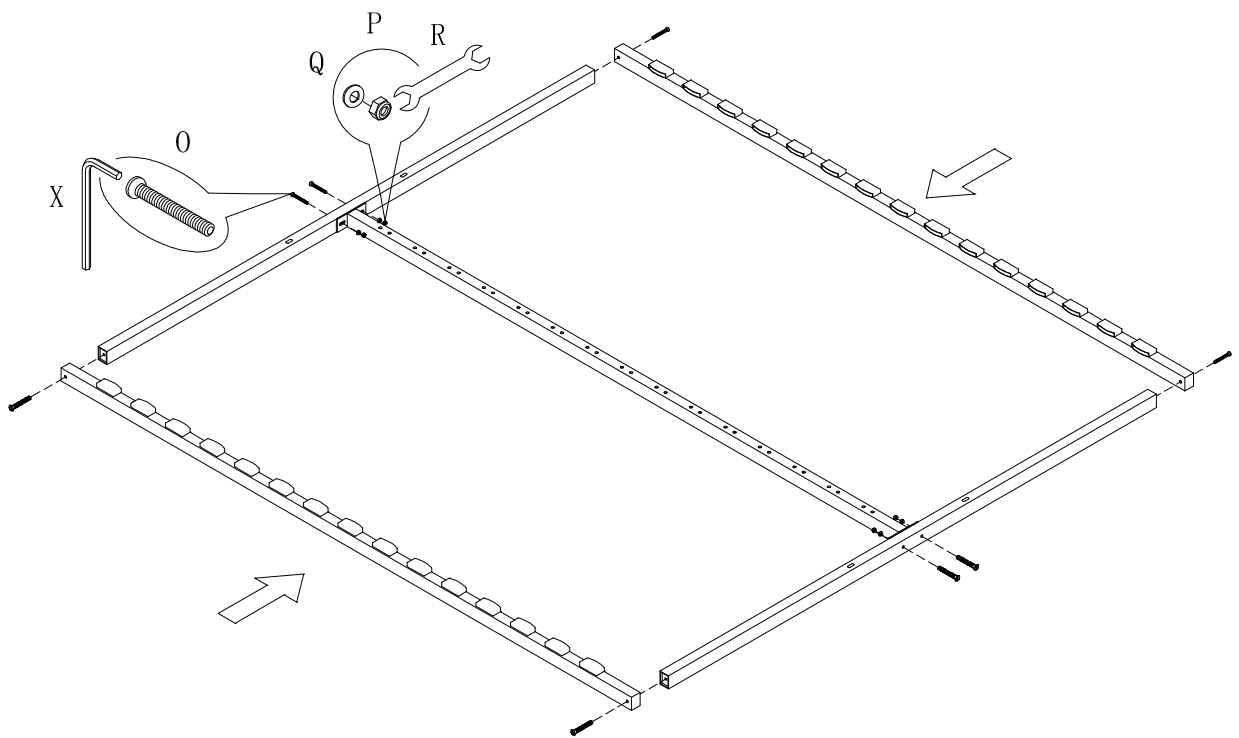




5

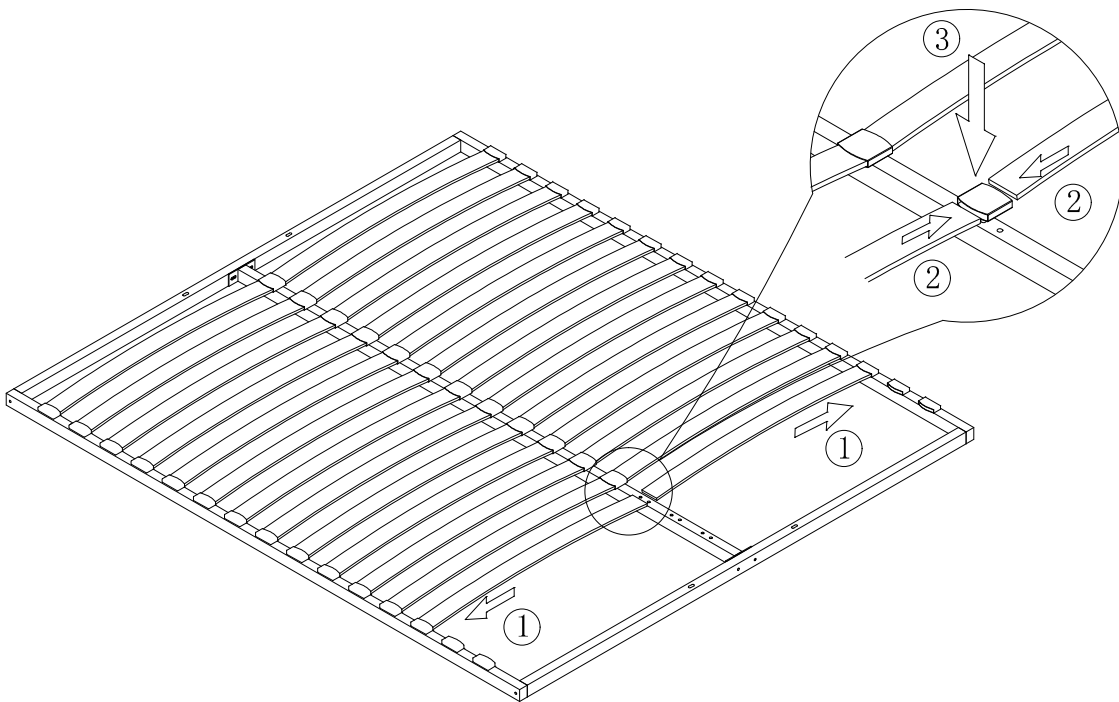
6

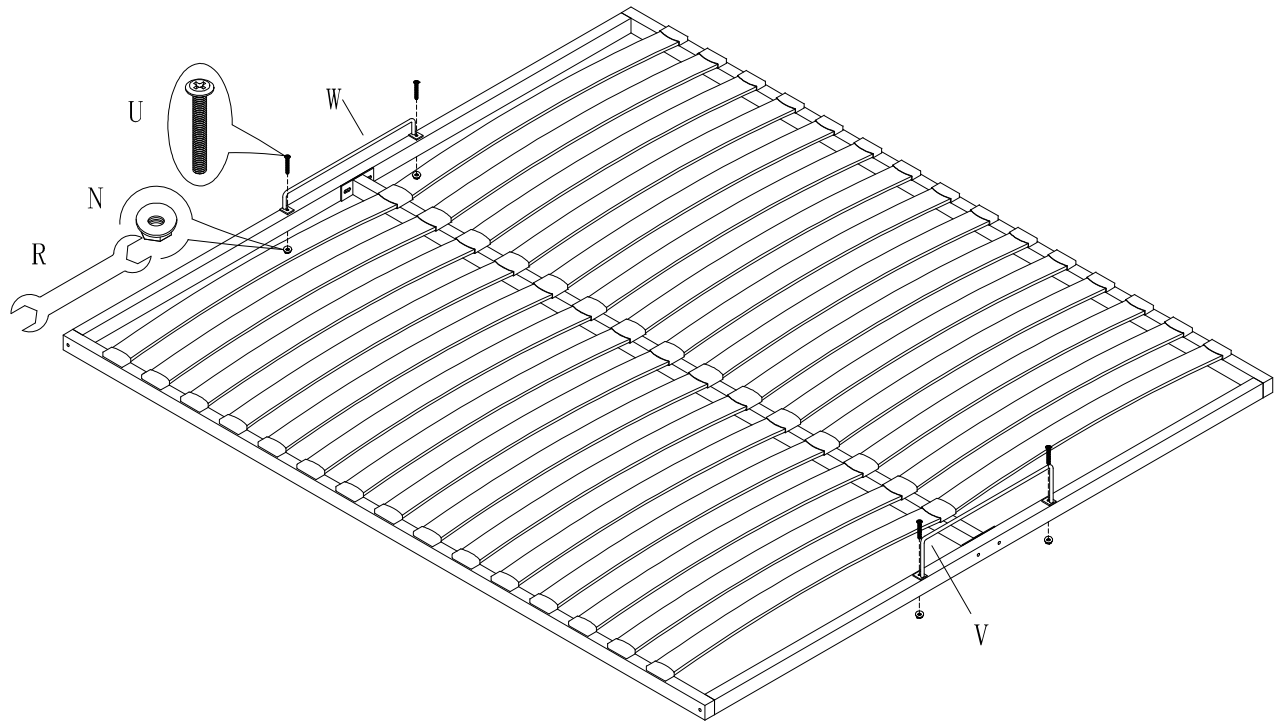




7

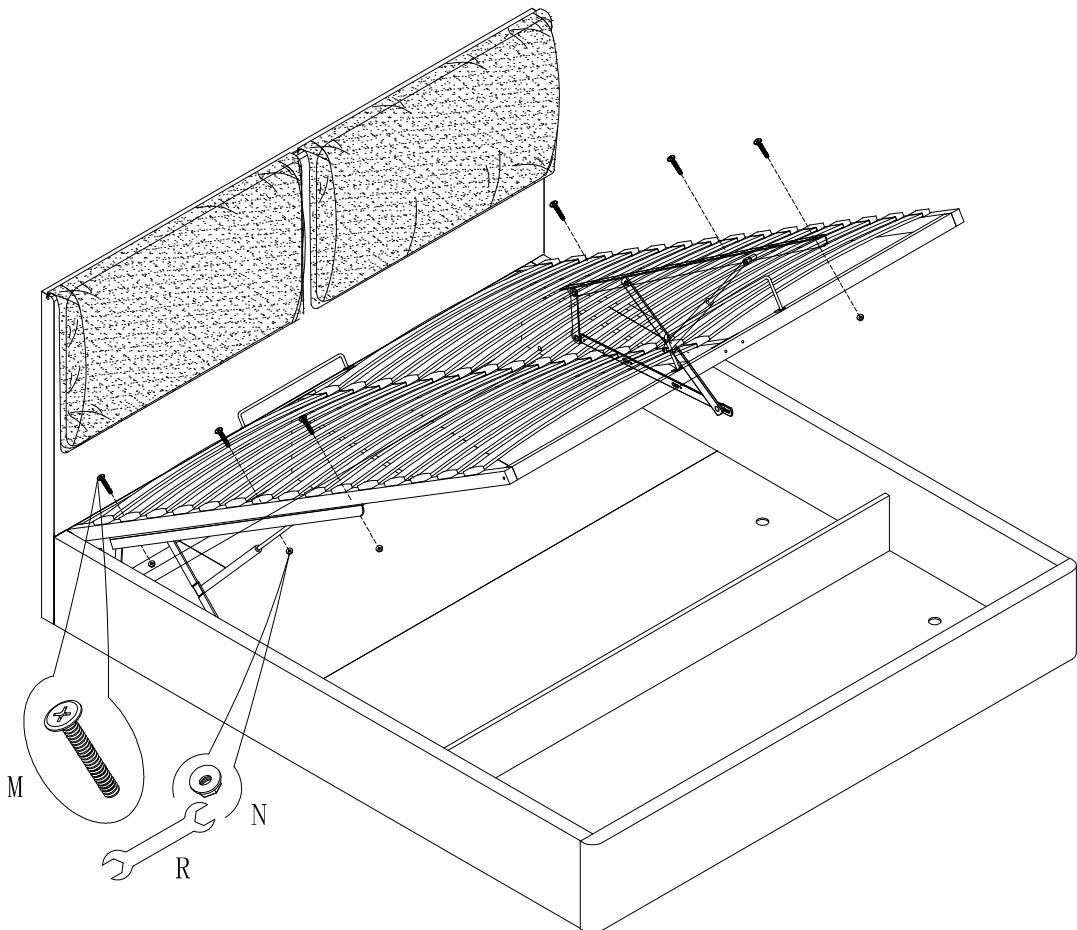
8



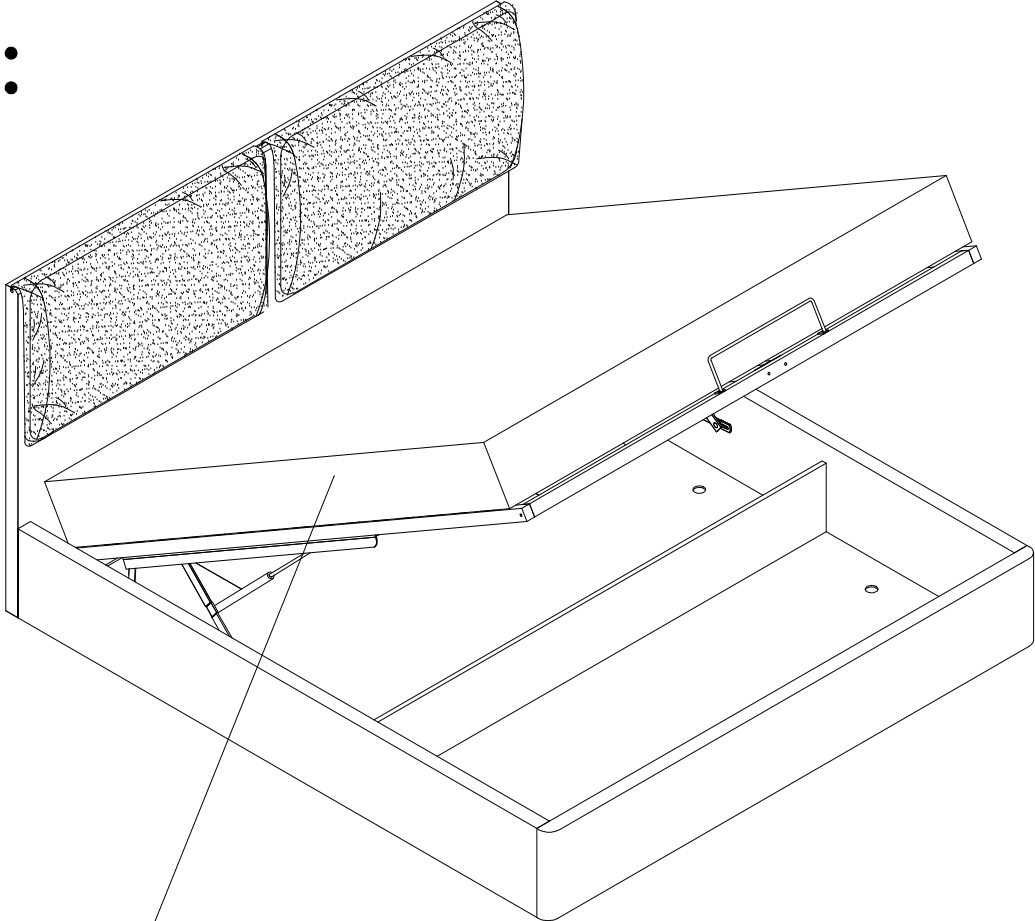


9

10



**Attention:**



**Mattress must be put on bedstead before pulling down!!**