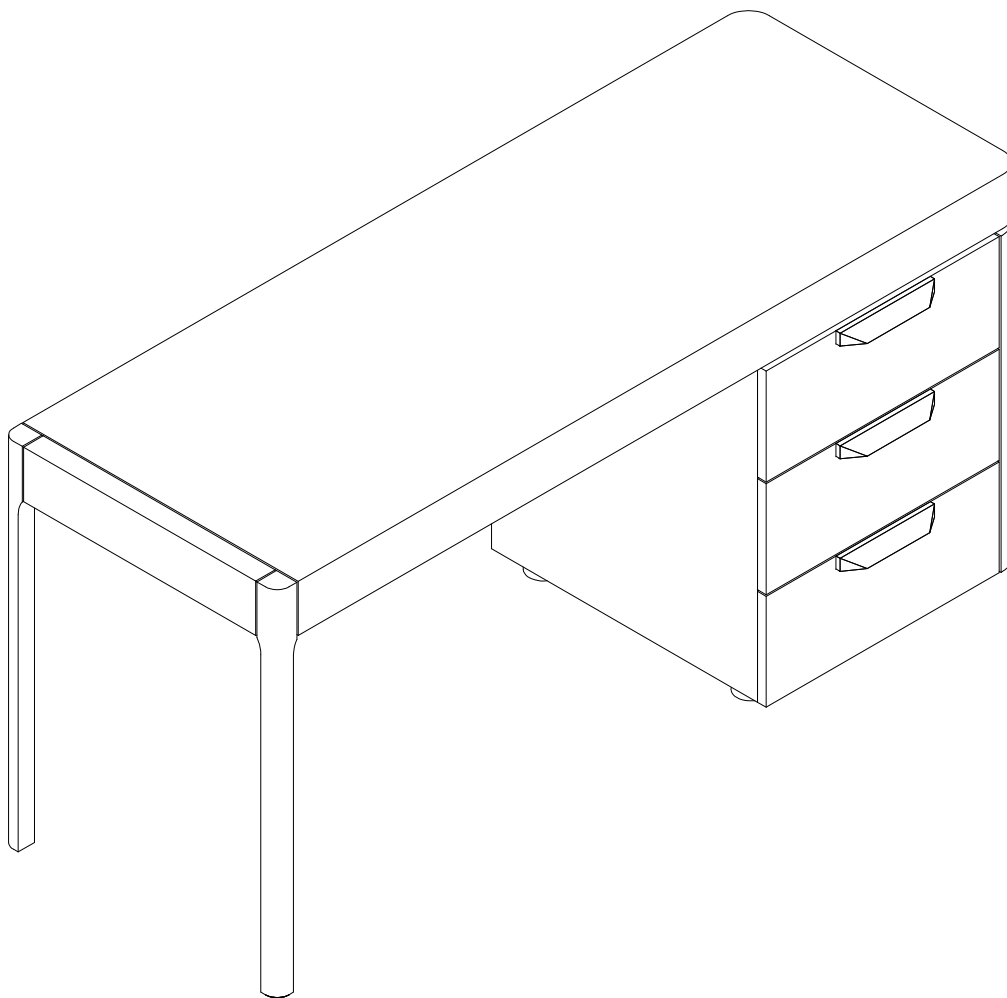
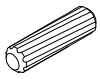
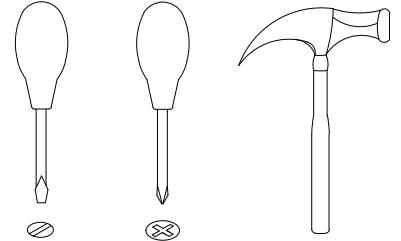
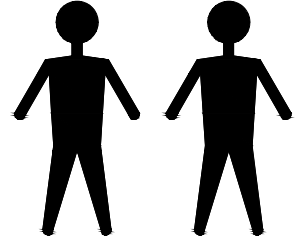


CPM6356

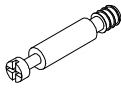


EAC

CPM6356



A x30
Spec: $\phi 8 \times 30$



B x20
Spec: $\phi 7 \times L30$



C x20
Spec: $\phi 15 \times H12$



D x12
Spec: $\phi 6 \times L28$



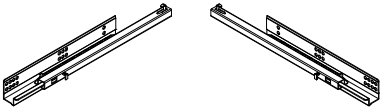
E x12
Spec: $\phi 12 \times H9$



F x12
Spec: $\phi 6 \times L30$



G x12
Spec: $\phi 3.5 \times L35$



H x3
Spec: L400



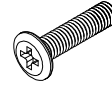
I x18
Spec: $\phi 6 \times L8$



J x4
Spec: $\phi 60 \times 25$



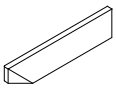
K x4
Spec: $\phi 3.8 \times L32$



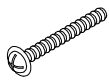
L x6
Spec: M6*40



M x11
Spec: $\phi 8 \times \phi 14$



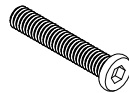
N x3
Spec:



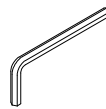
O x6
Spec: M4*L21



P x20
Spec:



Q x5
Spec: 5/16*75



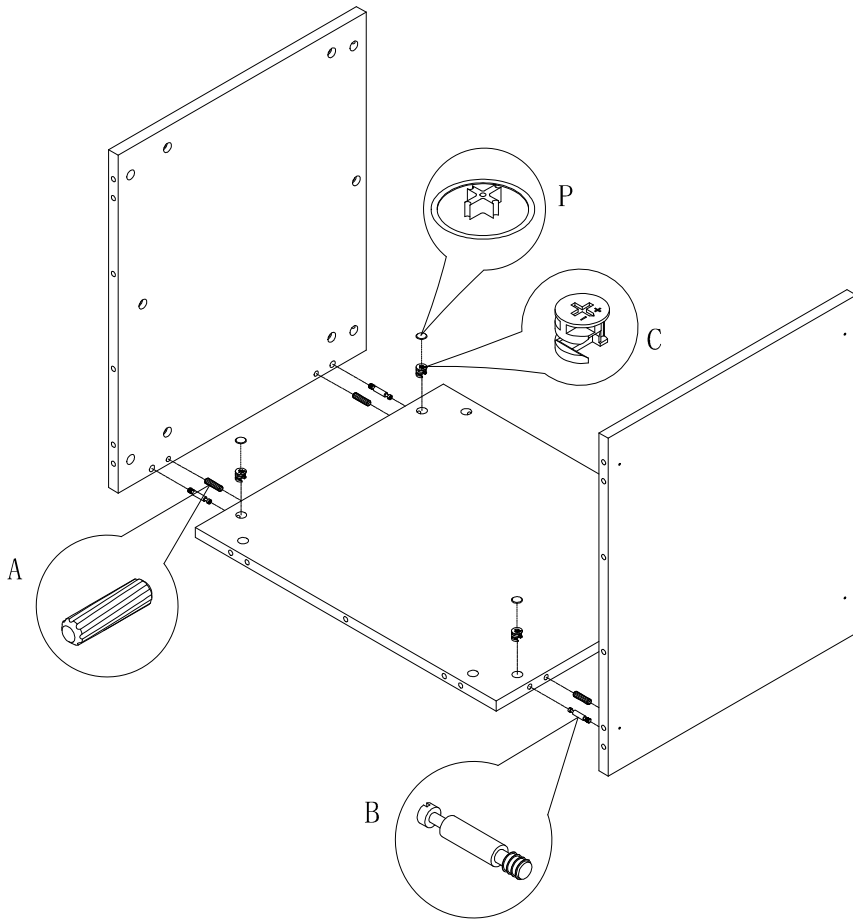
R x1
Spec: 5#



S x12
Spec:

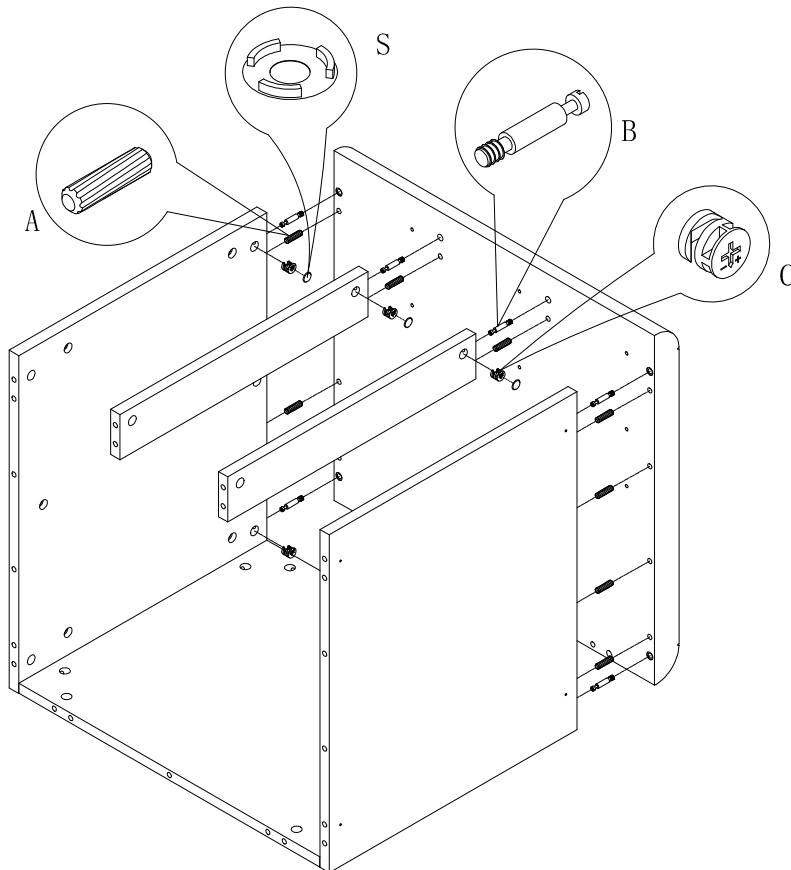


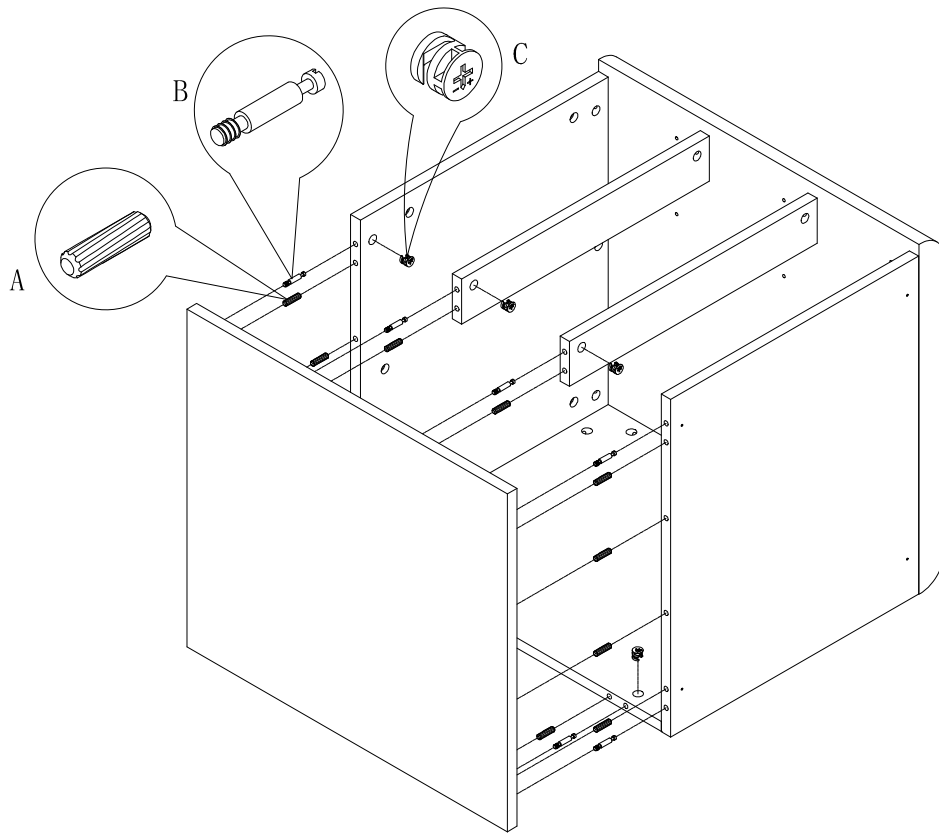
AAA x12
Spec: $\phi 3.8 \times L12$



1

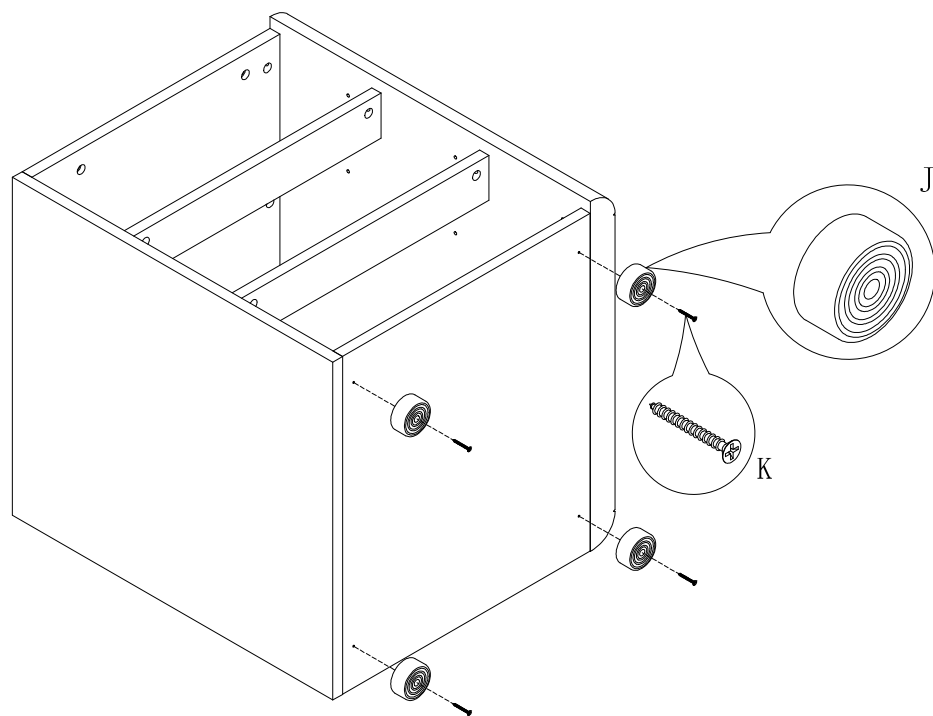
2

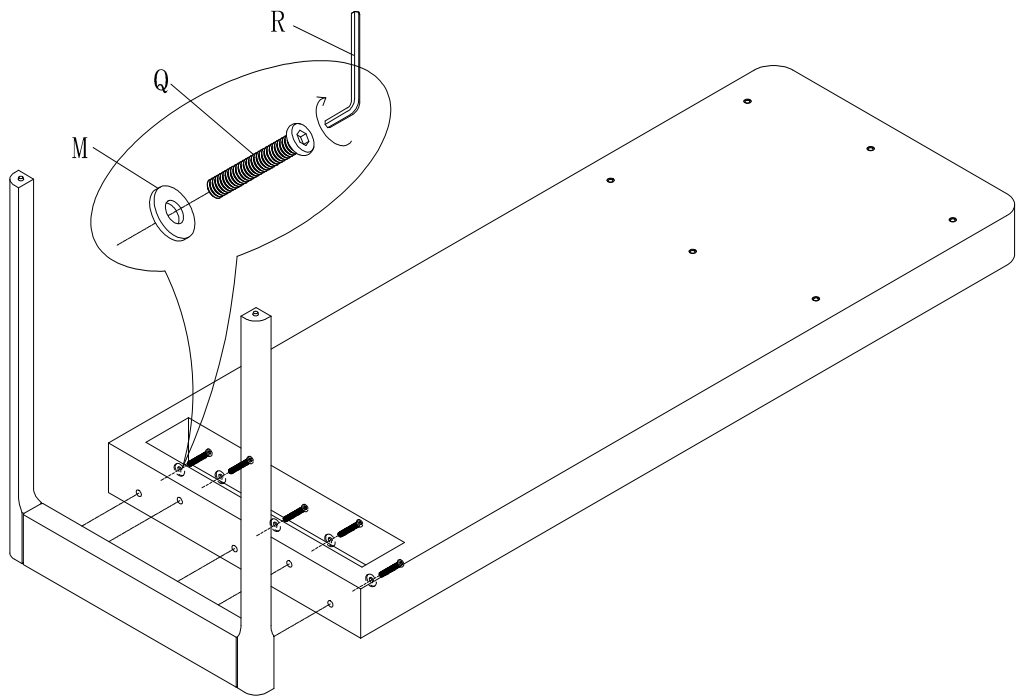




3

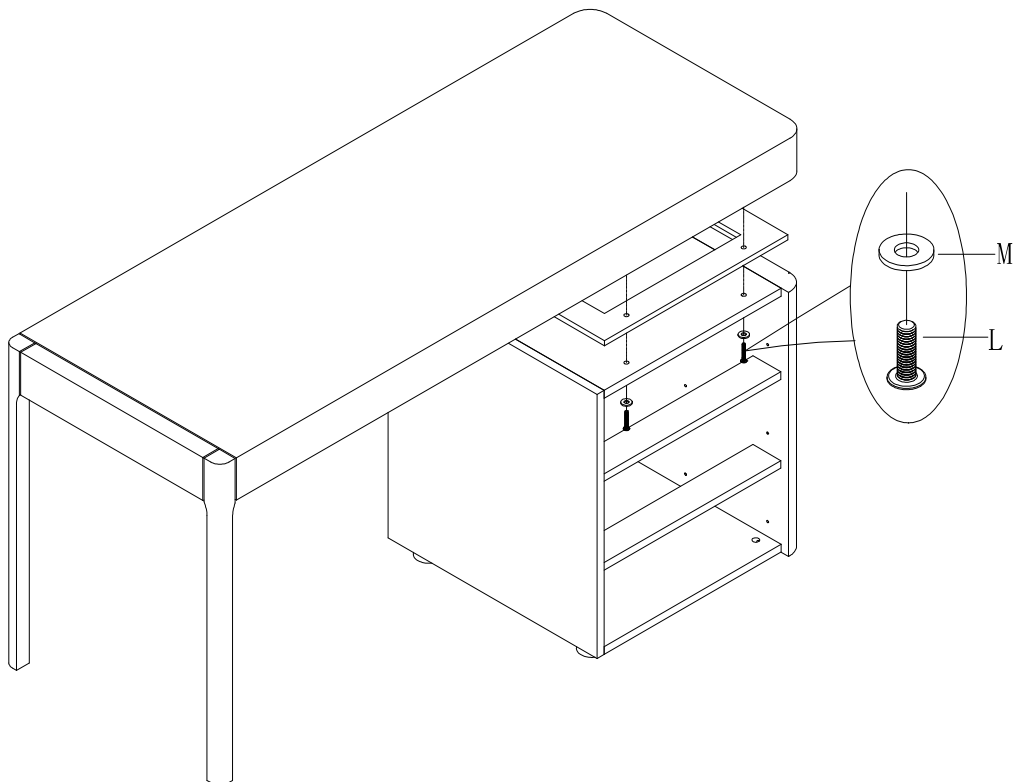
4

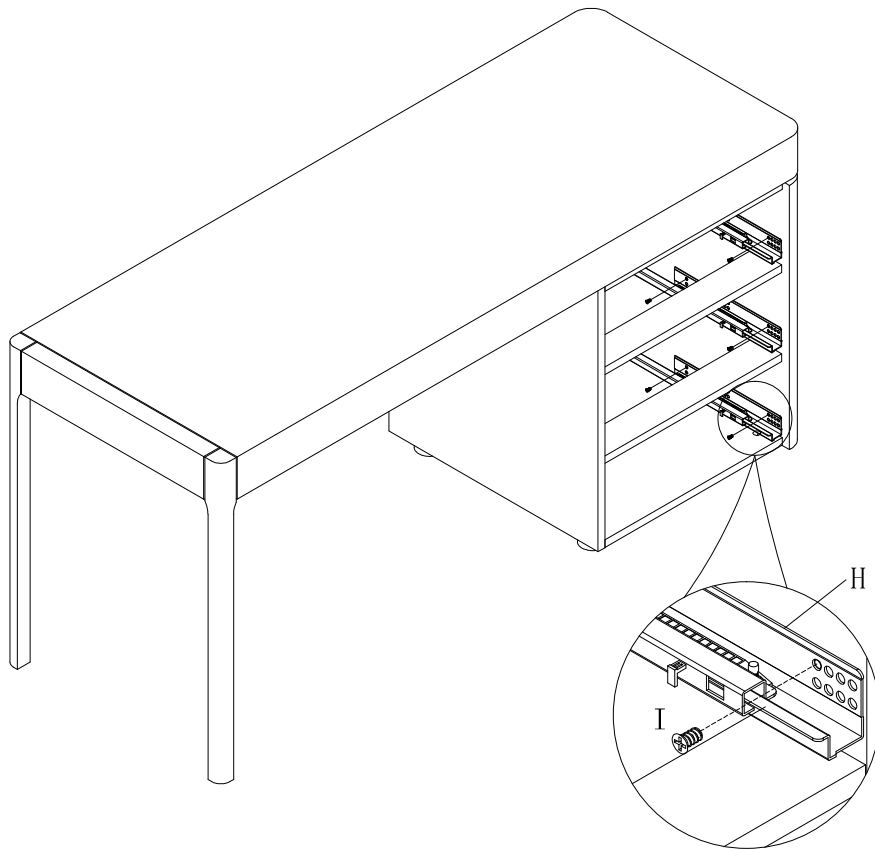




5

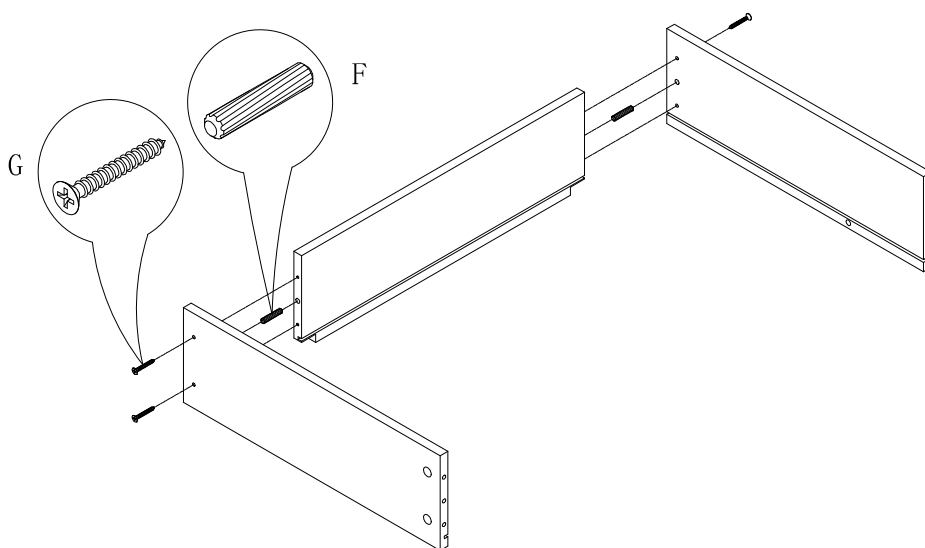
6

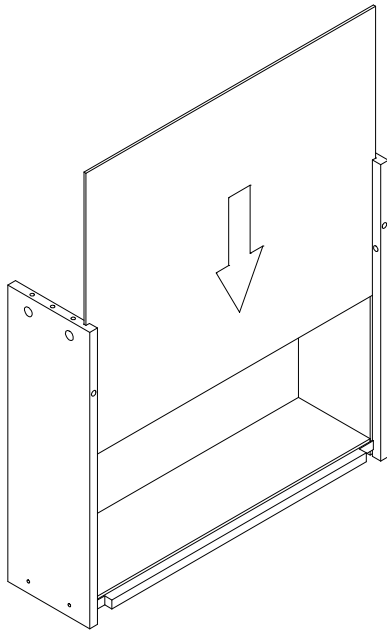




7

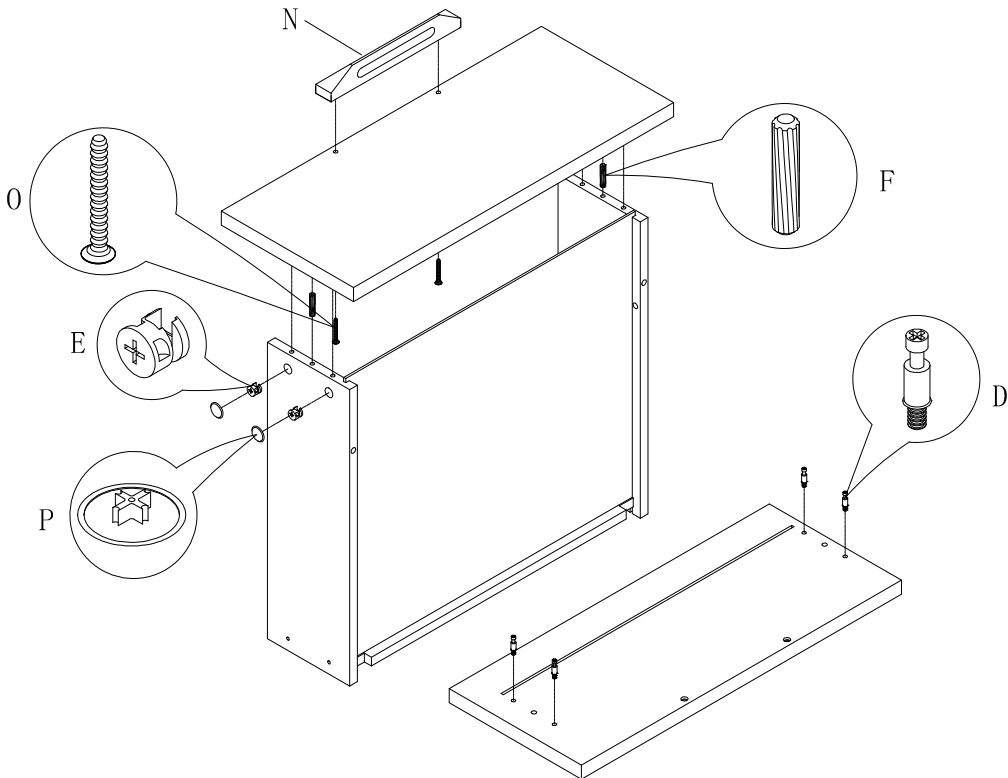
8

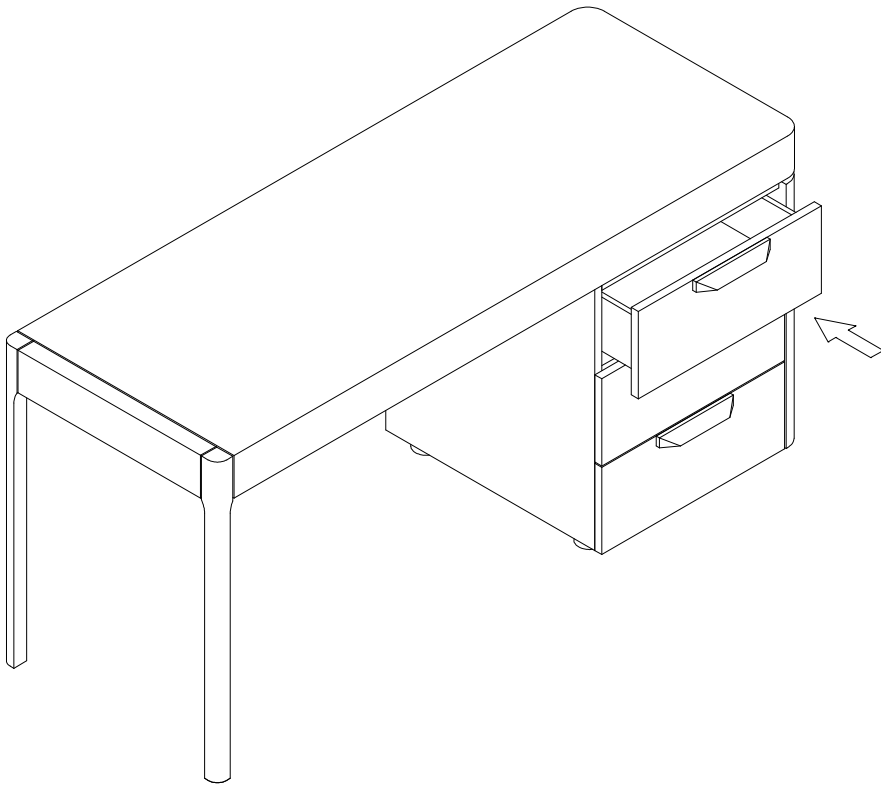




9

10





11

12

