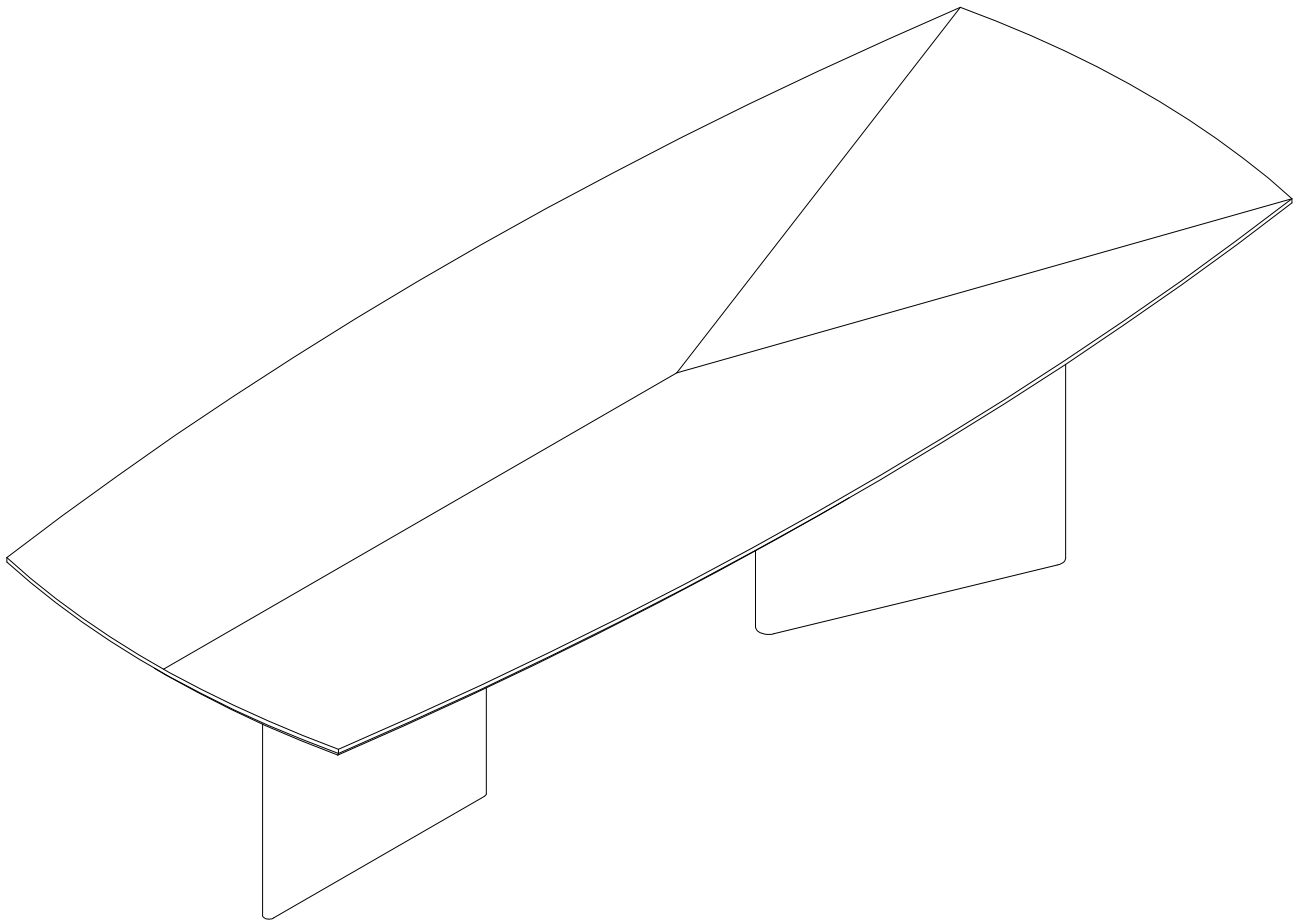


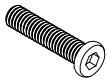
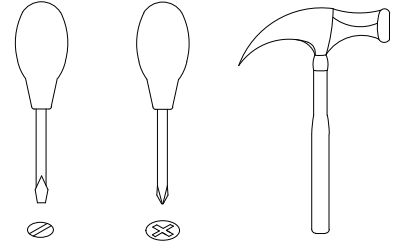
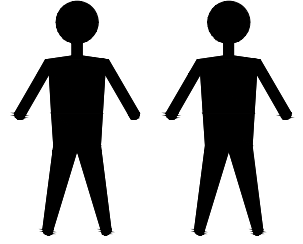


CPM6372-A



EAC

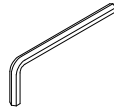
CPM6372-A



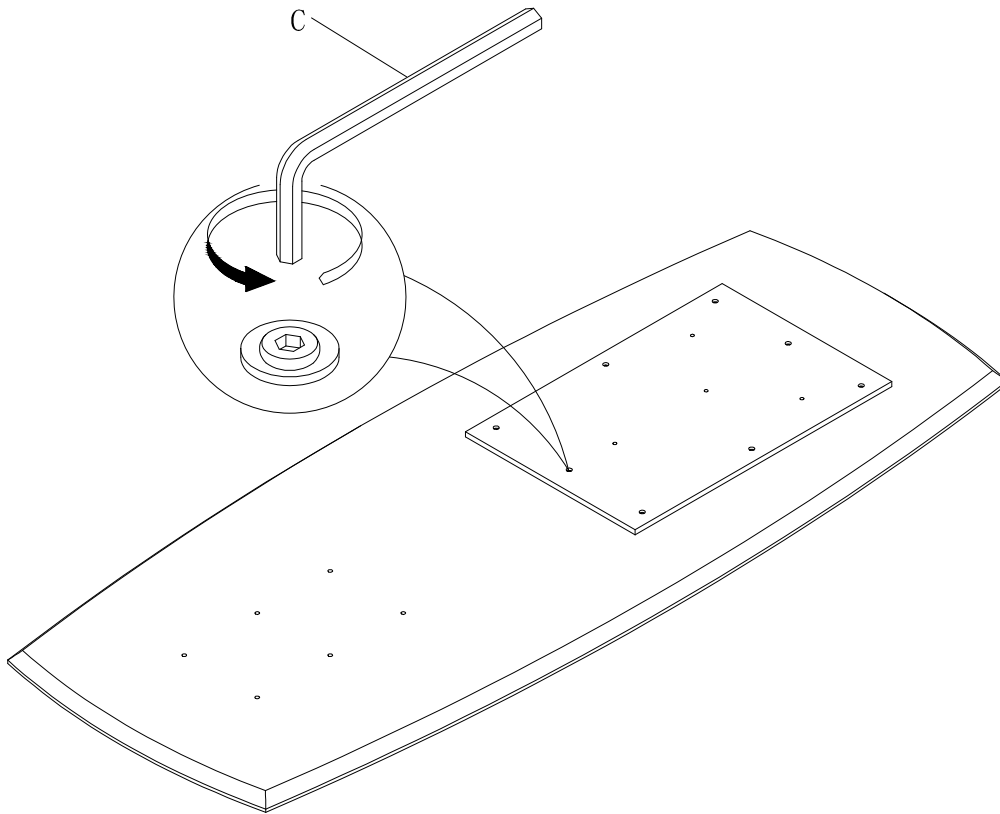
A x16
Spec: 5/16*L30



B x16
Spec: $\phi 8.2 * \phi 14$

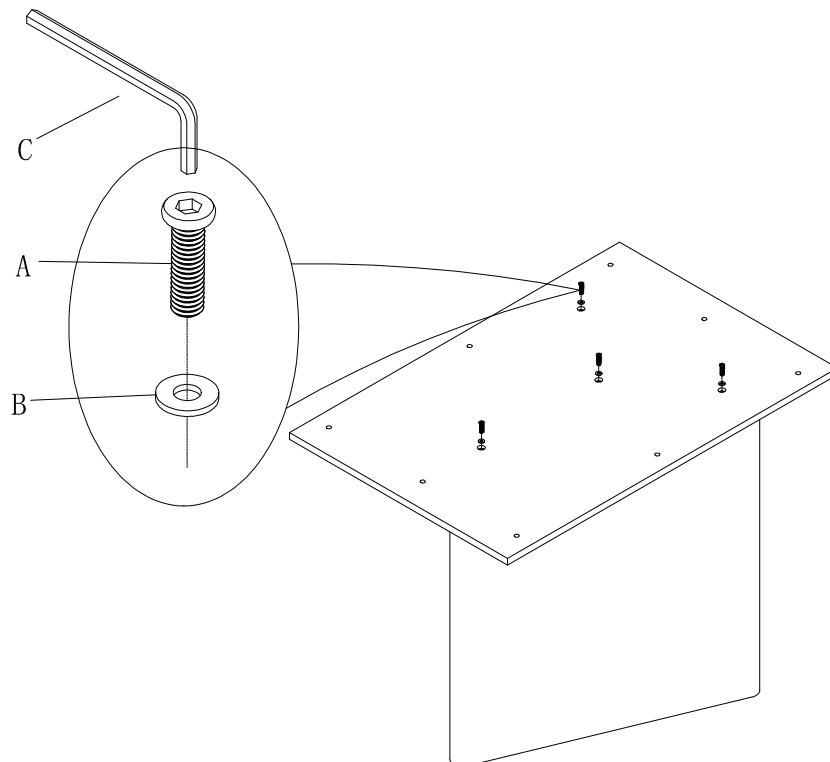


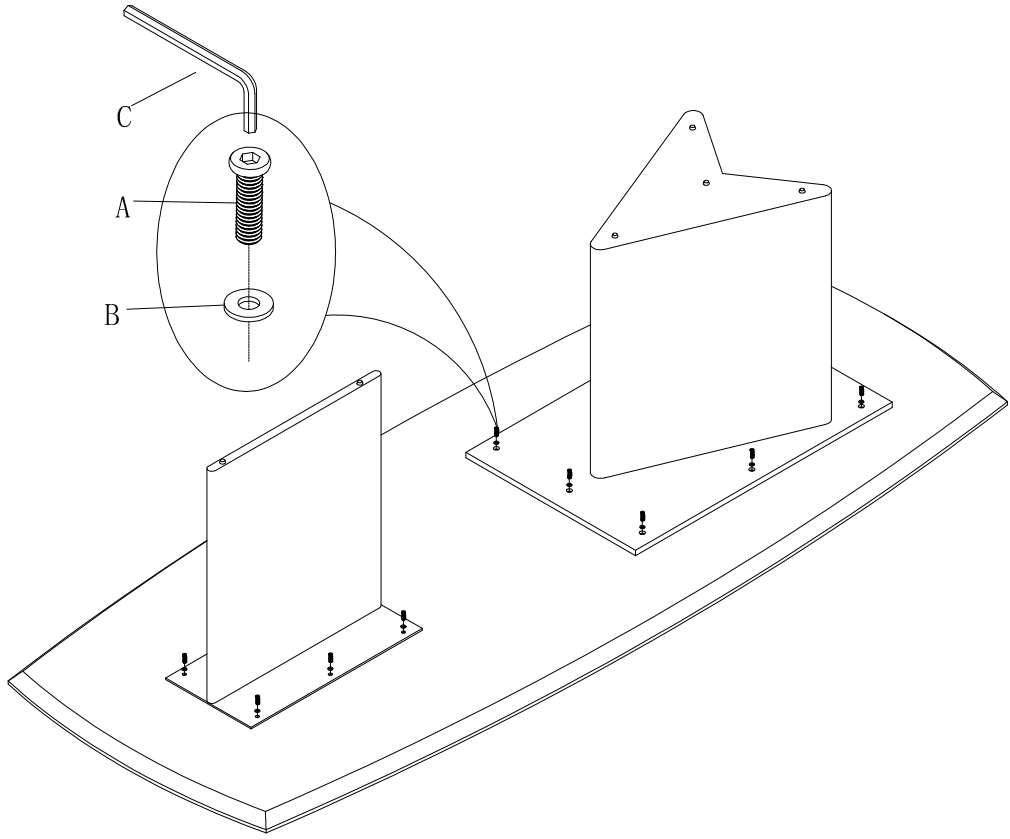
C x1
Spec: 5#



1

2





3

Adjustable Method

