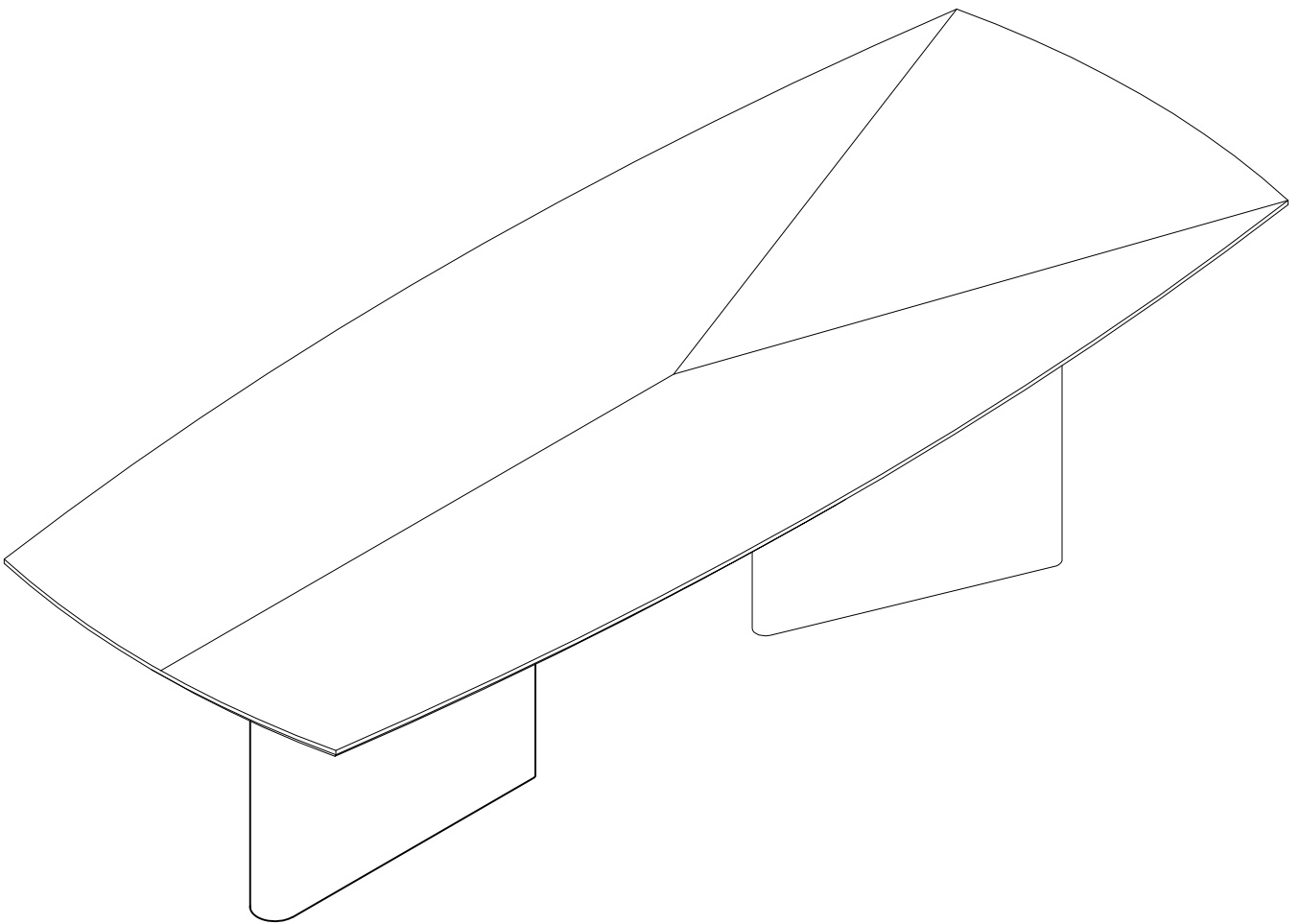


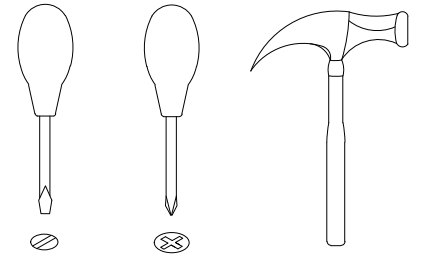
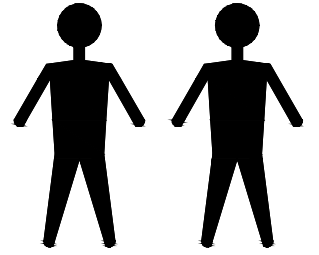


CPM6372-A



EAC

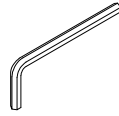
CPM6372-A



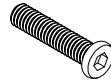
A x12
Spec: 5/16*L30



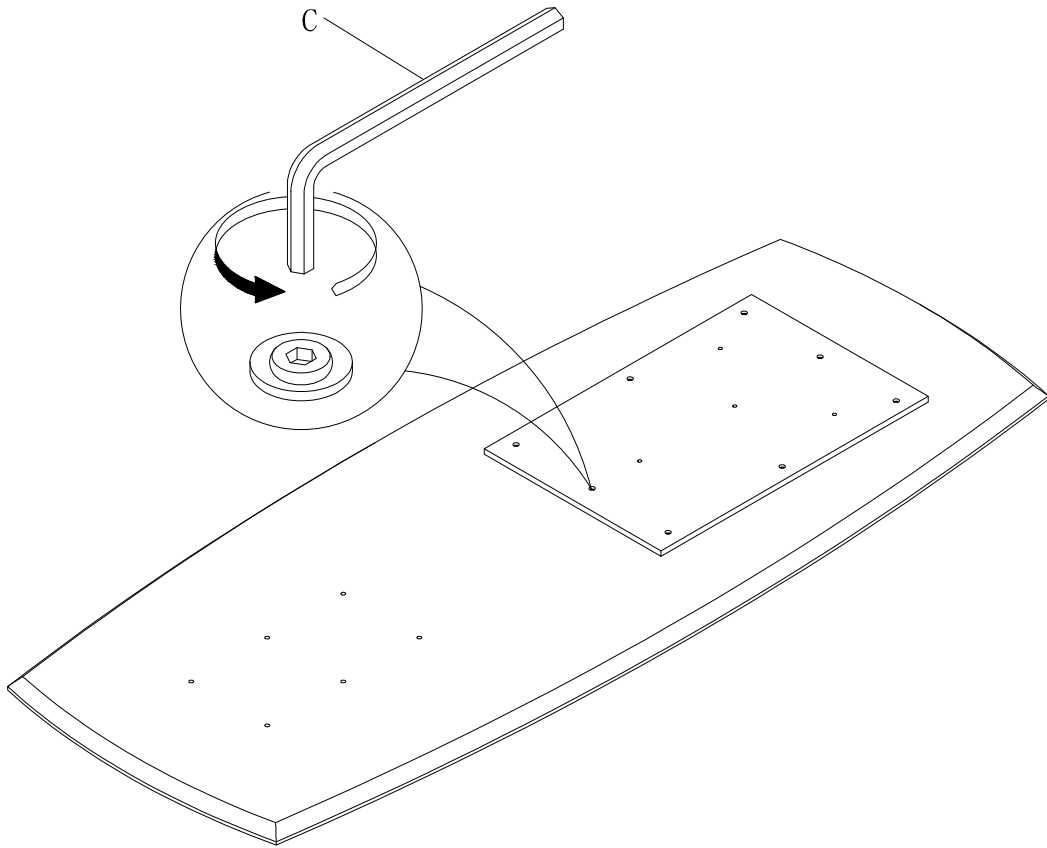
B x16
Spec: $\varnothing 8.2 * \varnothing 14$



C x1
Spec: 5#

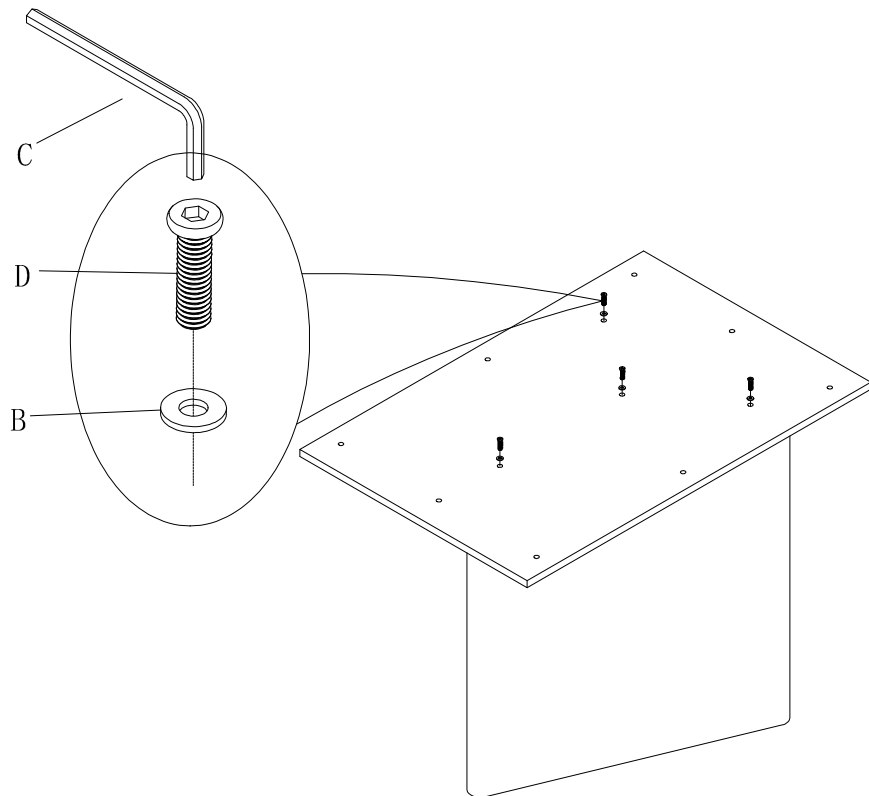


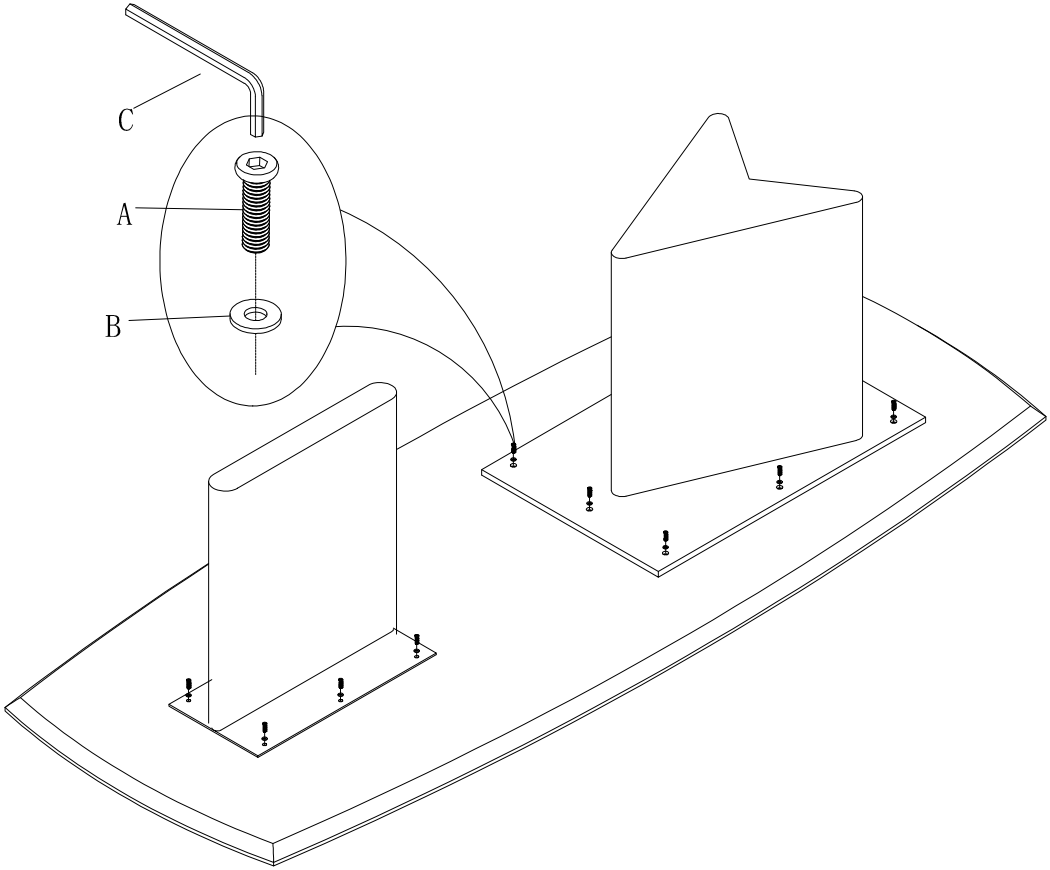
D x4
Spec: 5/16*L40



1

2





3
