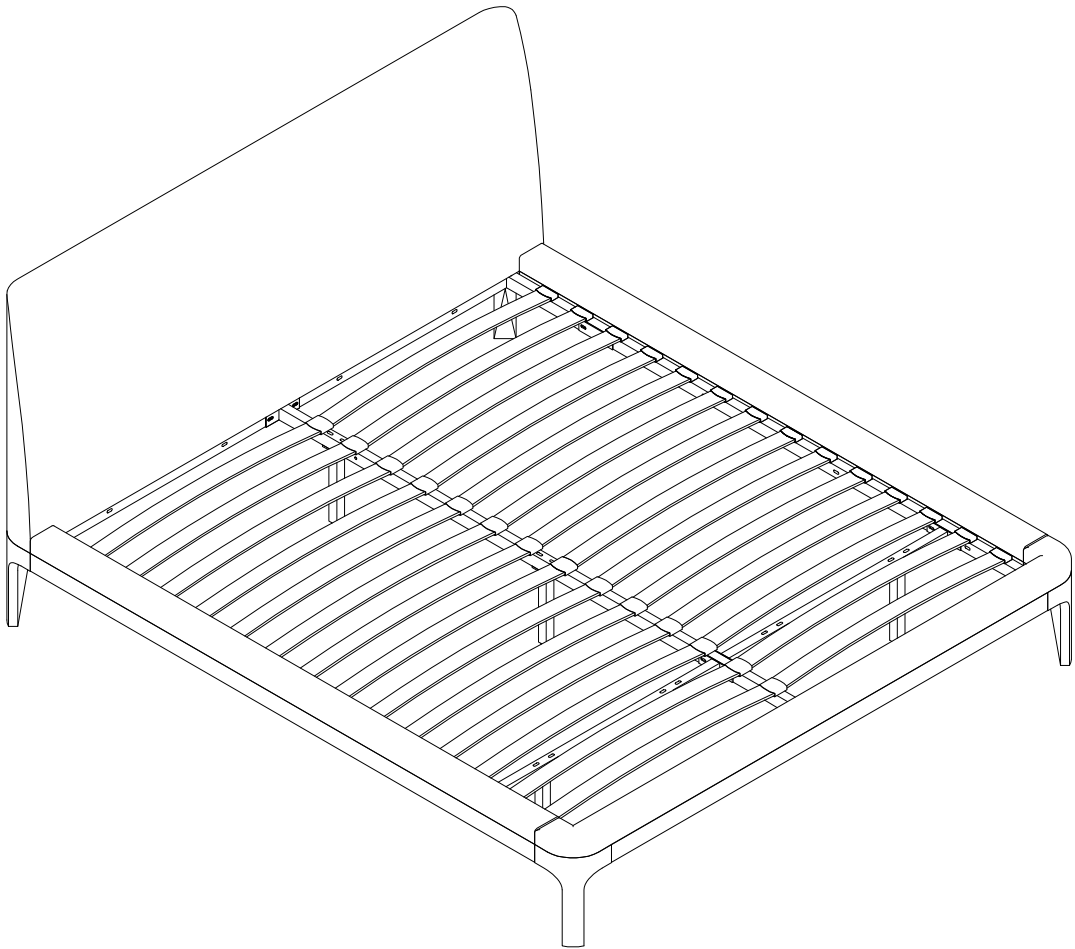
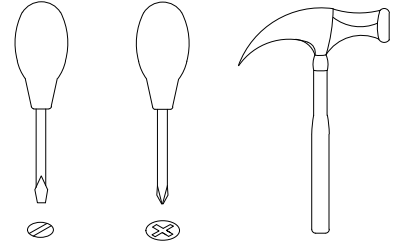
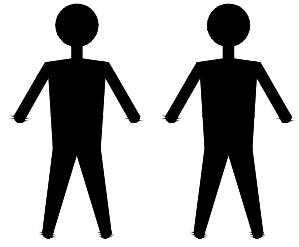


# CPM6670



**EAC**

# # CPM6670



A x16  
Spec:  $\phi 10 \times 40$



B x4  
Spec: M8\*L95



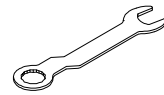
C x4  
Spec:



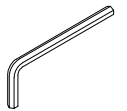
D x4  
Spec: M8



E x4  
Spec:  $\phi 8 \times \phi 14$



F x1  
Spec: 14#



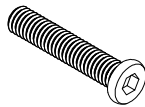
G x1  
Spec: 5#



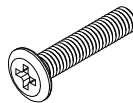
H x24  
Spec:  $\phi 8 \times \phi 18$



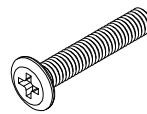
I x10  
Spec:  $\phi 6 \times \phi 18$



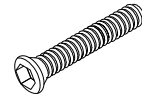
J x8  
Spec: 5/16\*L60



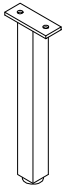
K x4  
Spec: M6\*60



L x16  
Spec: M6\*45



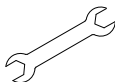
M x12  
Spec: M6\*L50



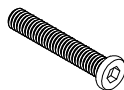
N x4  
Spec: L250



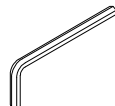
O x10  
Spec: M6



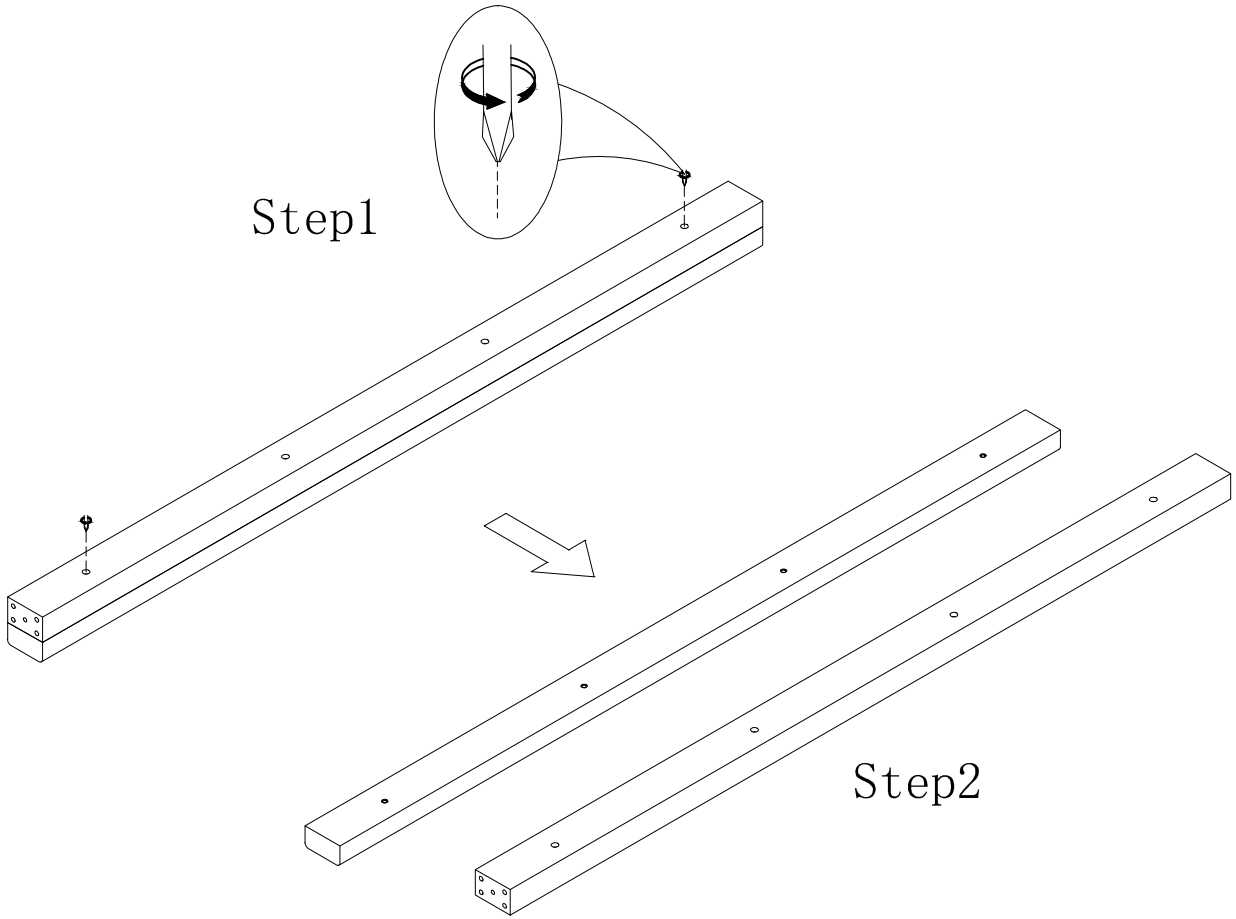
P x1  
Spec: 10mm



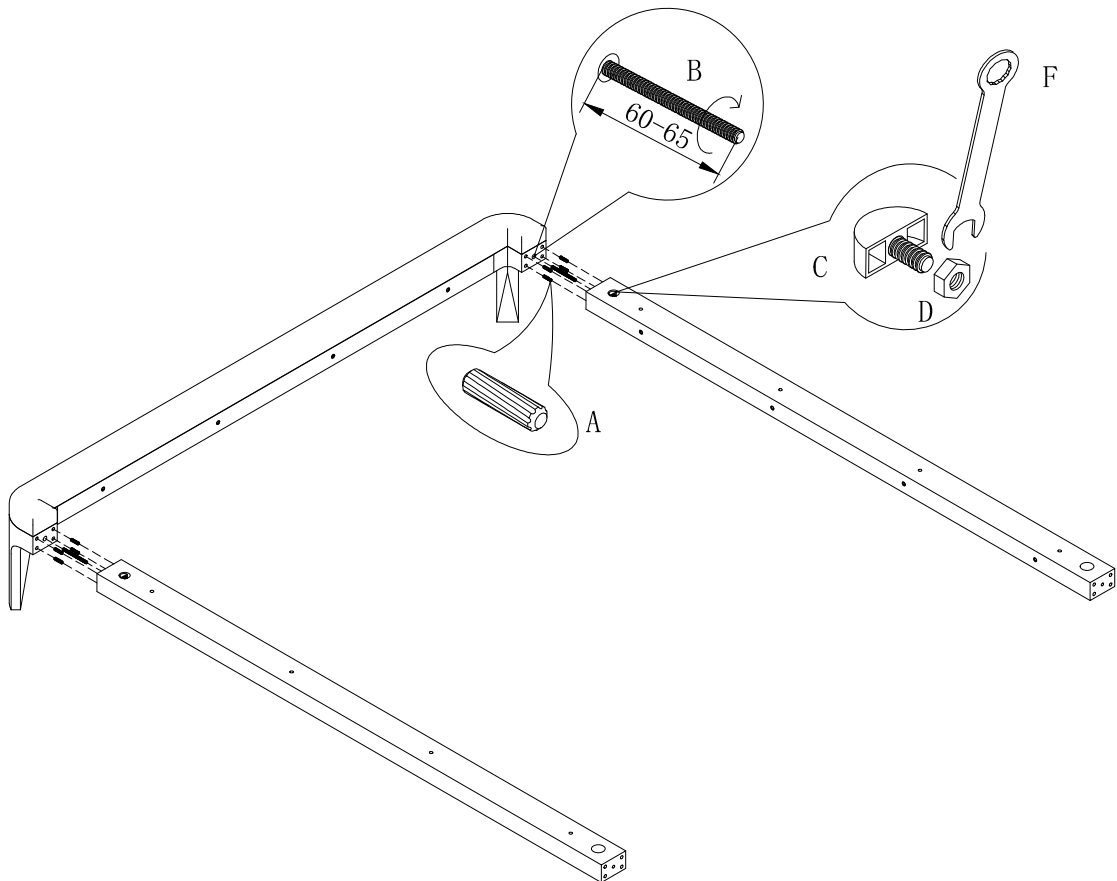
Q x2  
Spec: M6\*L50

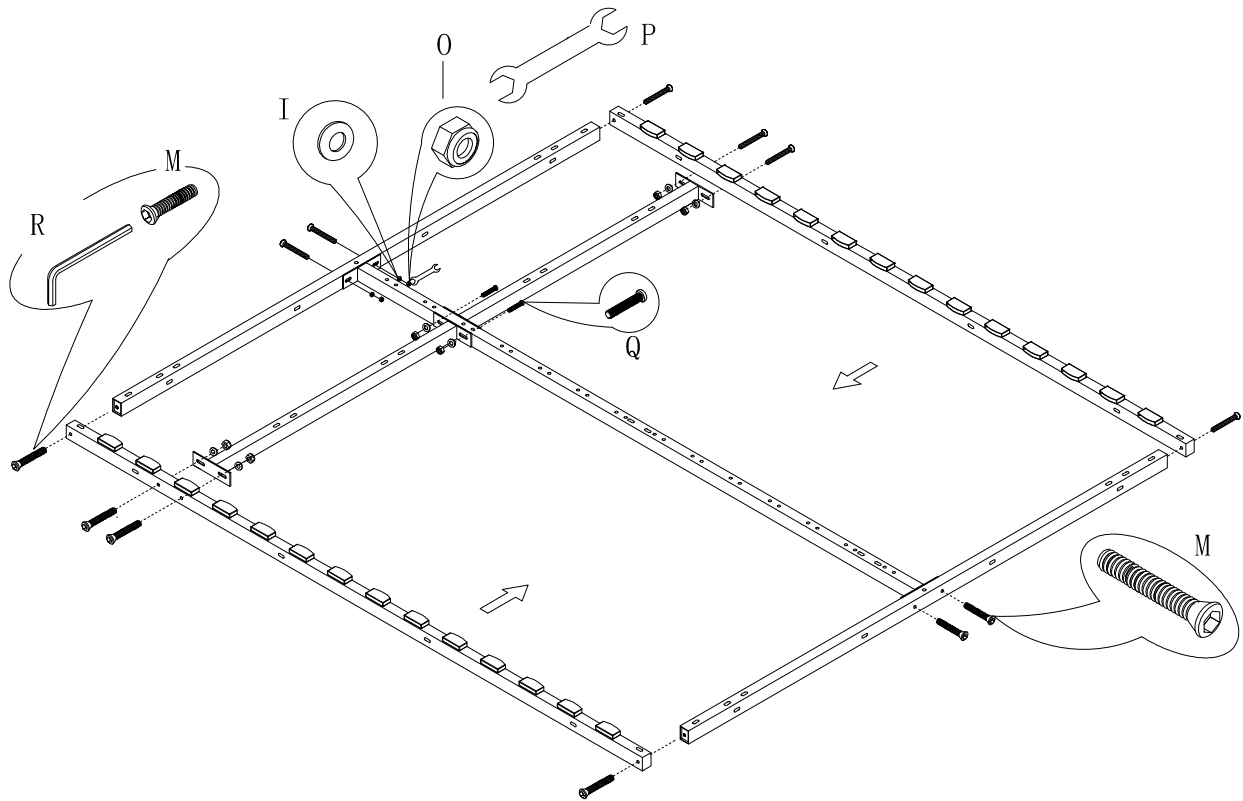


R x1  
Spec: 4#



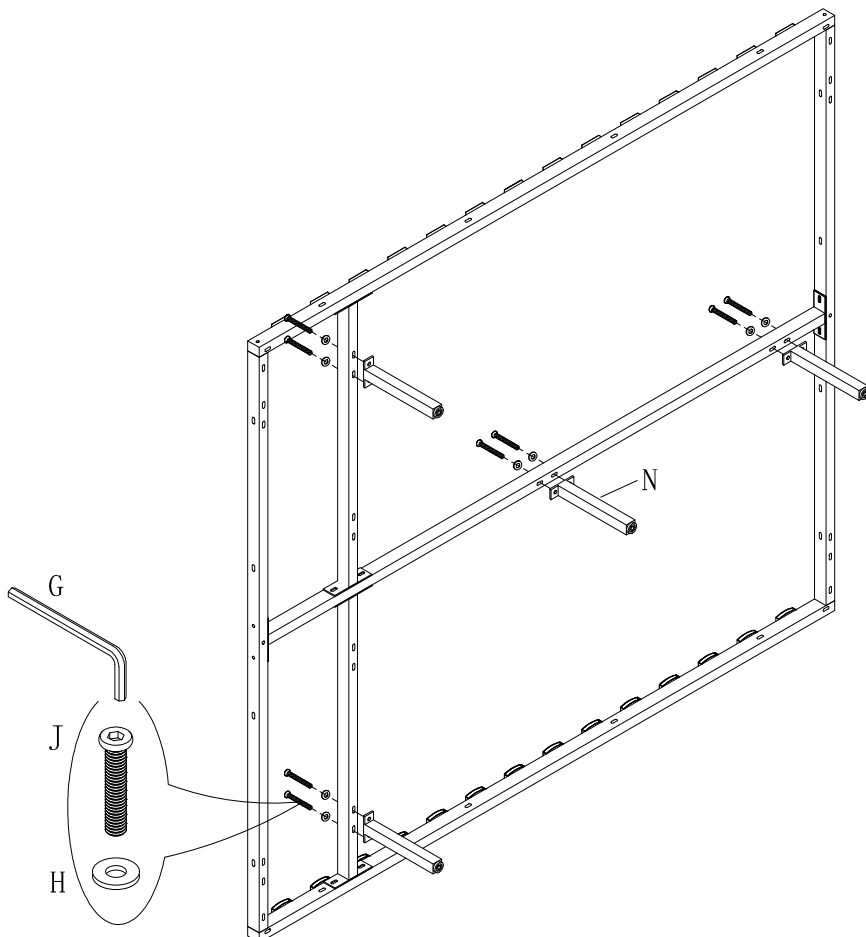
2

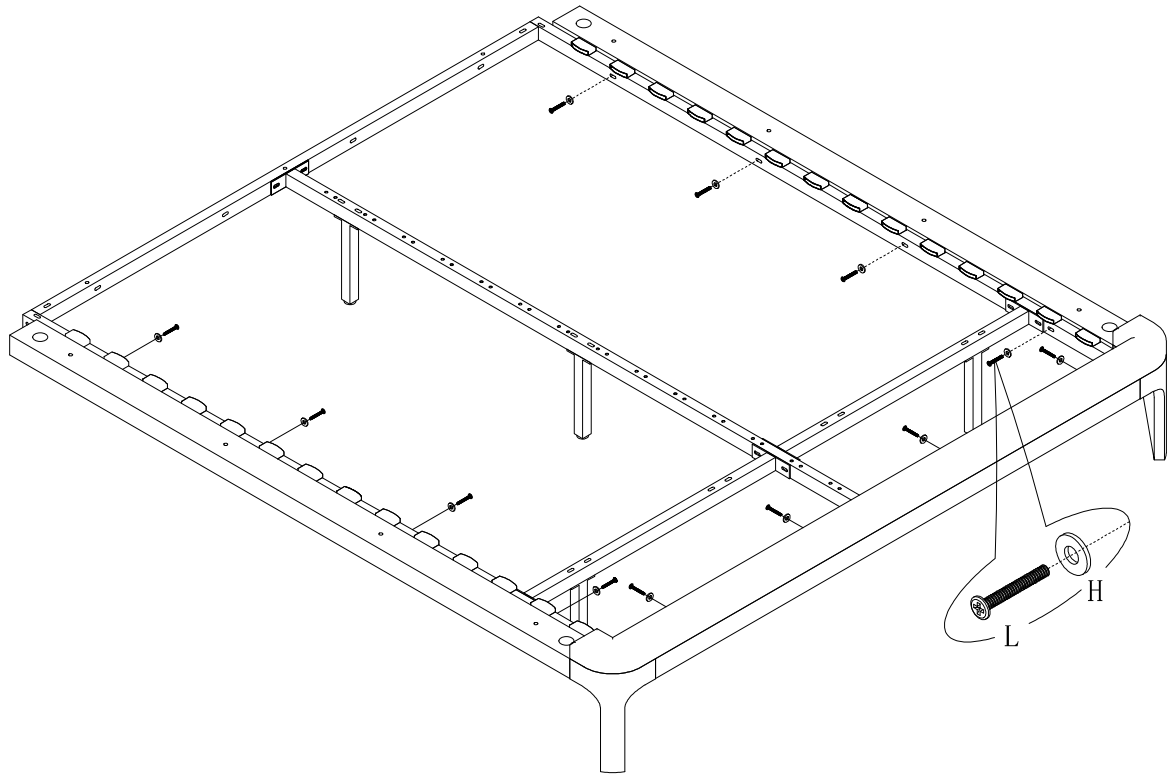




3

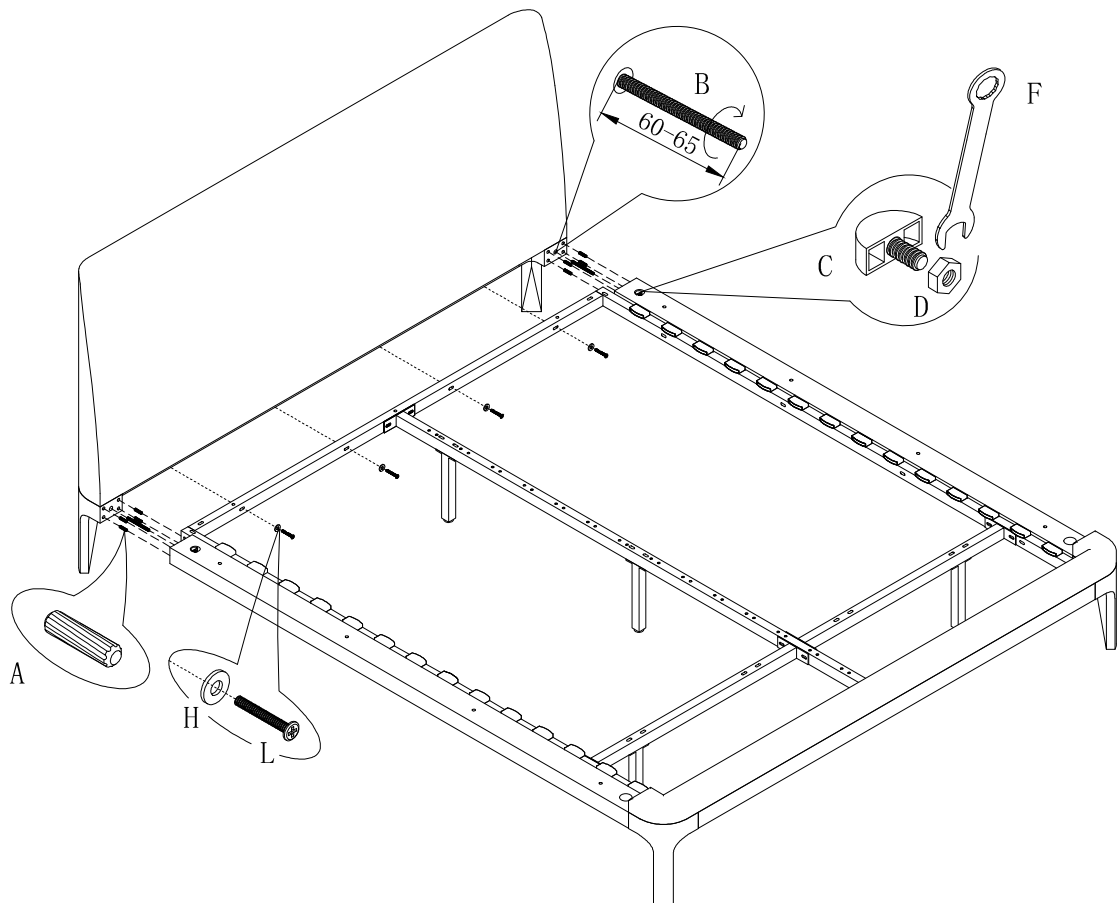
4

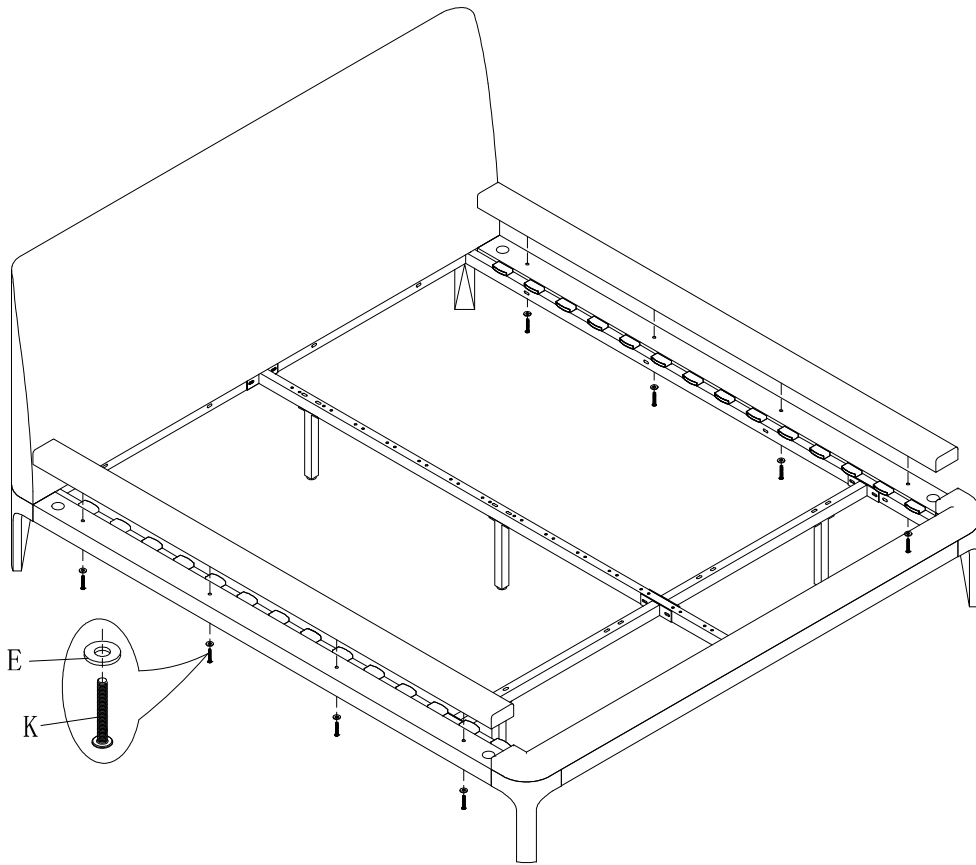




5

6





7

8

