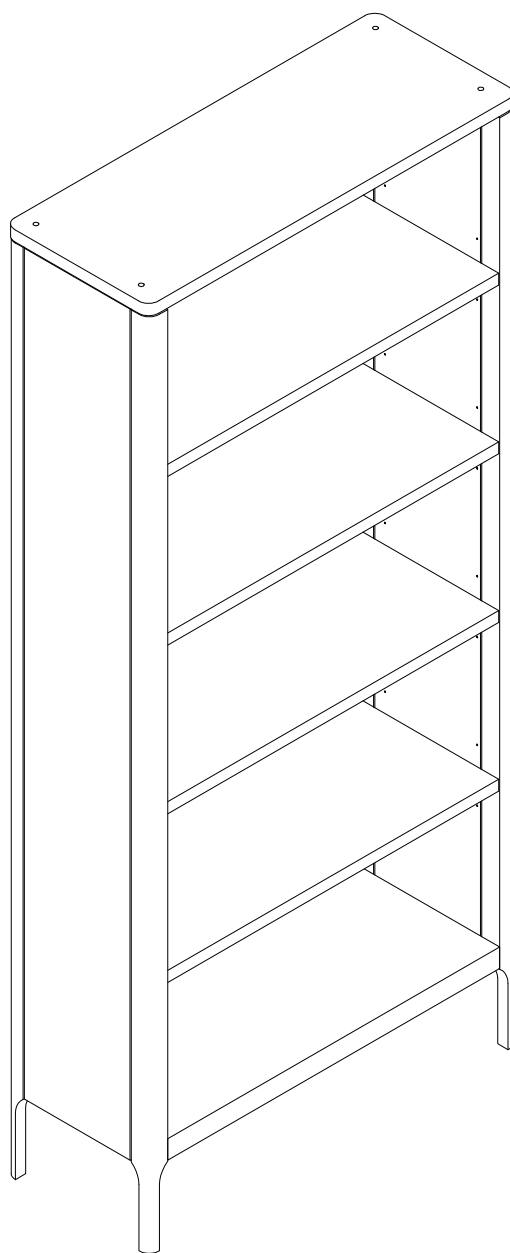
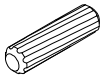
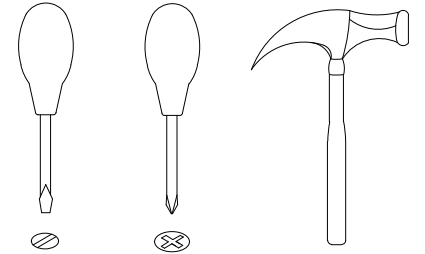
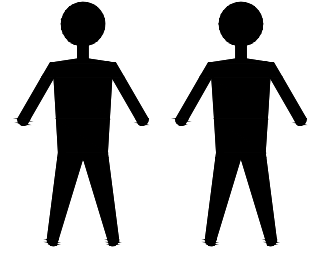


CPM6765

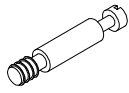


EAC

CPM6765



A x24
Spec: $\varnothing 8 * 30$



B x14
Spec: $\varnothing 7 * L30$



C x14
Spec: $\varnothing 15 * H12$



D x4
Spec: $M8 * L85$



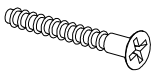
E x4
Spec:



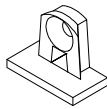
F x4
Spec: M8



G x4
Spec: $\varnothing 38$



H x4
Spec: $\varnothing 5 * L38$



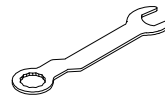
I x16
Spec:



J x16
Spec: $\varnothing 4 * L13$

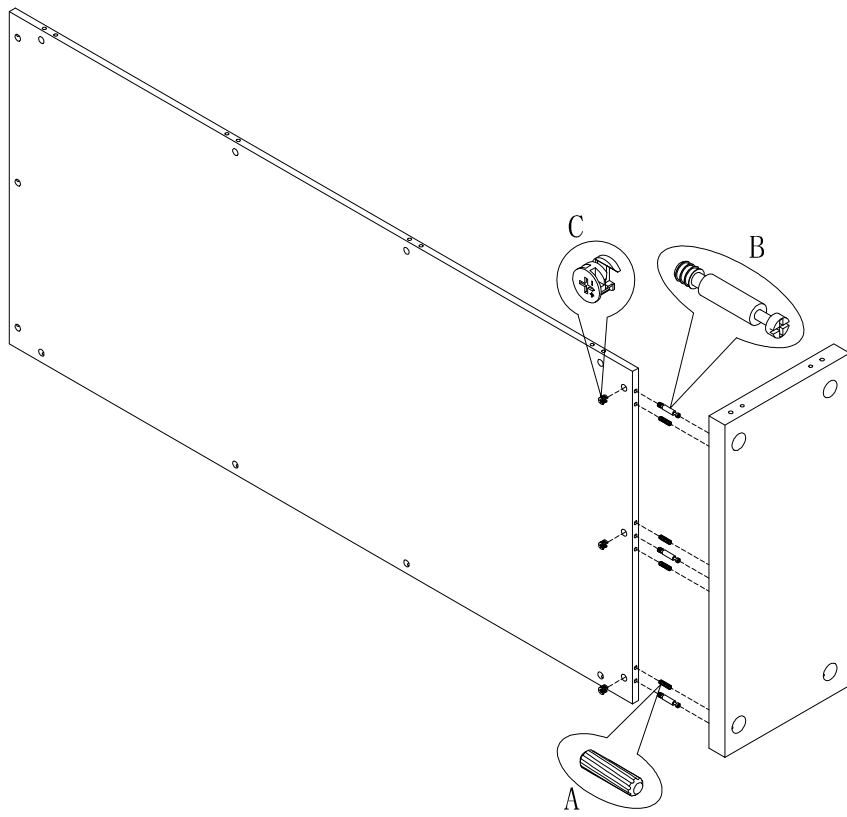


K x14
Spec:

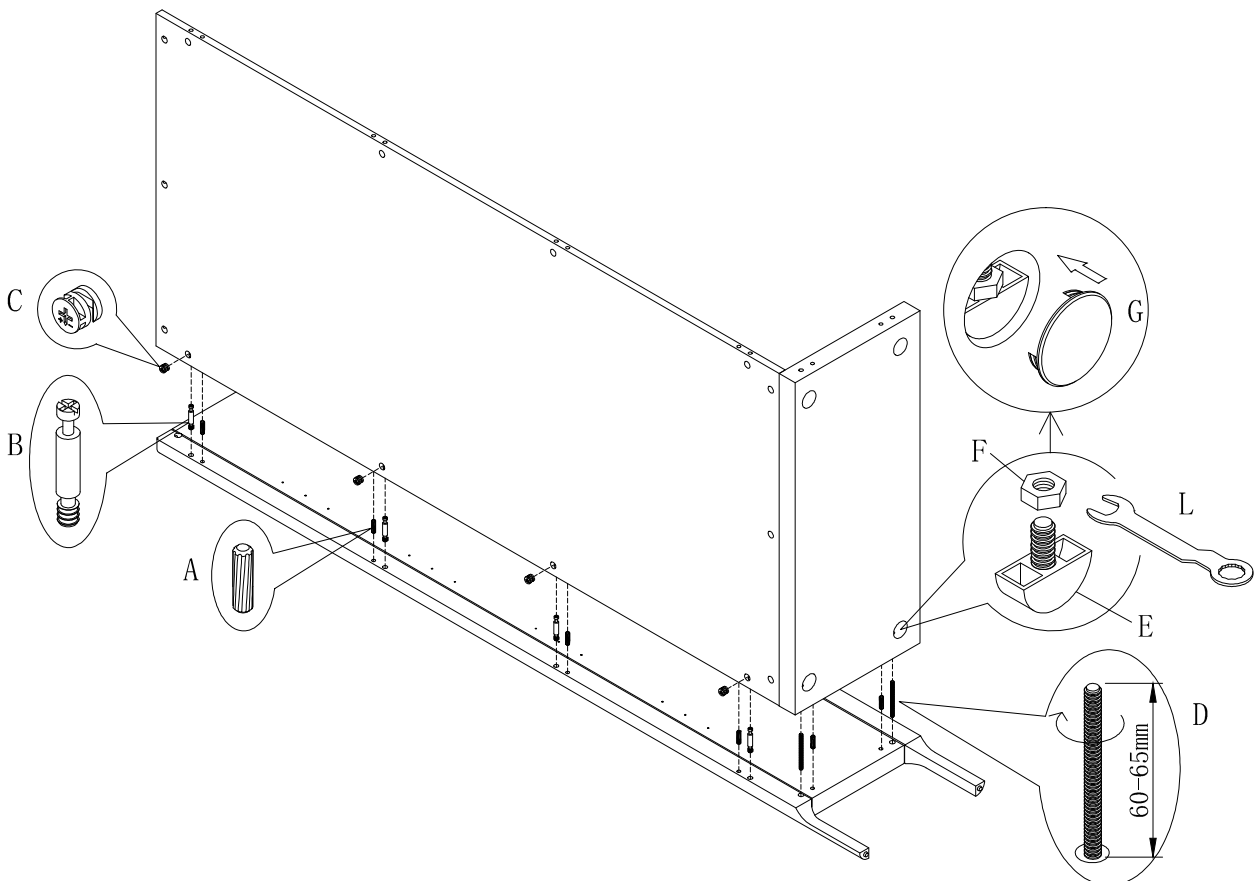


L x1
Spec: 14#

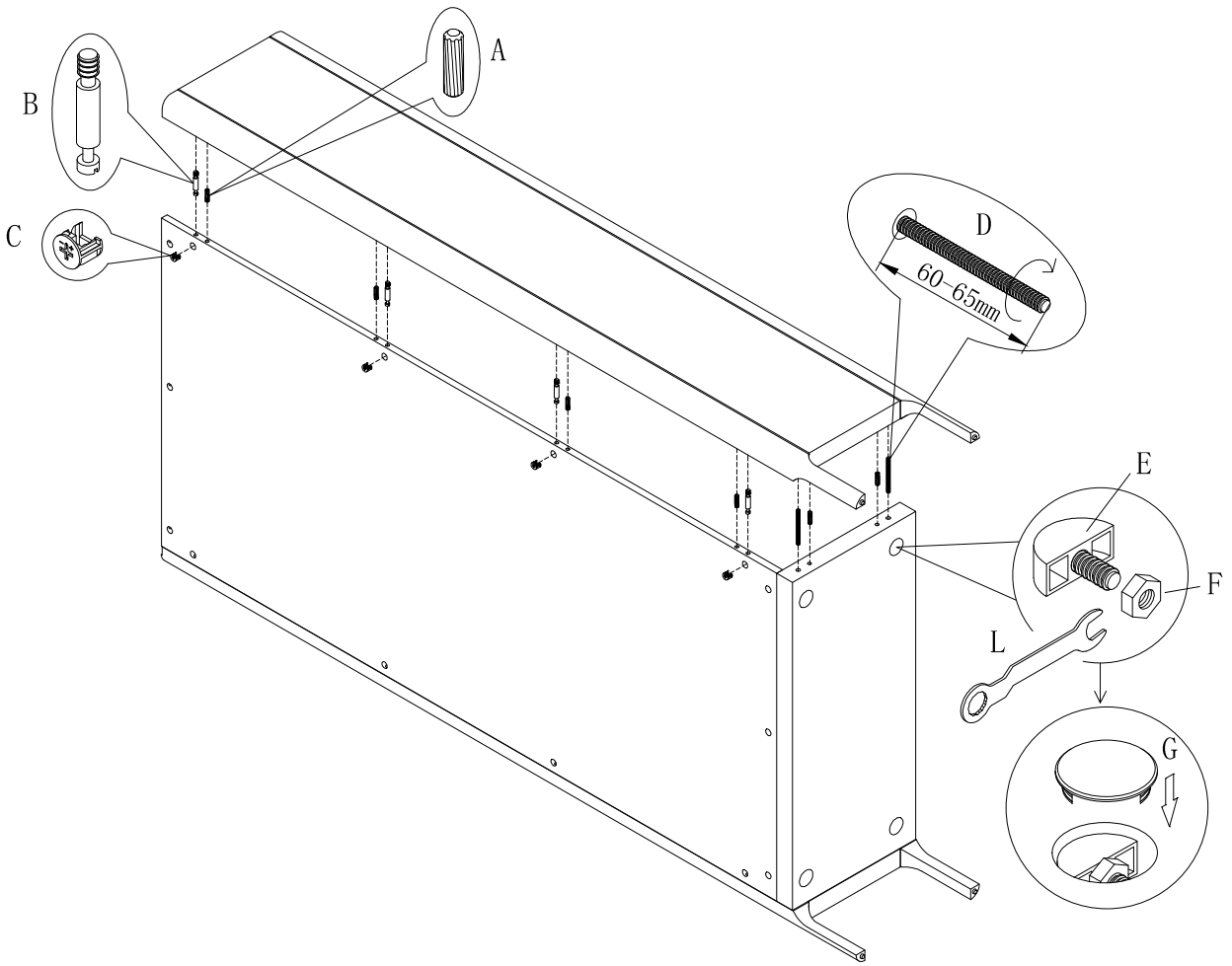
1



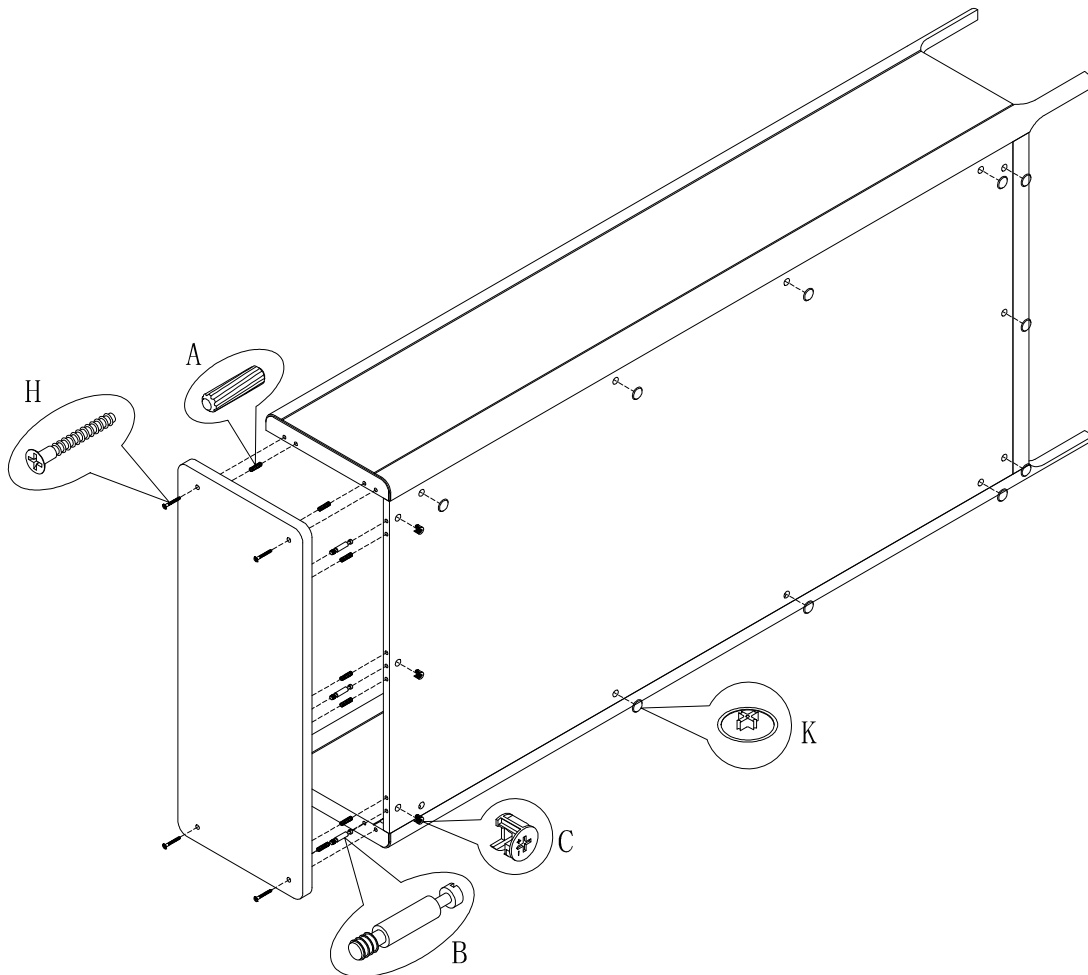
2



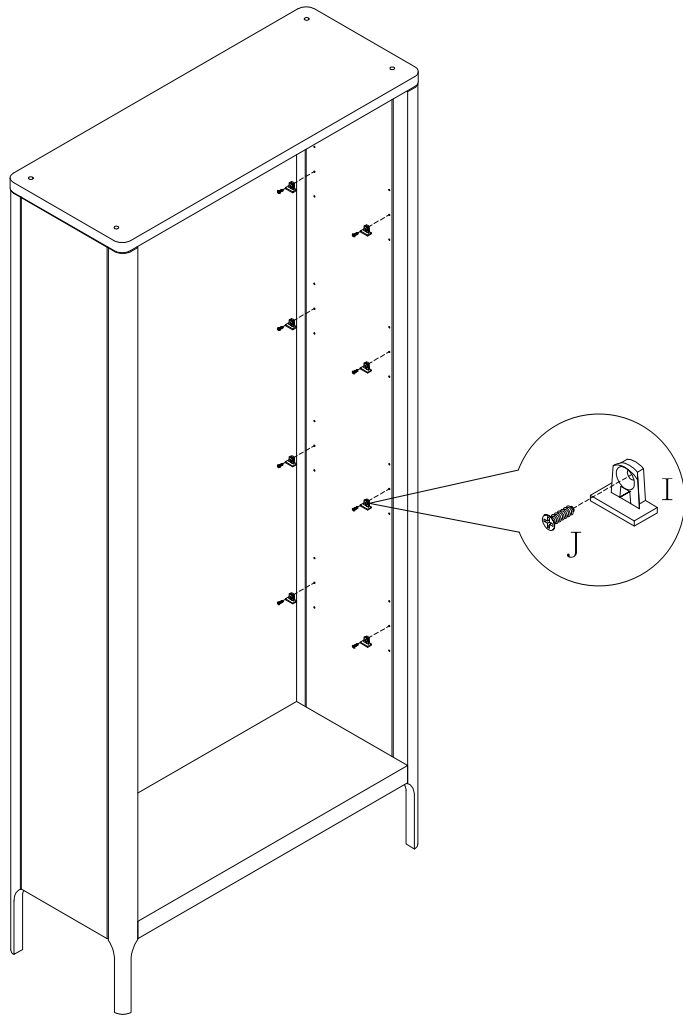
3



4



5



6

