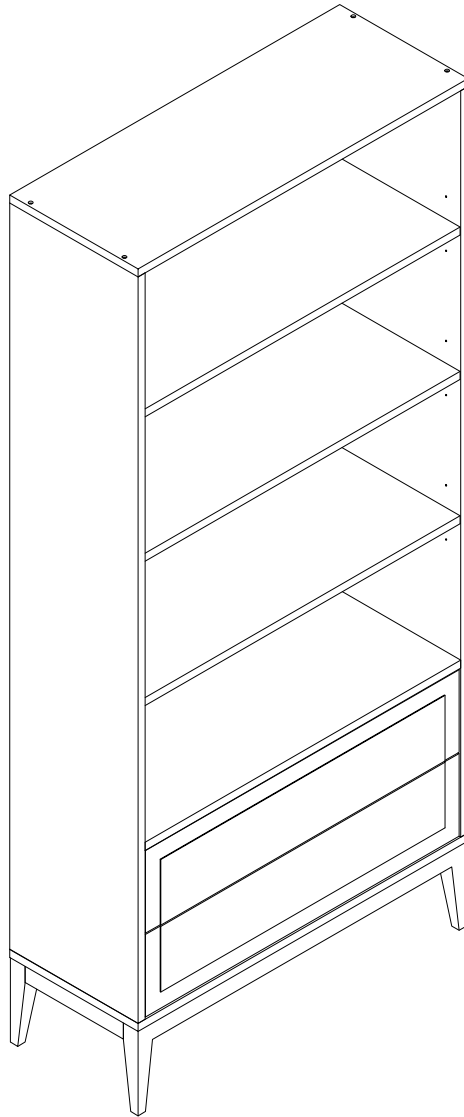


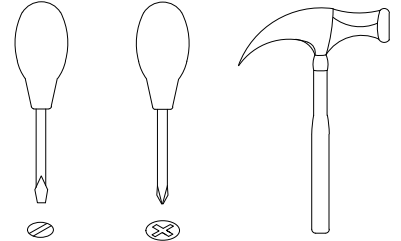
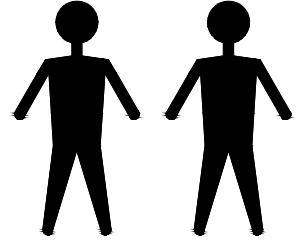


CPM6767-V/V

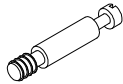


EAC

CPM6767-V/V



A x29
Spec: $\phi 8 \times 30$



B x17
Spec: $\phi 7 \times L30$



C x17
Spec: $\phi 15 \times H12$



D x12
Spec: $\phi 6 \times L28$



E x12
Spec: $\phi 12 \times H9$



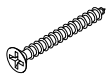
F x16
Spec: $\phi 6 \times 30$



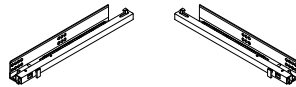
G x8
Spec: $\phi 6 \times L8$



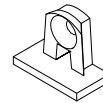
H x8
Spec: $\phi 3.5 \times L35$



I x8
Spec: $\phi 3.8 \times L38$



J x2
Spec: L300



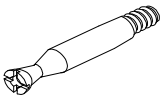
K x12
Spec:



L x12
Spec: $\phi 4 \times L13$



M x8
Spec:



N x8
Spec: $\phi 7 \times L48$



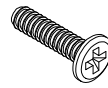
O x8
Spec: $\phi 15 \times H15$



P x18
Spec:



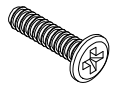
Q x16
Spec: $\phi 8 \times \phi 14$



R x10
Spec: M6*45



S x4
Spec: $\phi 5 \times L38$



T x6
Spec: M6*35



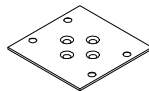
U x21
Spec:



V x3
Spec: $\phi 3.8 \times L25$



W x4
Spec: $3.8 \times L16$



X x1
Spec: $78 \times 78 \times 1.8$



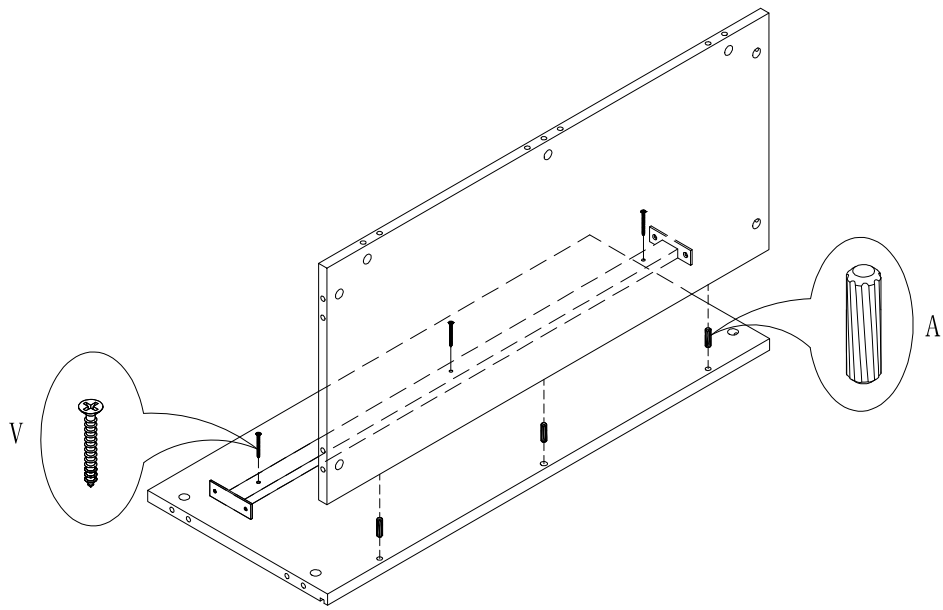
Y x4
Spec: $\phi 4 \times L16$



Z x4
Spec: $\phi 3.8 \times L20$

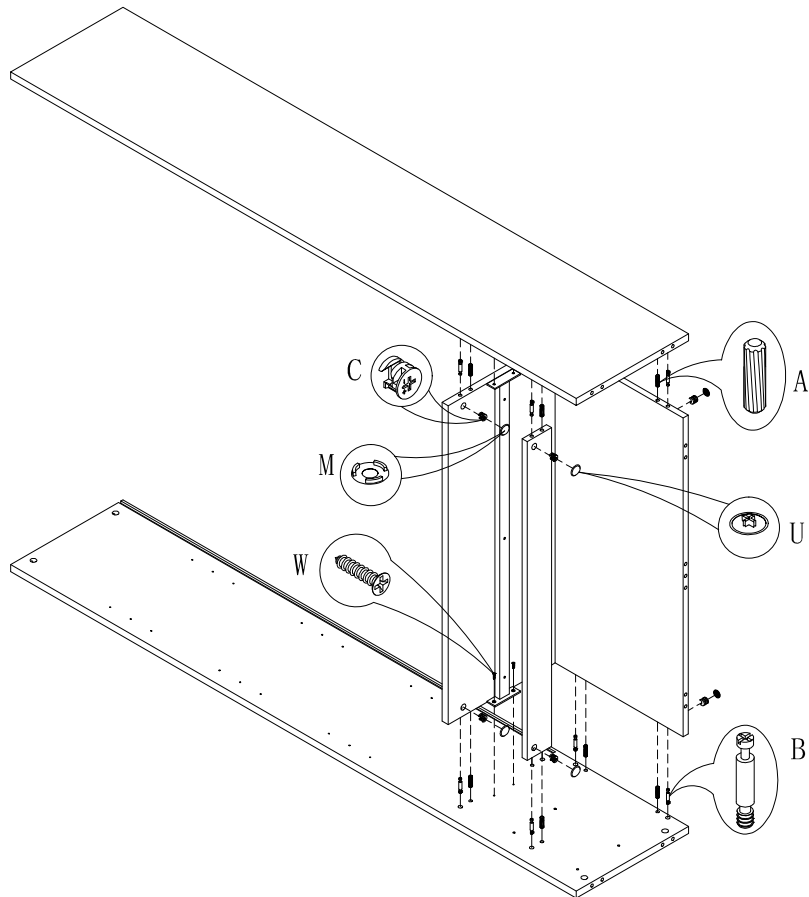


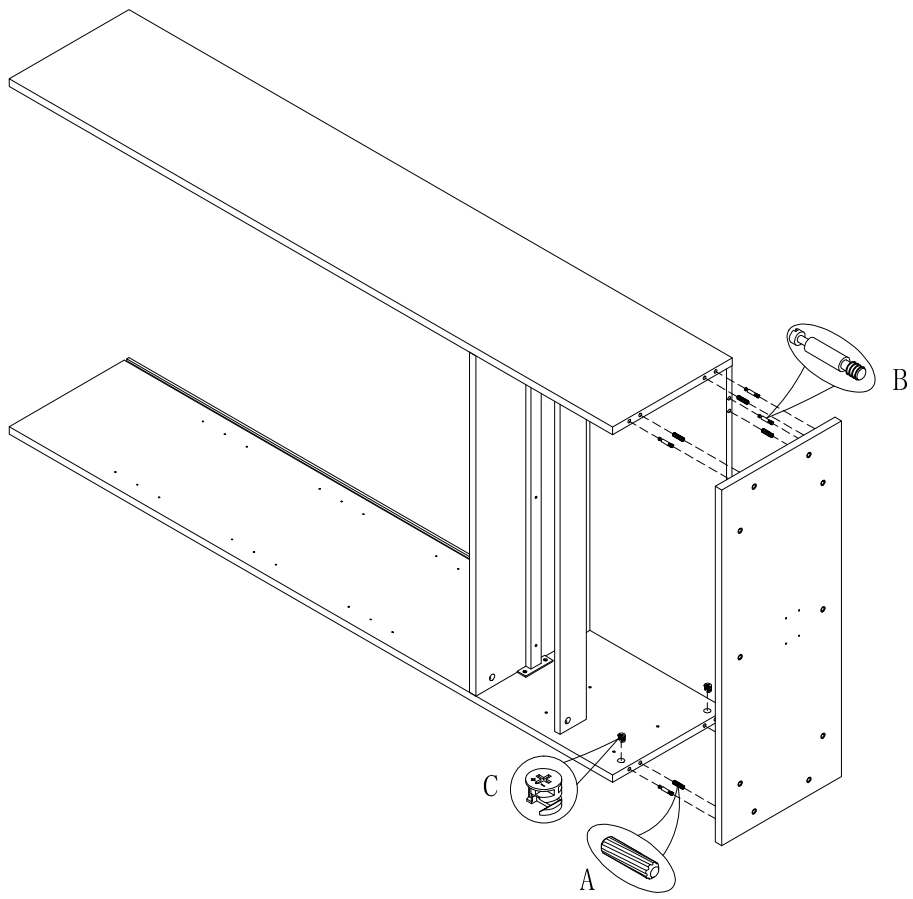
AAA x8
Spec: $\phi 3.8 \times L12$



1

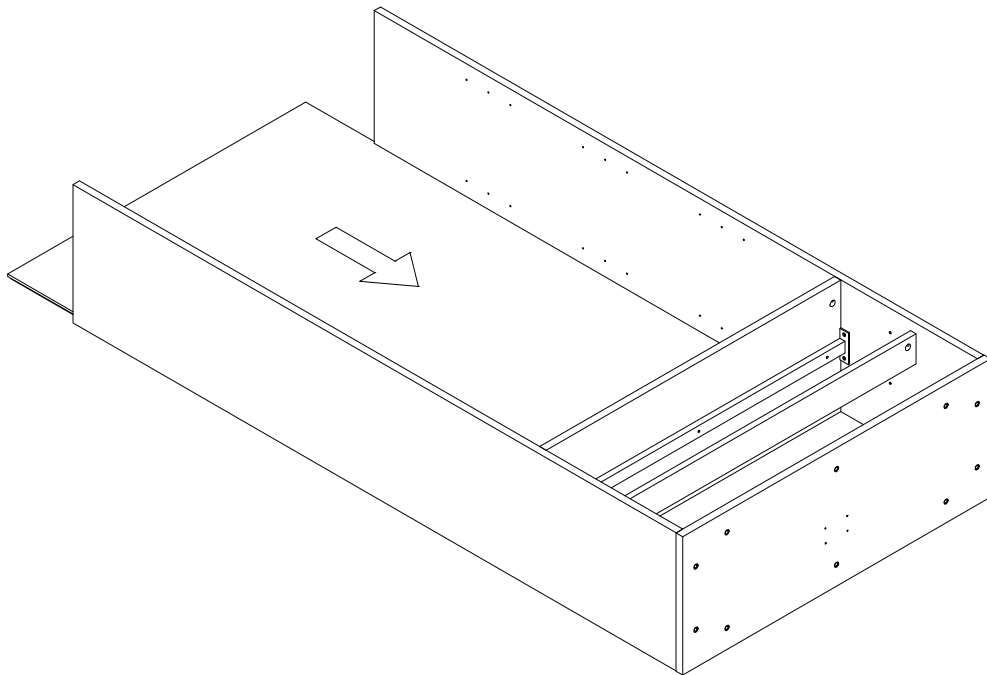
2

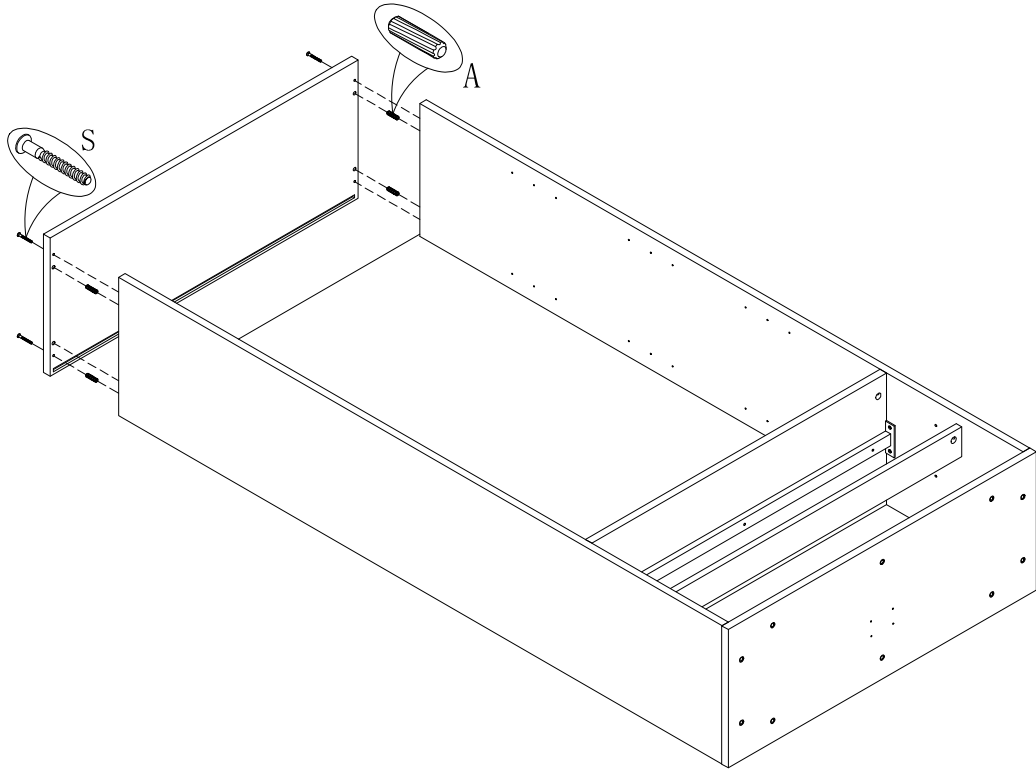




3

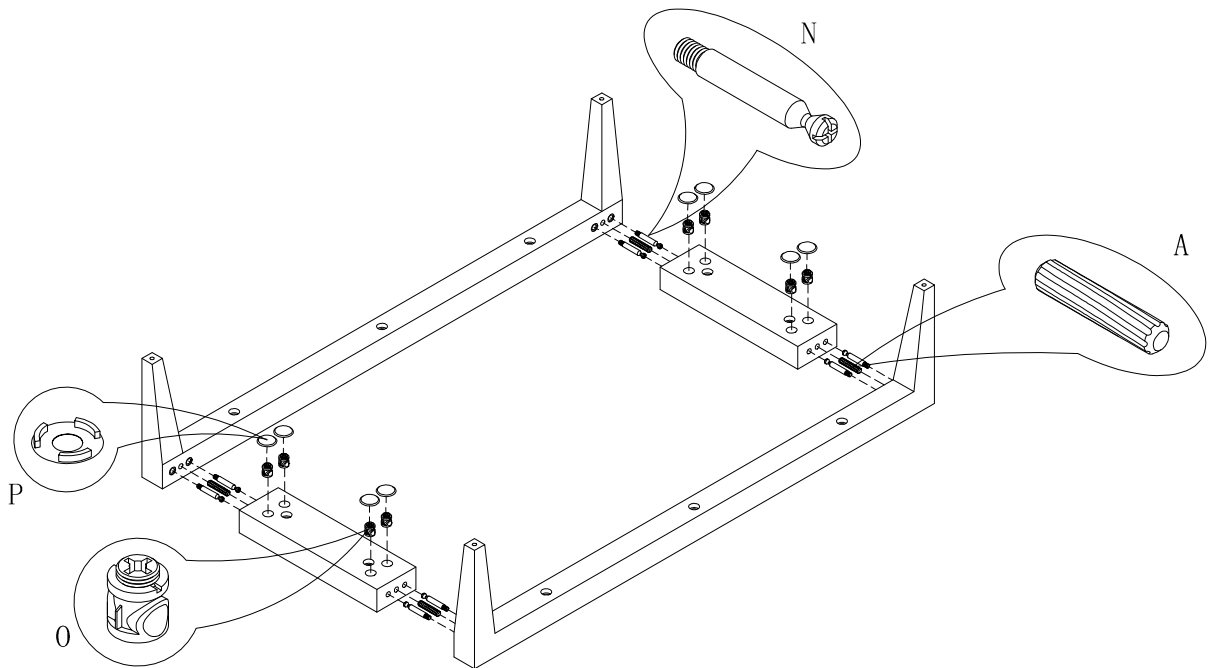
4

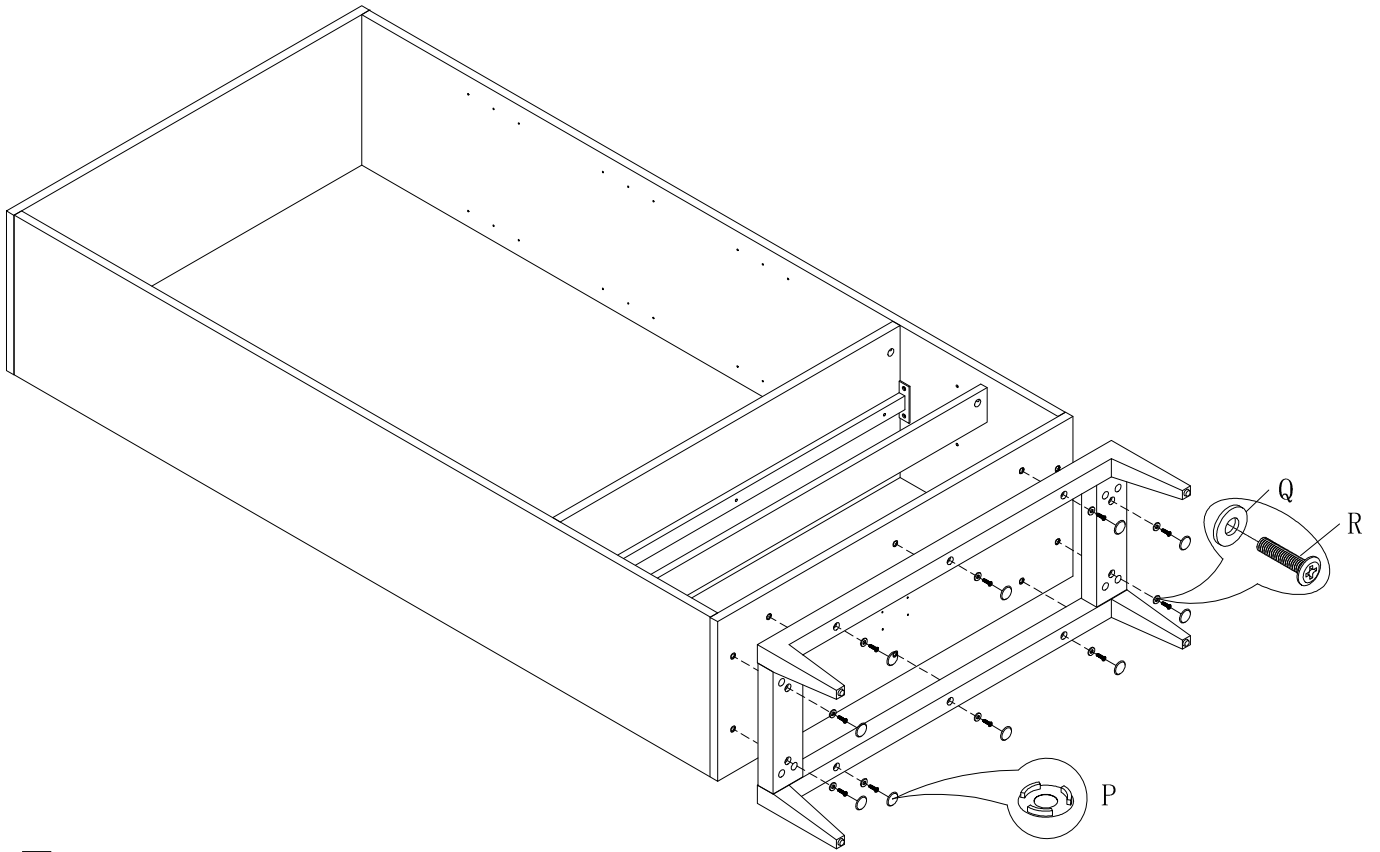




5

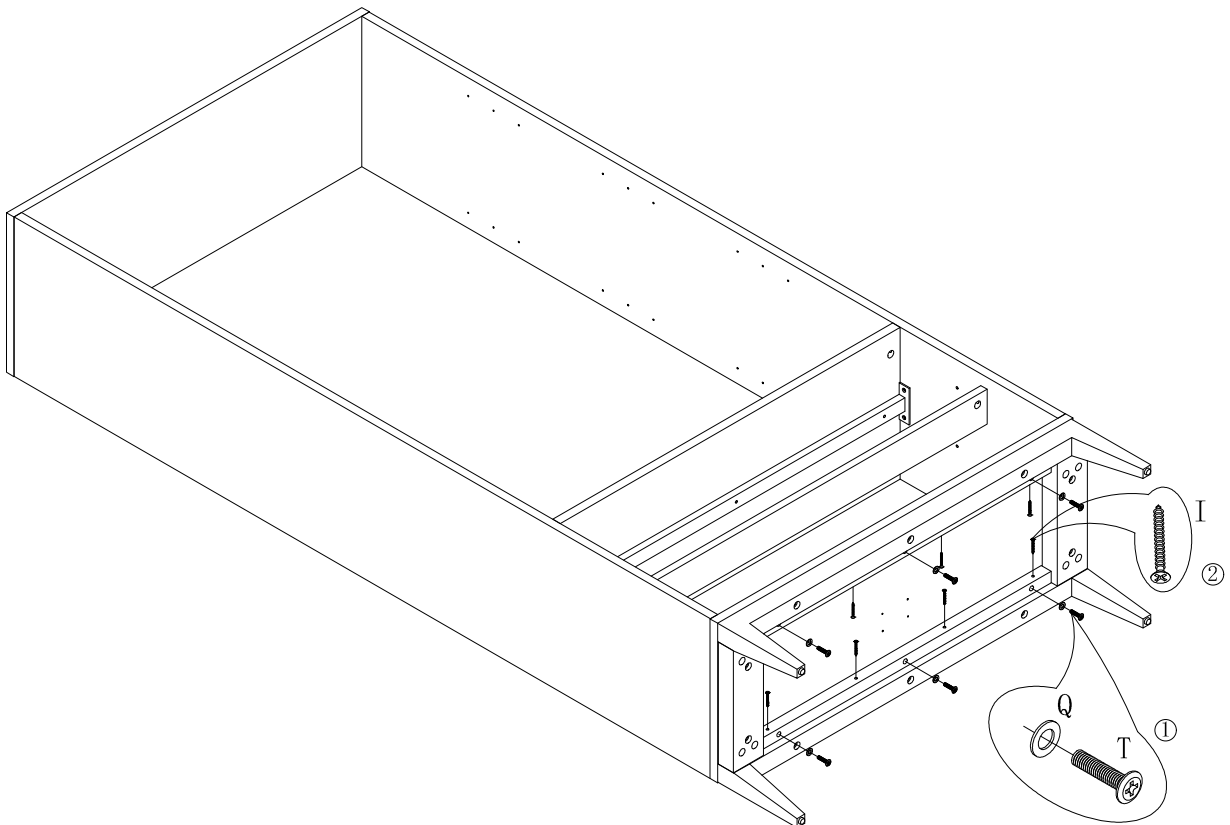
6

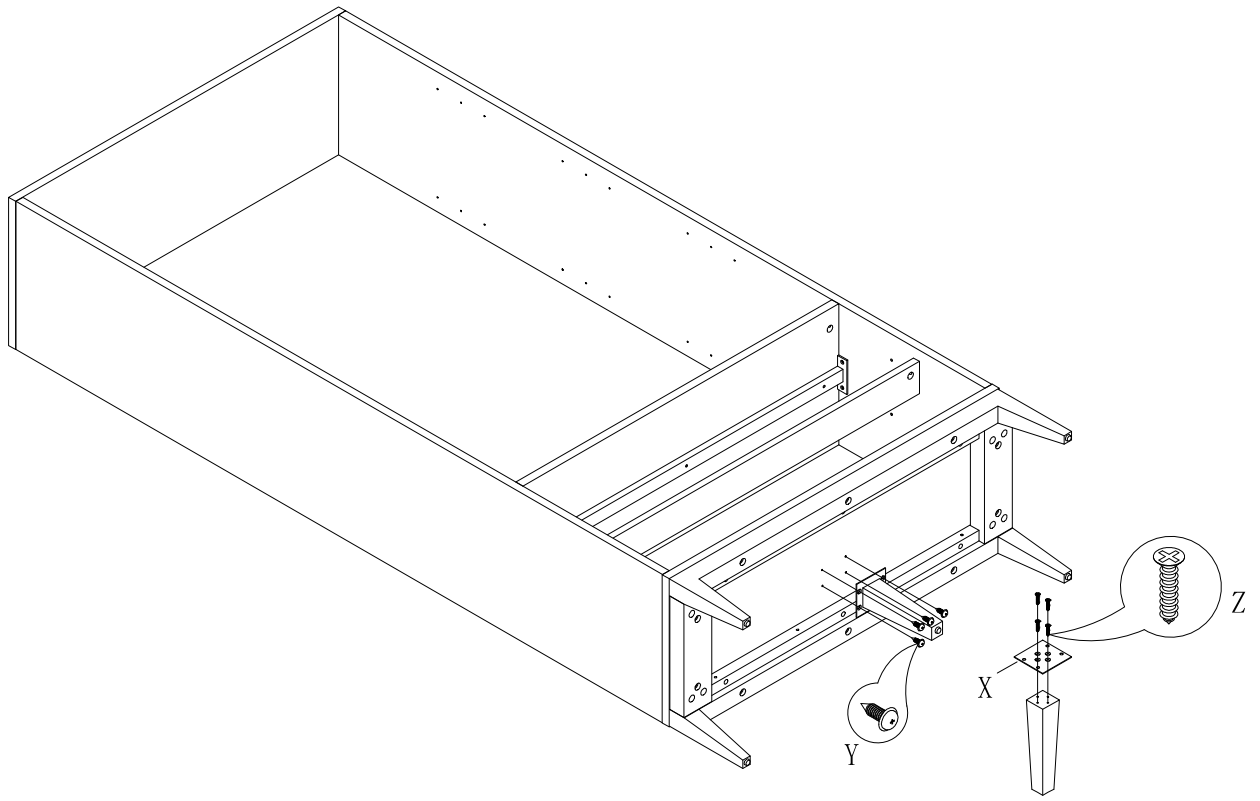




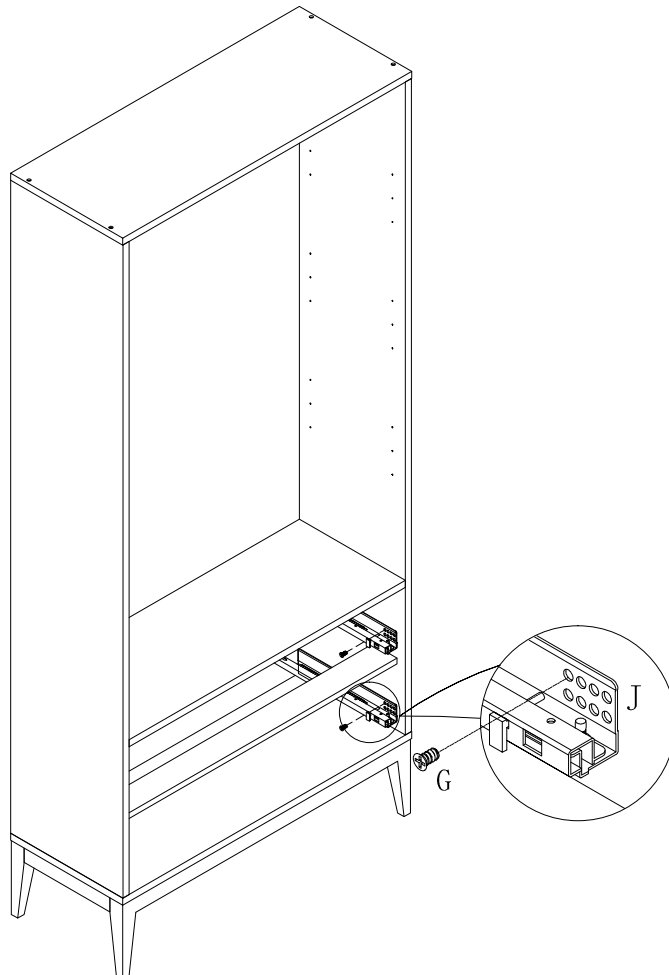
7

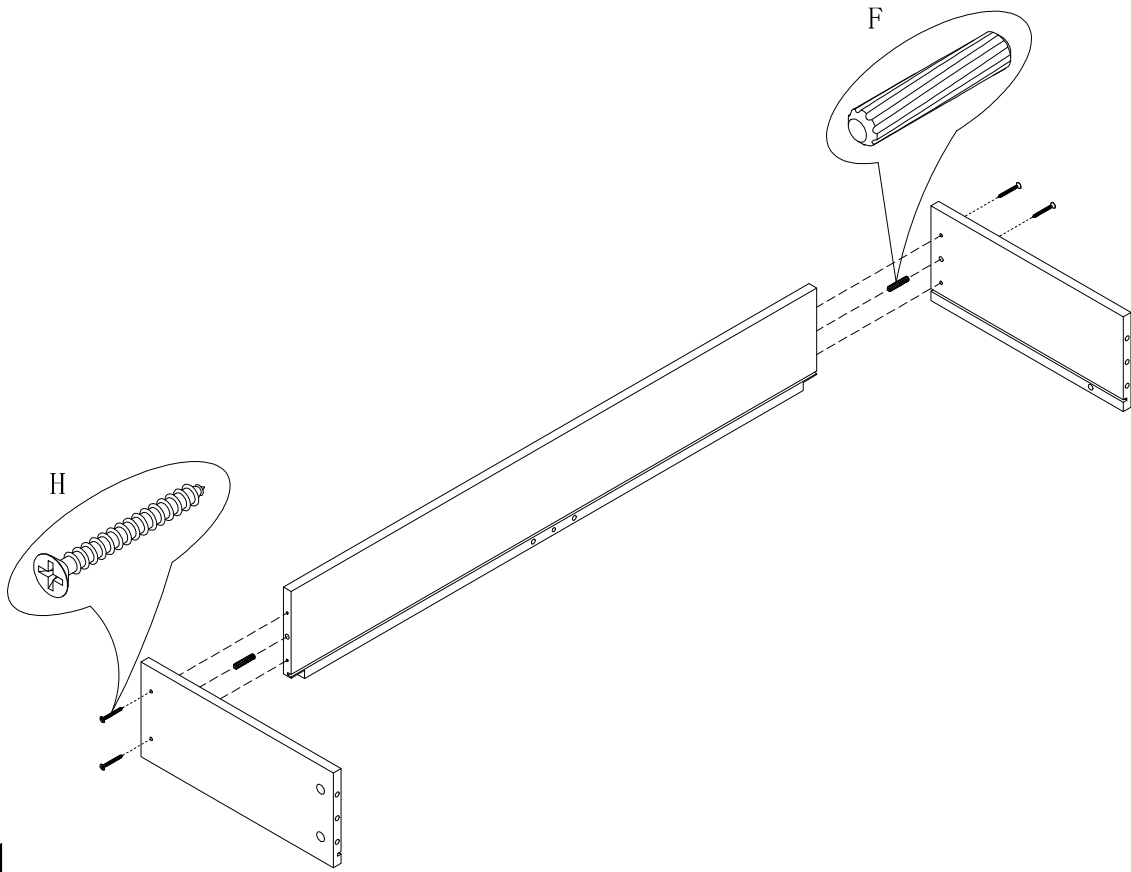
8





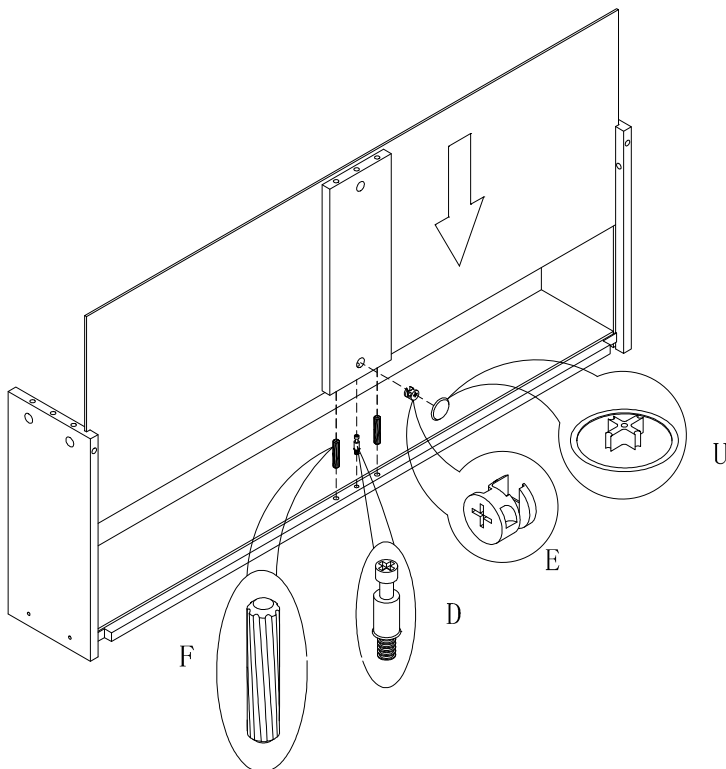
10

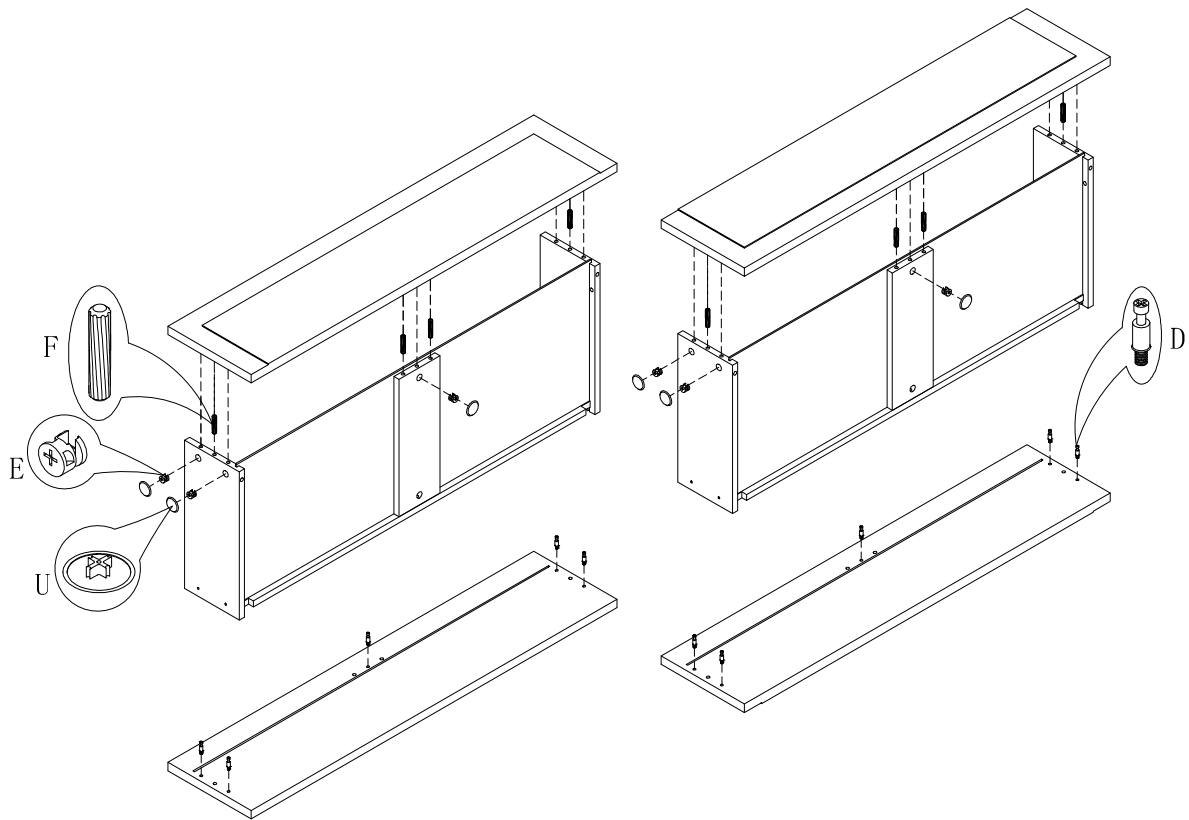




11

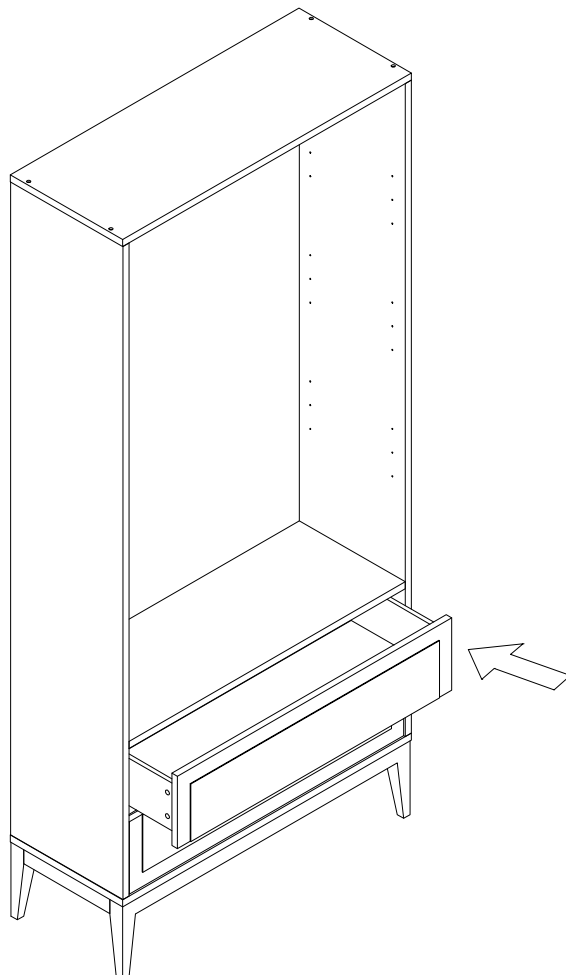
12

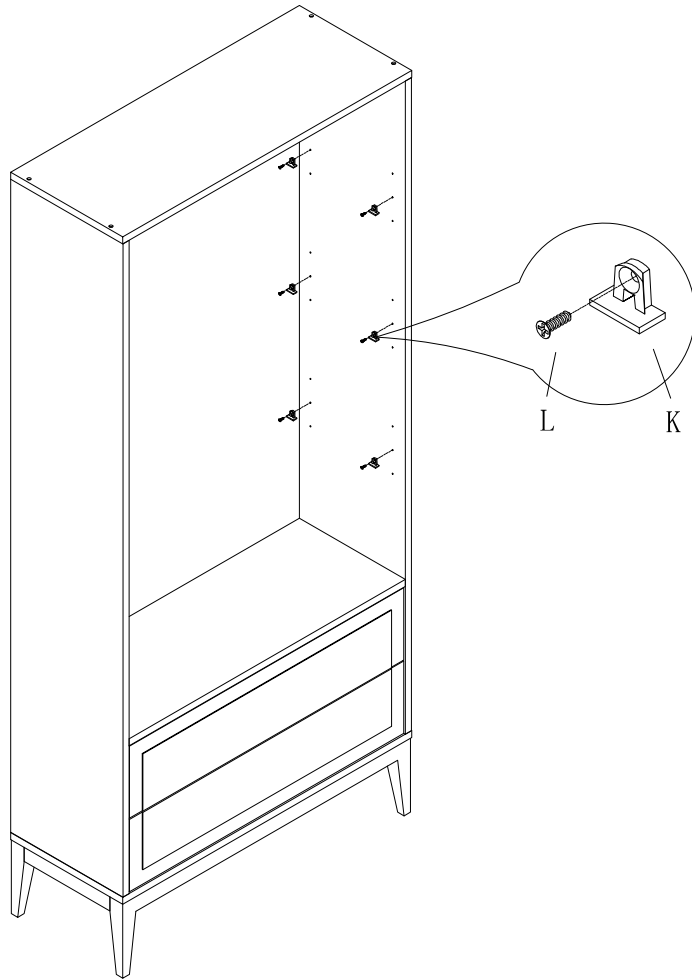




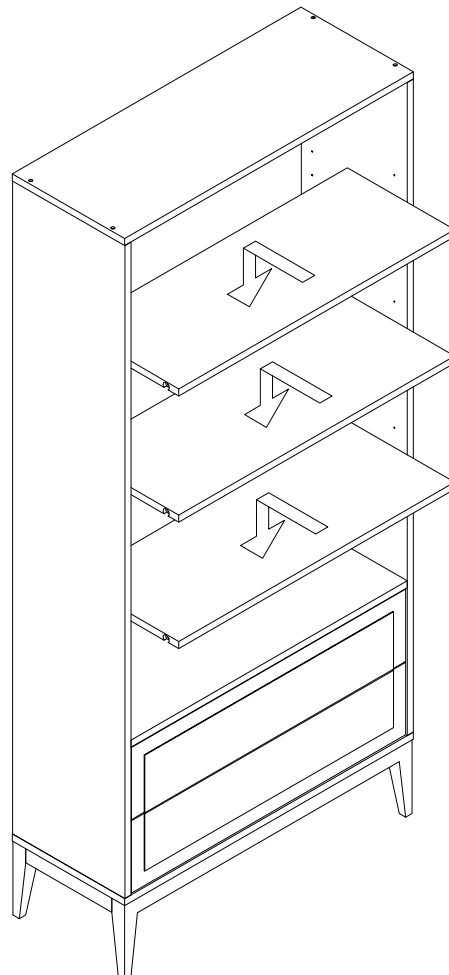
13

14





15



16