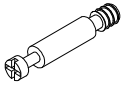


A x12
Spec: $\phi 8 \times 30$



B x12
Spec: $\phi 7 \times L30$



C x12
Spec: $\phi 15 \times H12$



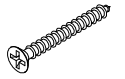
D x12
Spec: $\phi 6 \times L28$



E x12
Spec: $\phi 12 \times H9$



F x8
Spec: $\phi 6 \times L8$



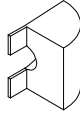
G x5
Spec: $\phi 3.8 \times L32$



H x8
Spec: $\phi 3.5 \times L35$



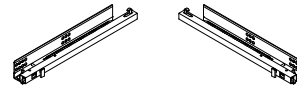
I x12
Spec: $\phi 3.5 \times L16$



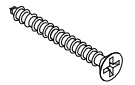
J x12
Spec: H13



K x24
Spec: $\phi 6 \times 30$



L x2
Spec: L400



M x5
Spec: $\phi 3.8 \times L50$



N x24
Spec:



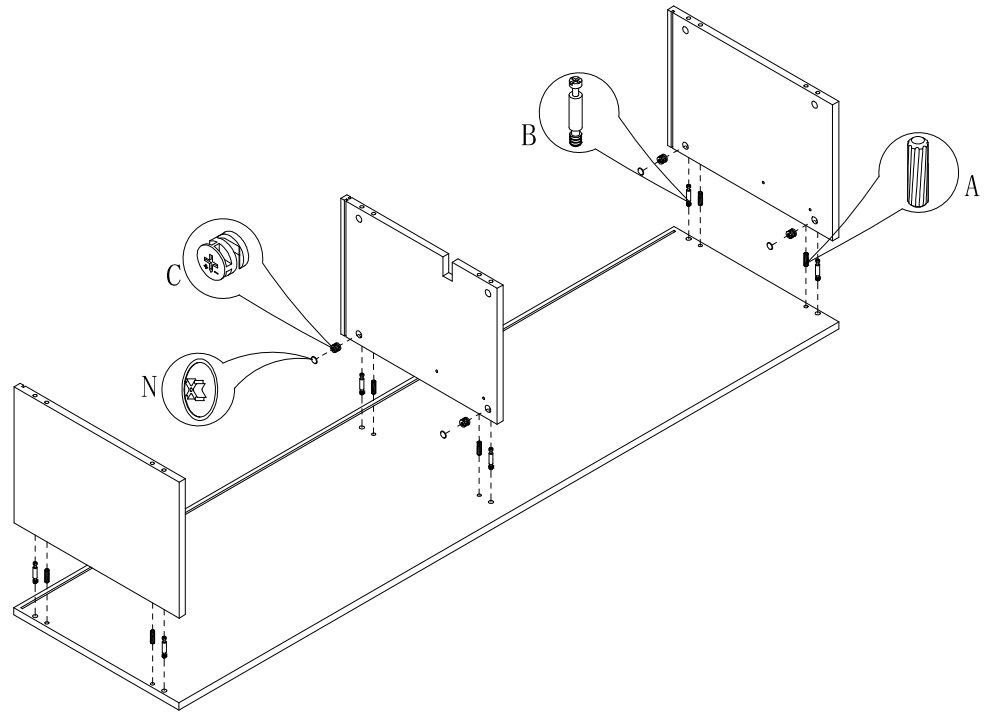
O x5
Spec: $\phi 60 \times 25$



P x8
Spec: $\phi 3.8 \times 16$

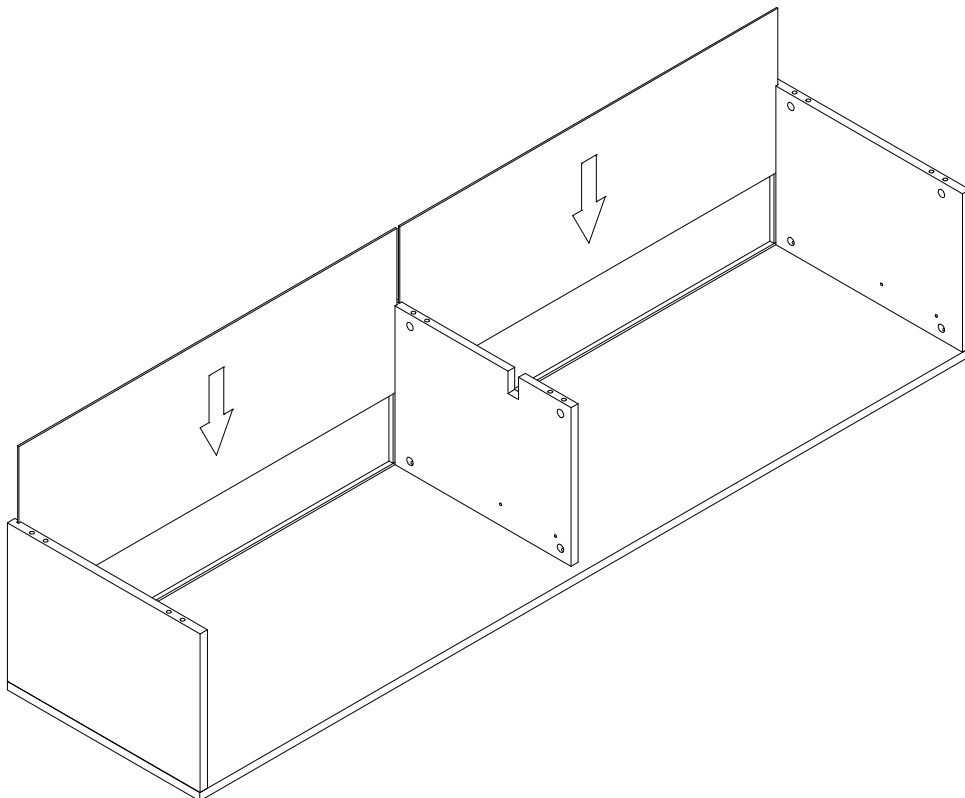


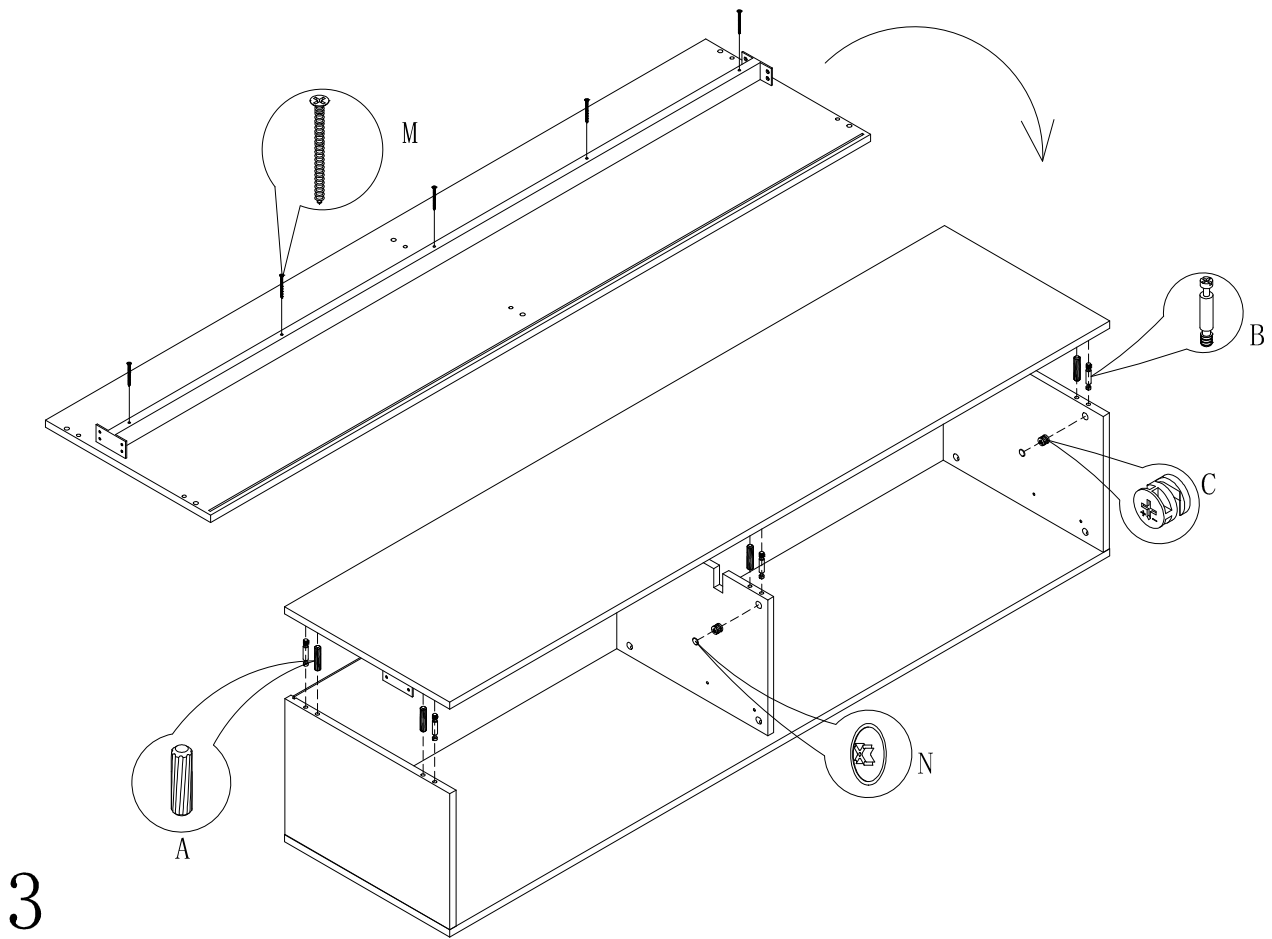
AAA x8
Spec: $\phi 3.8 \times L12$



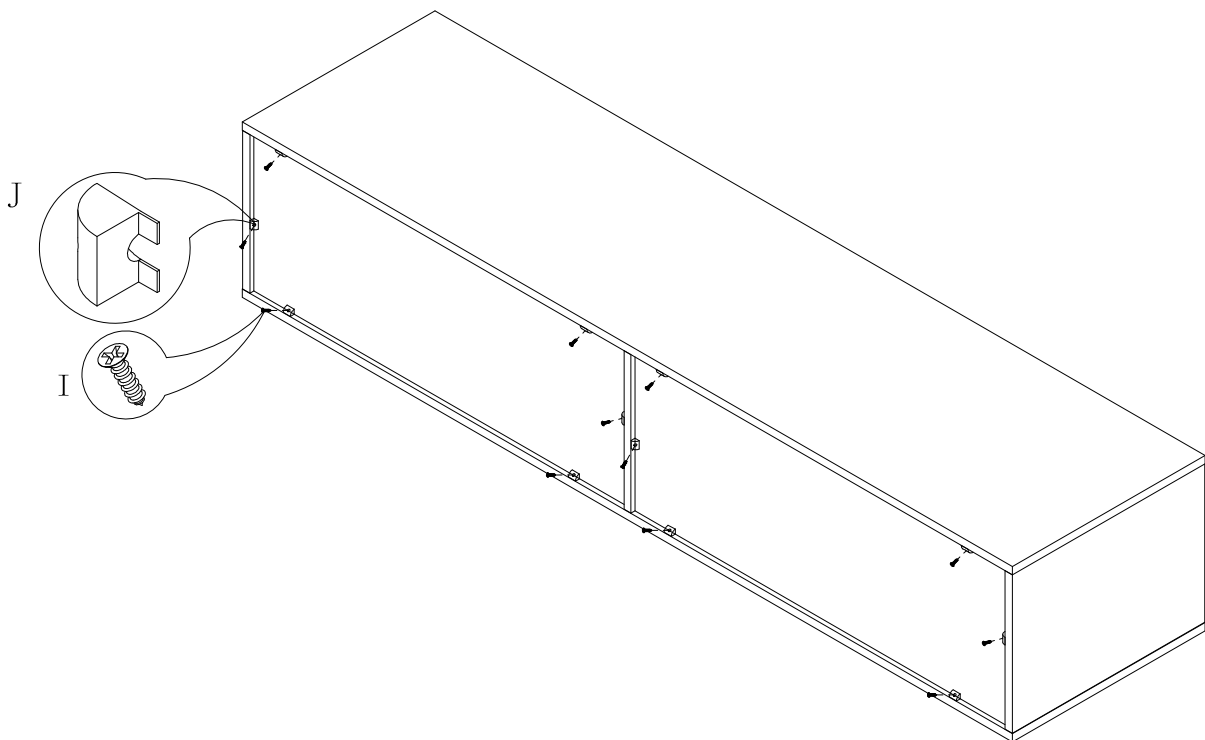
1

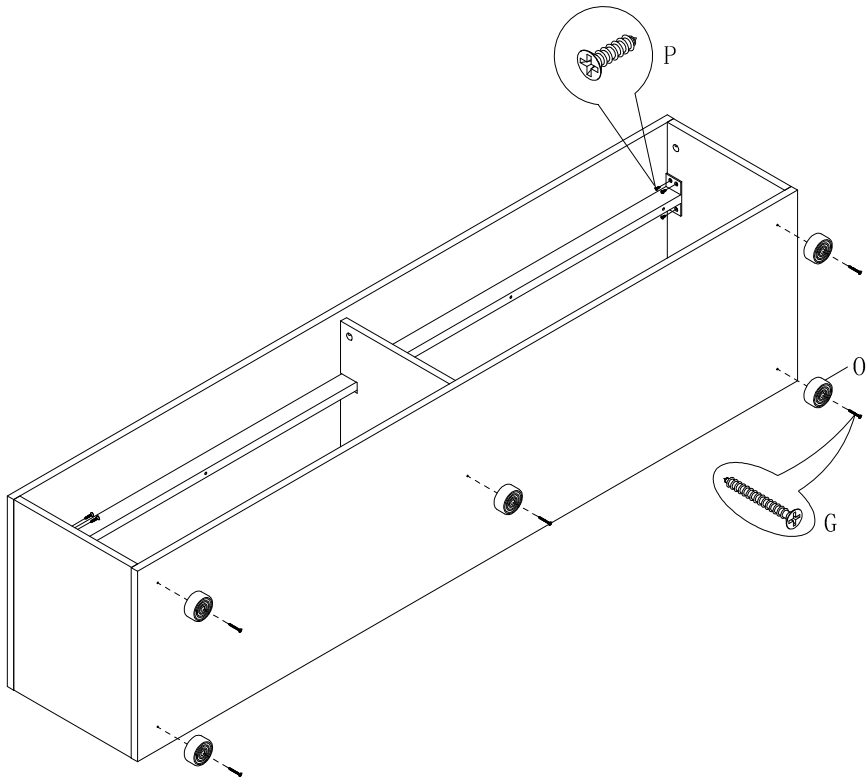
2





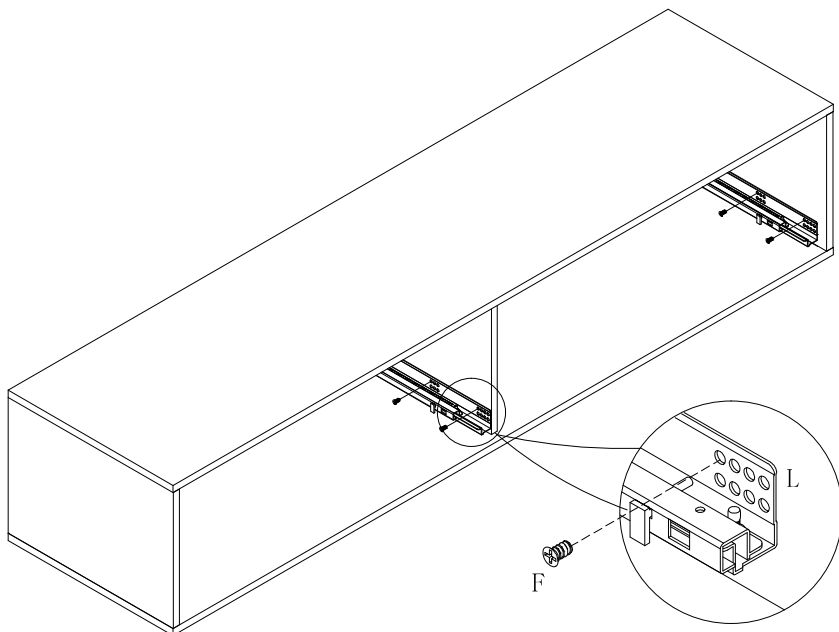
4

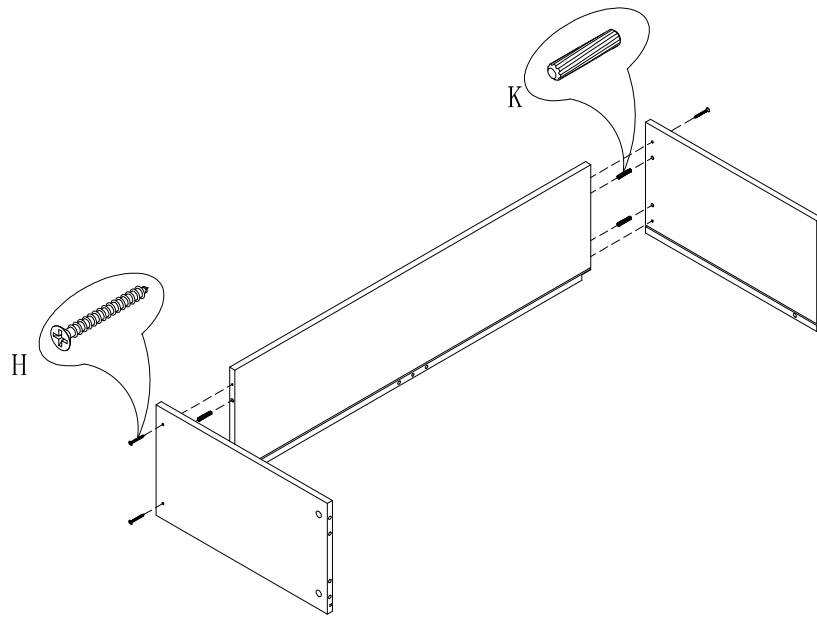




5

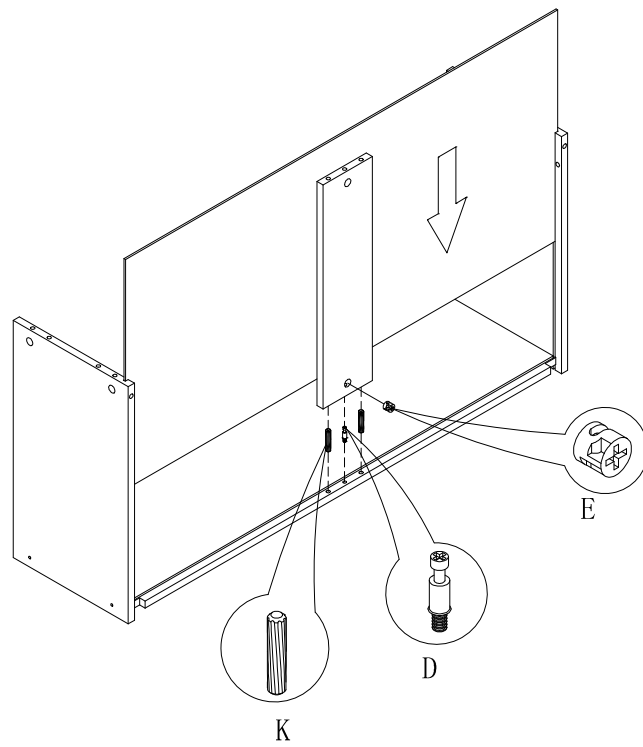
6

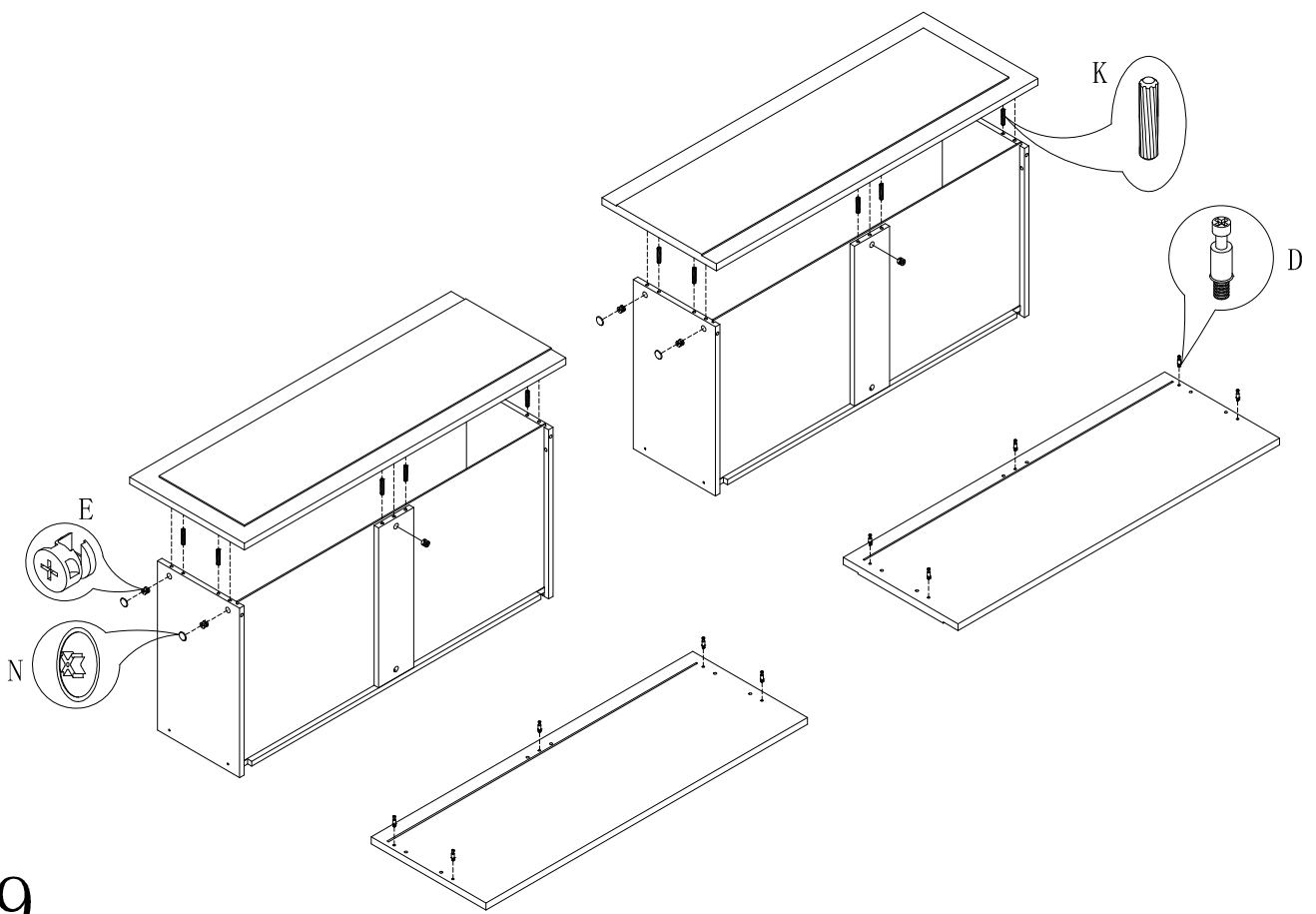




7

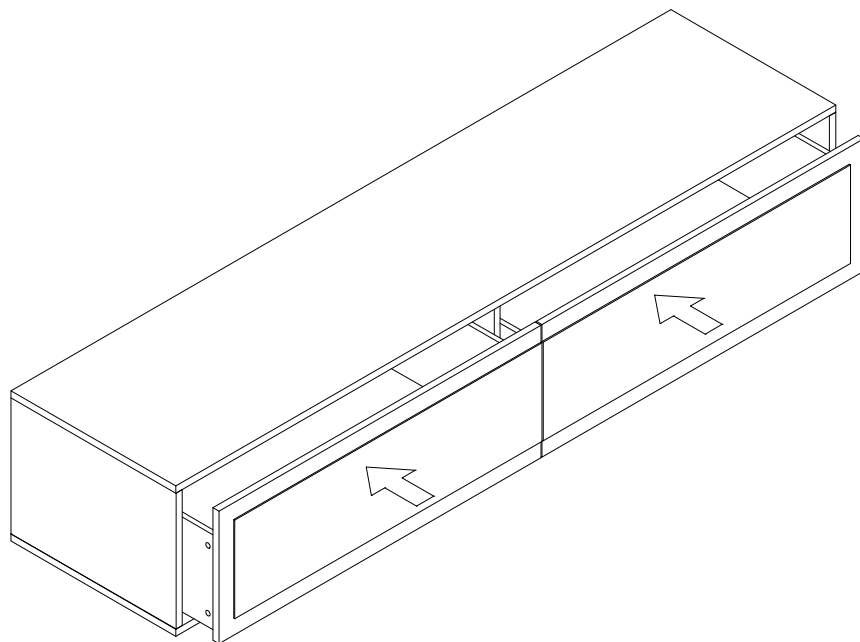
8

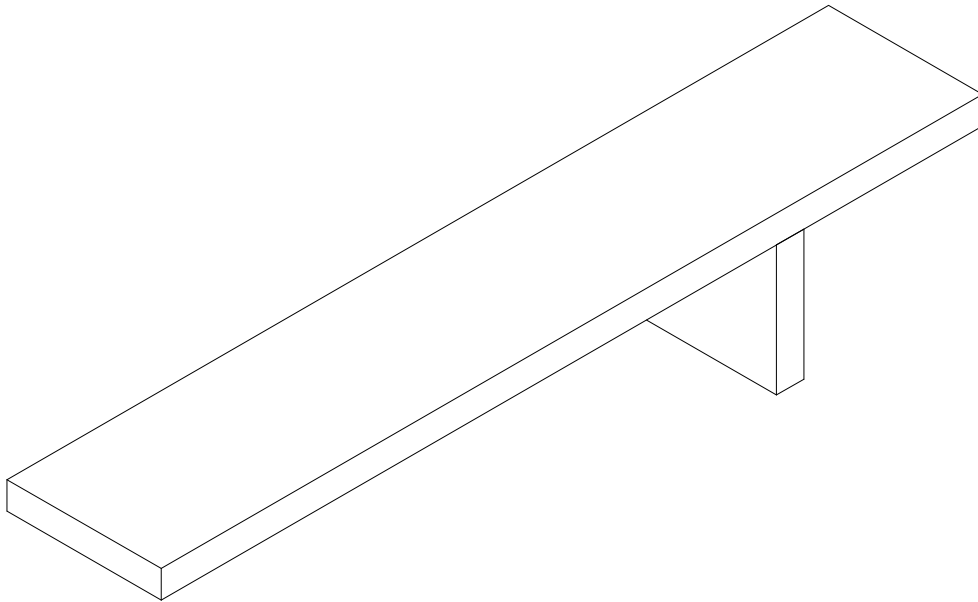


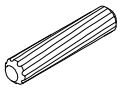
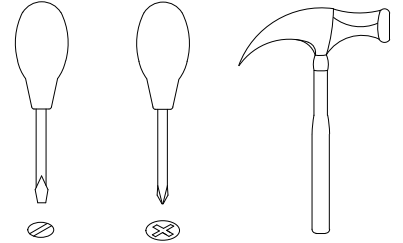
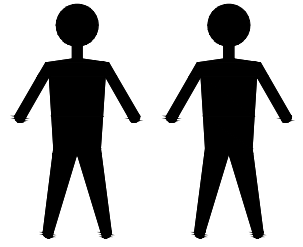


9

10



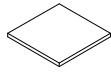




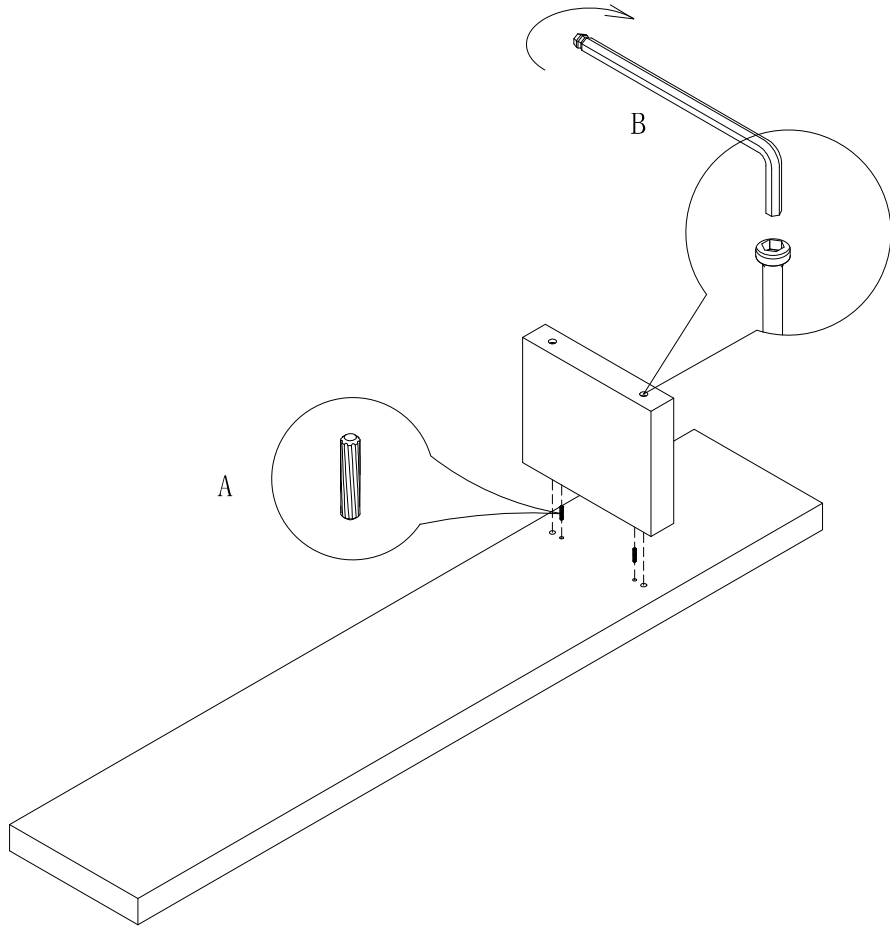
A x2
Spec: $\phi 10 \times 40$



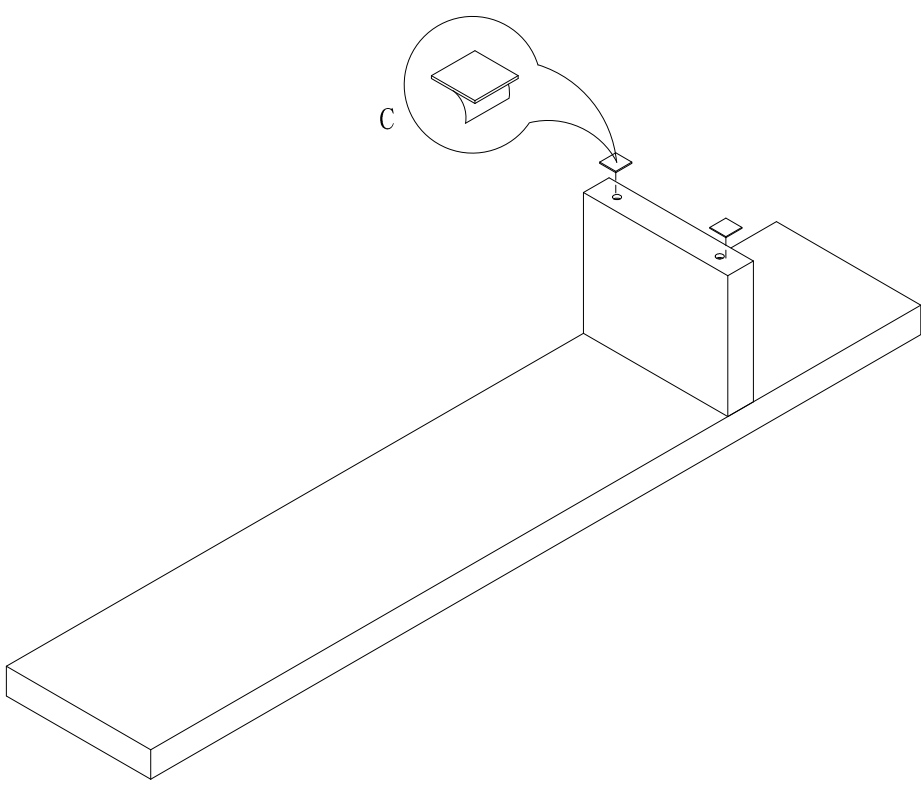
B x1
Spec: 4#

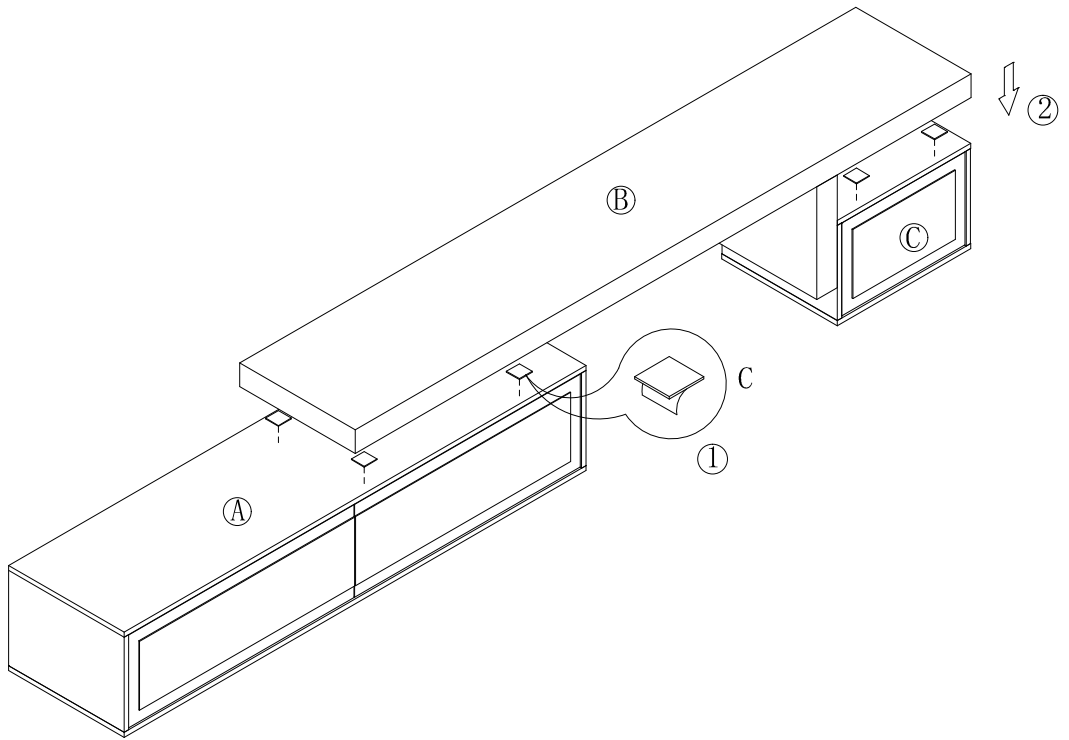


C x10
Spec: 50*50MM



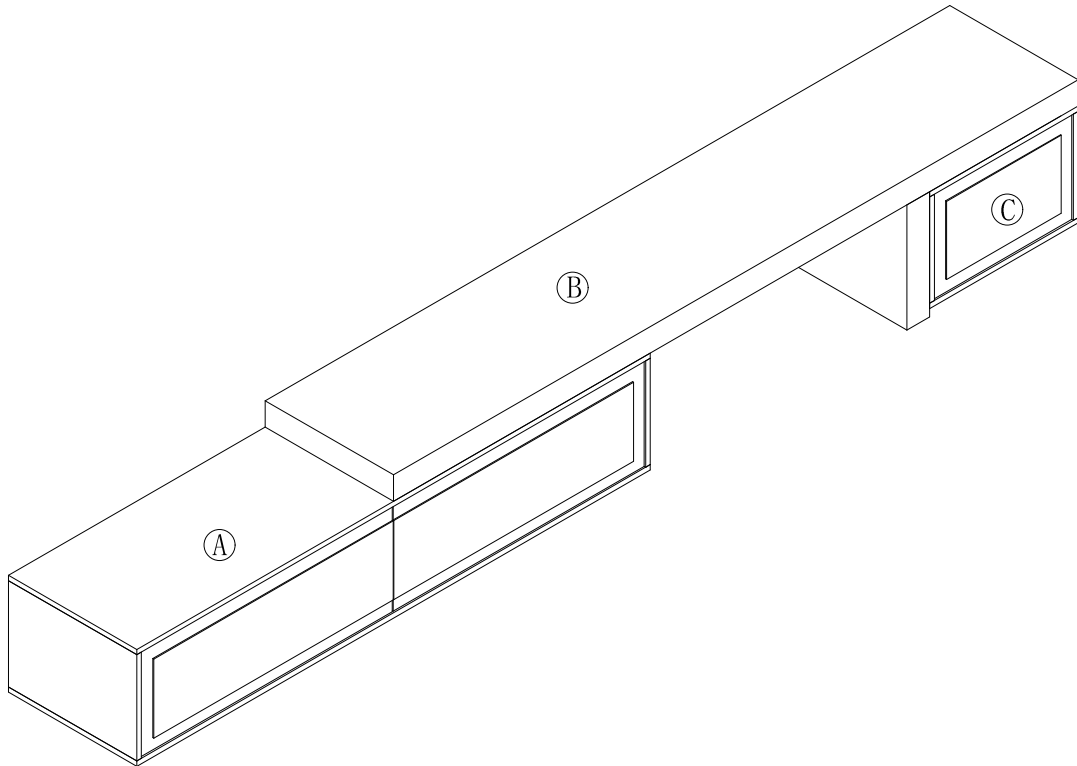
2



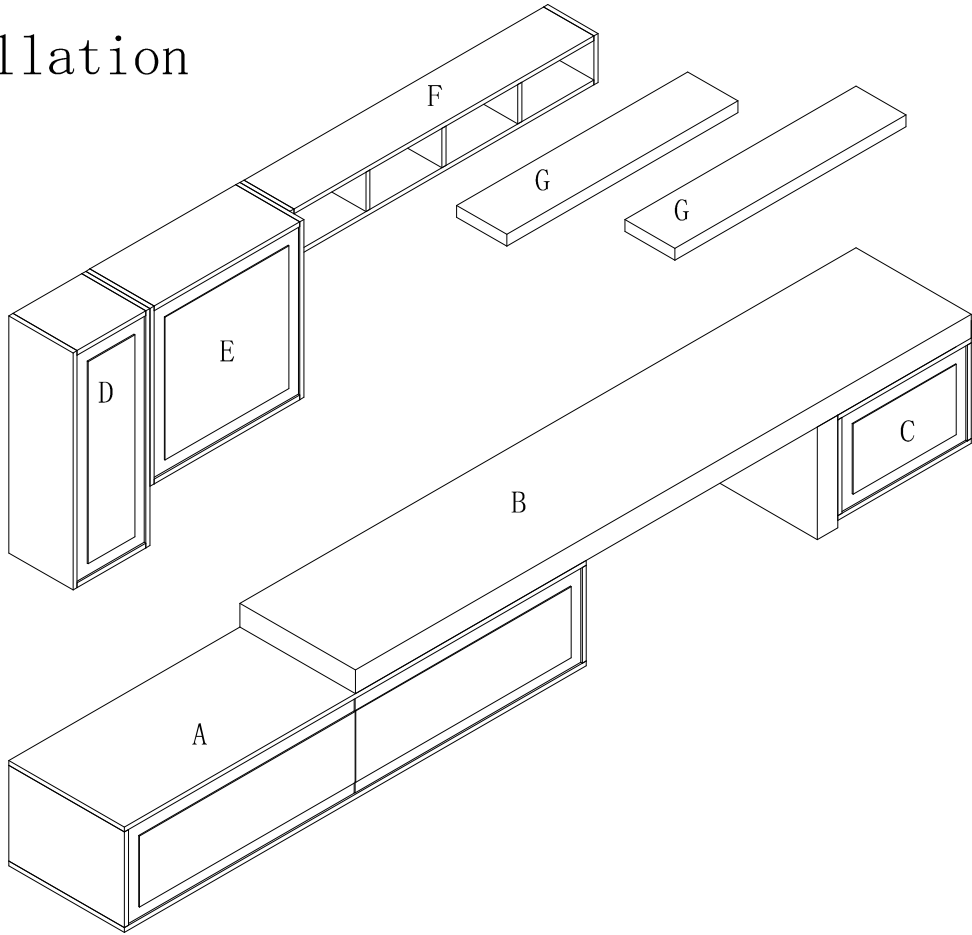


3

4

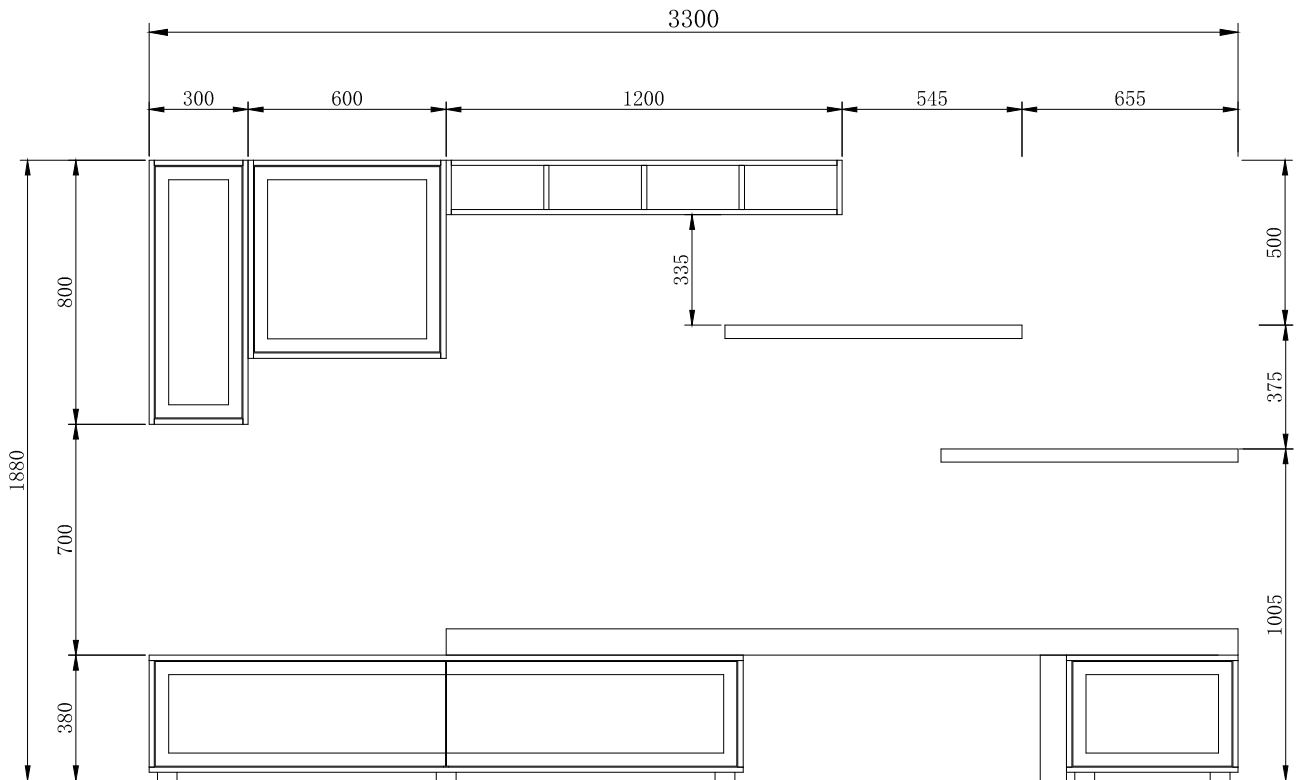


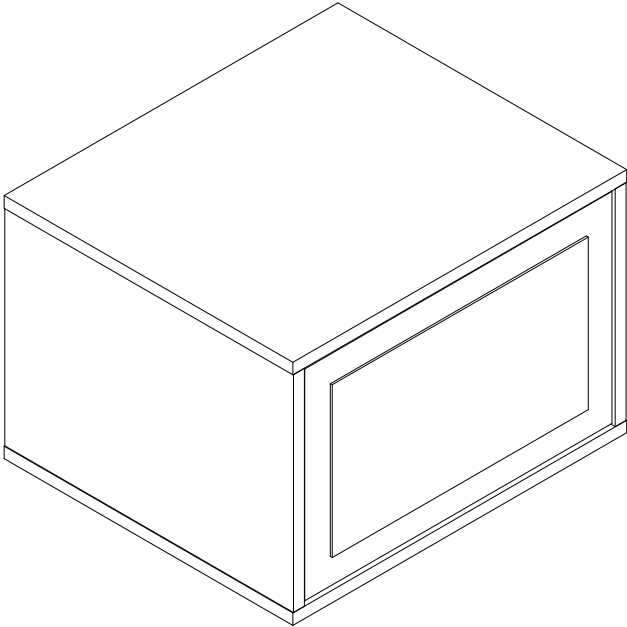
Installation

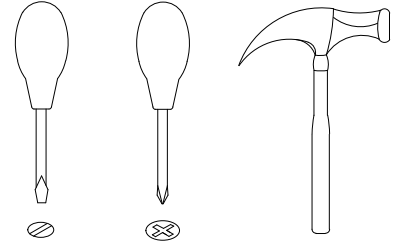
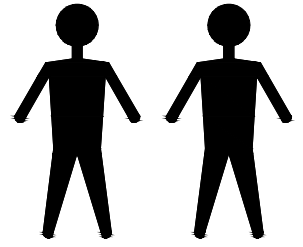


1

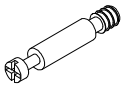
2







A x8
Spec: $\phi 8 \times 30$



B x8
Spec: $\phi 7 \times L30$



C x8
Spec: $\phi 15 \times H12$



D x4
Spec: $\phi 6 \times L28$



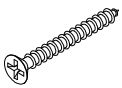
E x4
Spec: $\phi 12 \times H9$



F x4
Spec: $\phi 6 \times L8$



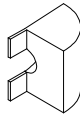
G x4
Spec: $\phi 3.8 \times L32$



H x4
Spec: $\phi 3.5 \times L35$



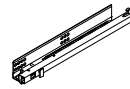
I x6
Spec: $\phi 3.5 \times L16$



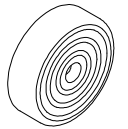
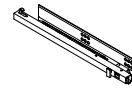
J x6
Spec: H13



K x8
Spec: $\phi 6 \times 30$



L x1
Spec: L400



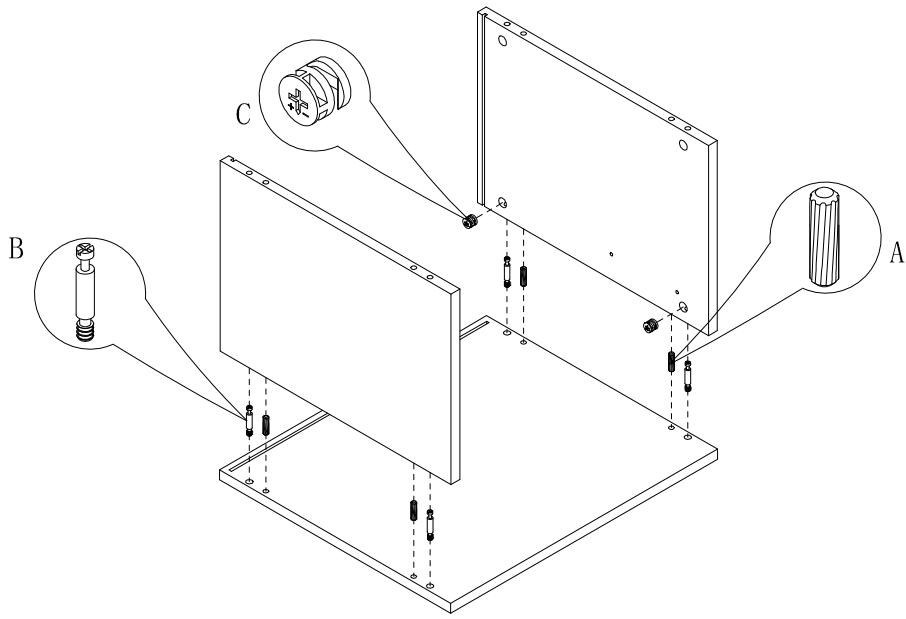
M x4
Spec: $\phi 60 \times 25$



N x12
Spec:

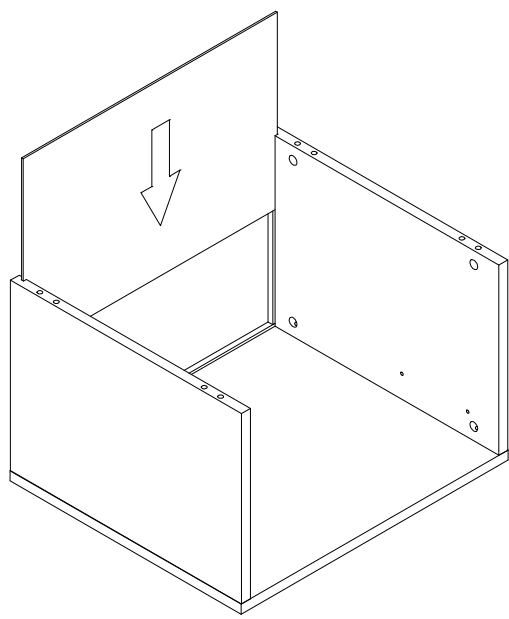


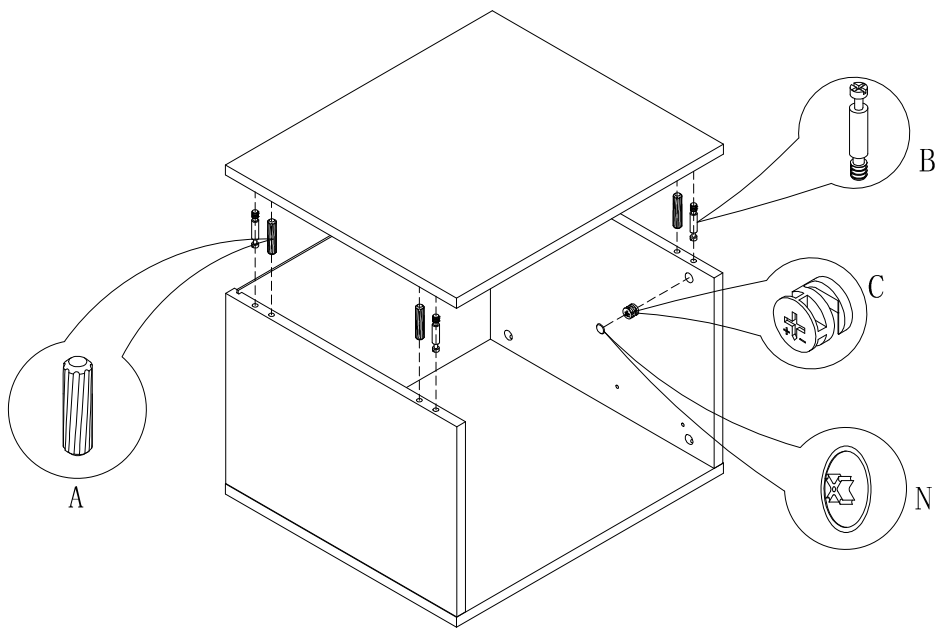
AAA x4
Spec: $\phi 3.8 \times L12$



1

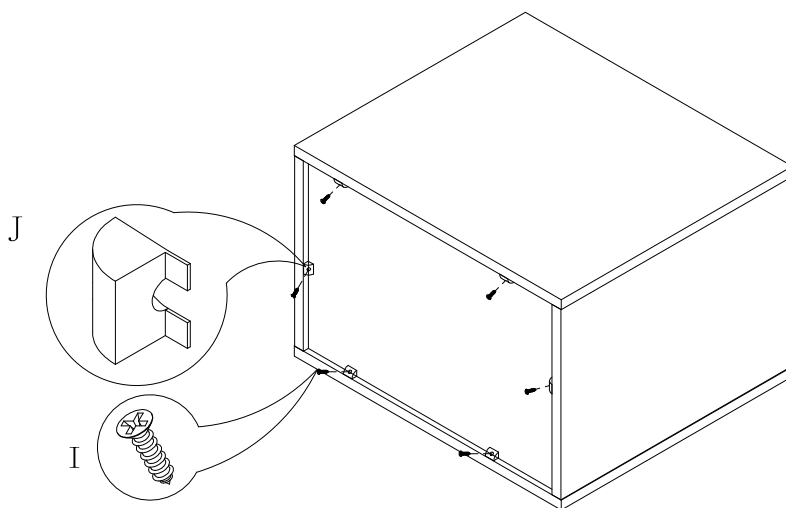
2

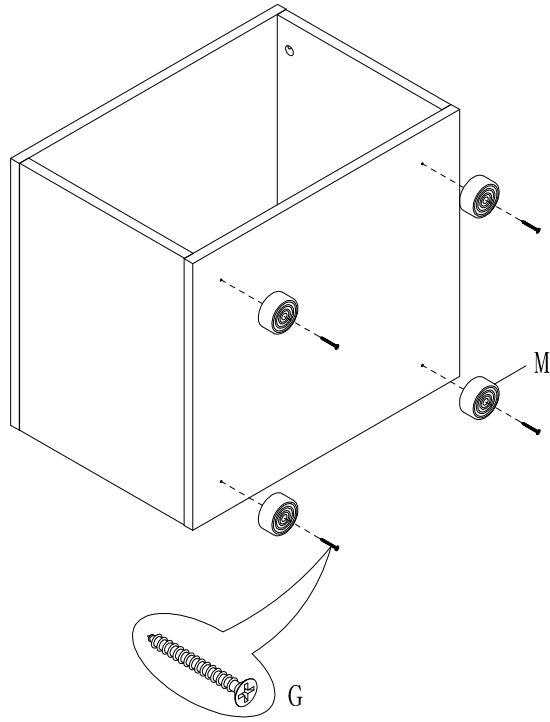




3

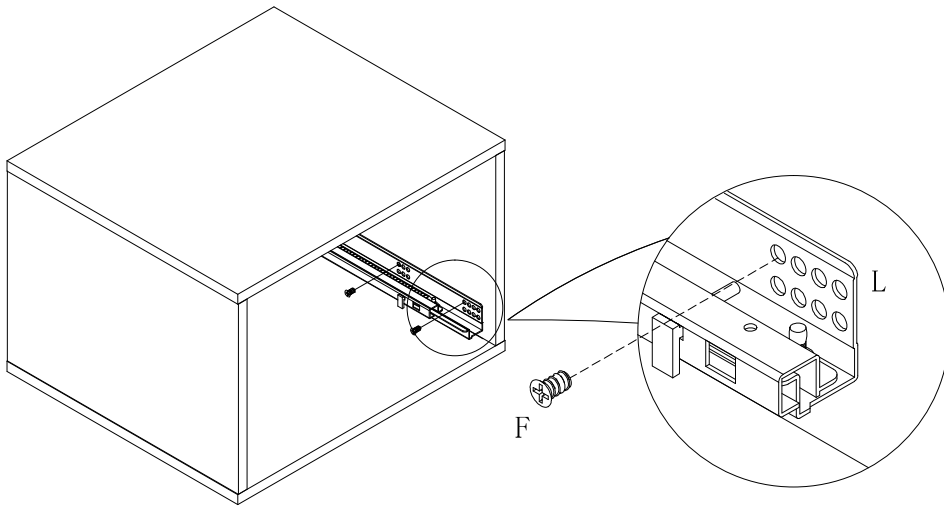
4

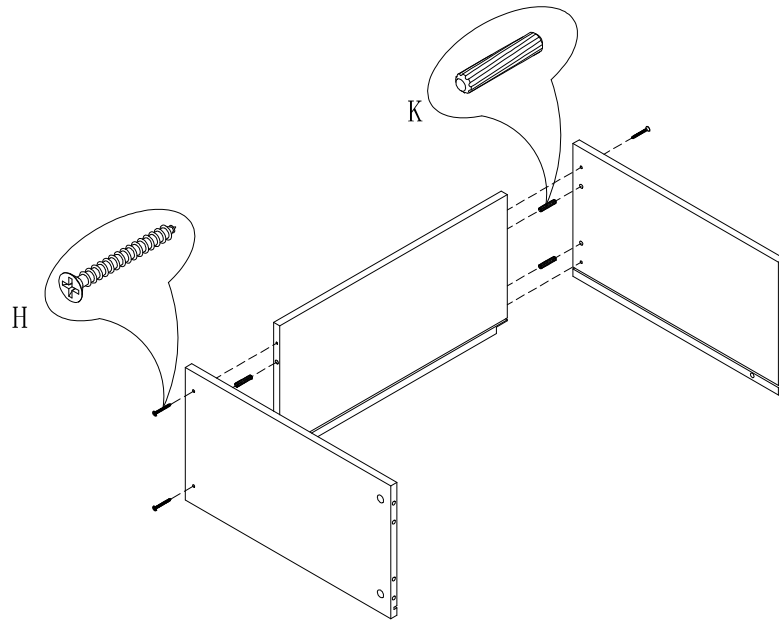




5

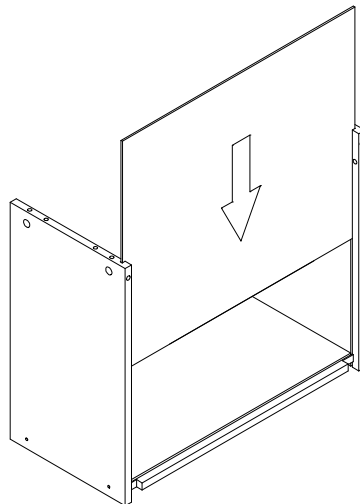
6

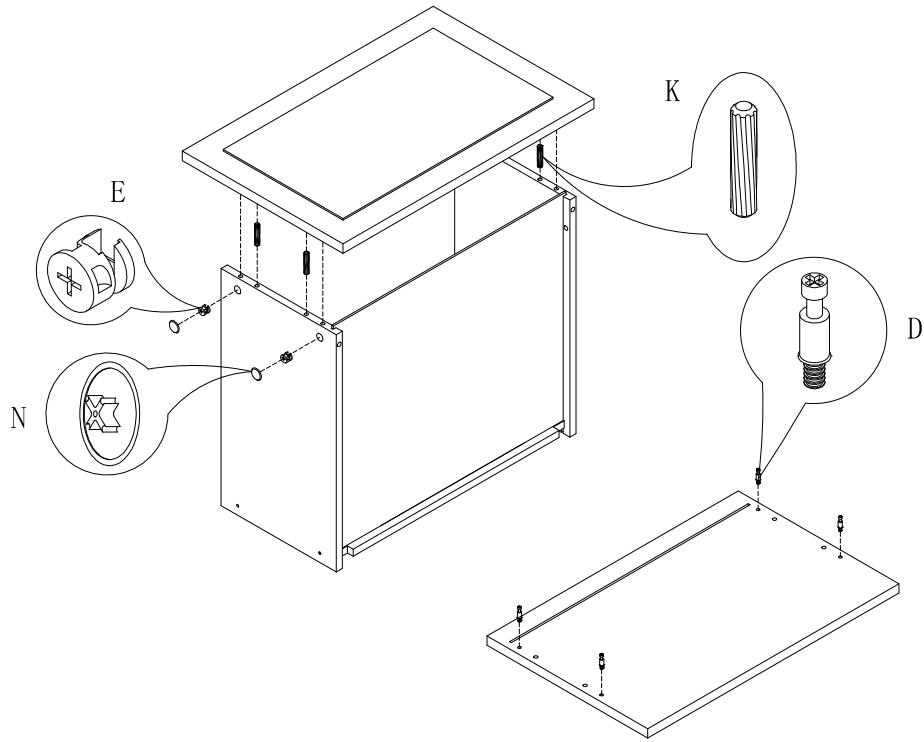




7

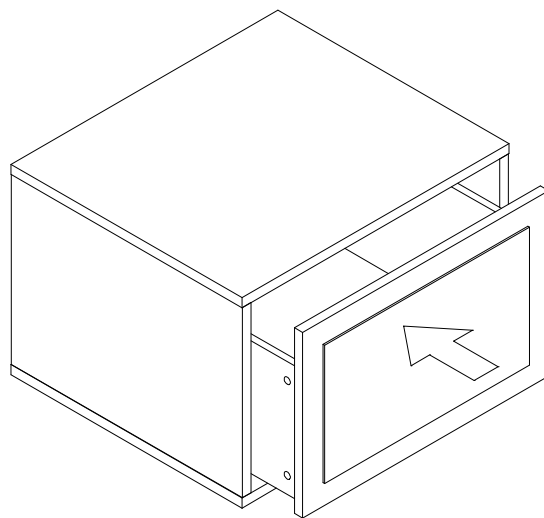
8



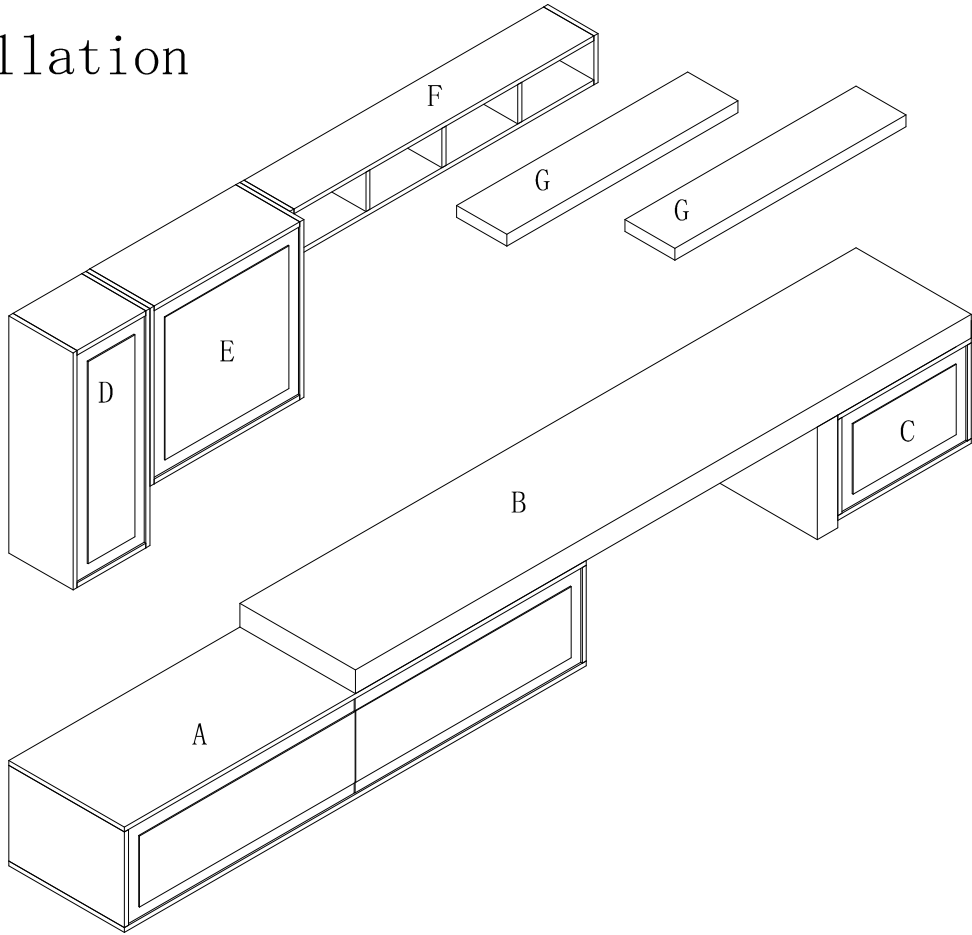


9

10



Installation



1

2

